

ASSEMBLY INSTRUCTION






STEP ONE FURNITURE

STOF 5/0 STORAGE FOOTBOARD + SLATS STOF 5/0 SIDE RAIL

HD1672 - 494

HD1672 - 511

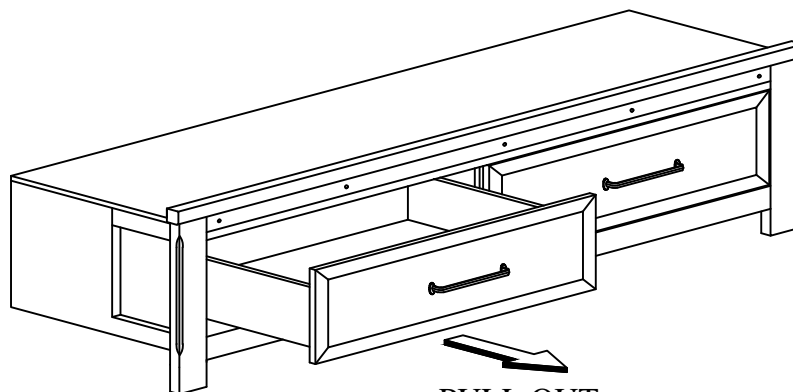
Thank you for purchasing this quality product. Be sure to check all packing material carefully for small parts, which may have come loose inside the carton during shipment. Identify and count all parts and compare with the parts list below:

Hardware List	No.	Picture	Description	Dimension	Qty
	①		JCBC (M8)	M8 x P1.25 x 25mm	8 Pcs
	②		Spring Washer	M8	8 Pcs
	③		Washer	M8	8 Pcs
	④		Allen Key (M5)	5 x 65mm	1 Pc
	⑤		Screw 1/4 P/H Rattan 8 x 1	M8 x 32mm	10 Pcs
Part List	No.	Description			Qty
	A	Storage Footboard			1 Pc
	B	Roll Slats (5 Pcs)			2 Sets
	C	Slat Support			4 Pcs
	D	Side Rails			2 Pcs

* Hardware Packed Inside Storage Footboard .

Assembly Step

STEP 1



PULL OUT
THE DRAWERS

ASSEMBLY TIPS:

1. Remove hardware from box and sort by size.
2. Please check to see that all hardware and parts are present prior start of assembly.
3. Please follow attached instructions in the same sequence as numbered to assure fast and easy assembly.

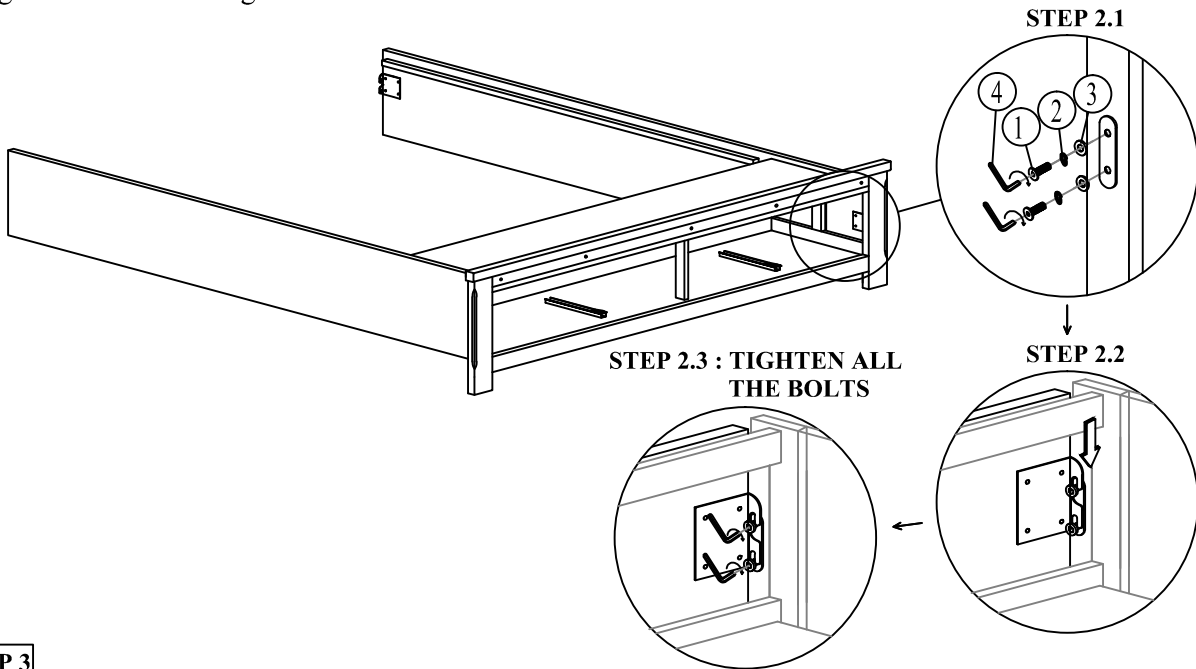
⚠ WARNING!

1. Don't attempt to repair or modify parts that are broken or defective. Please contact the store immediately.
2. This product is for home use only and not intended for commercial establishments.

Assembly Step

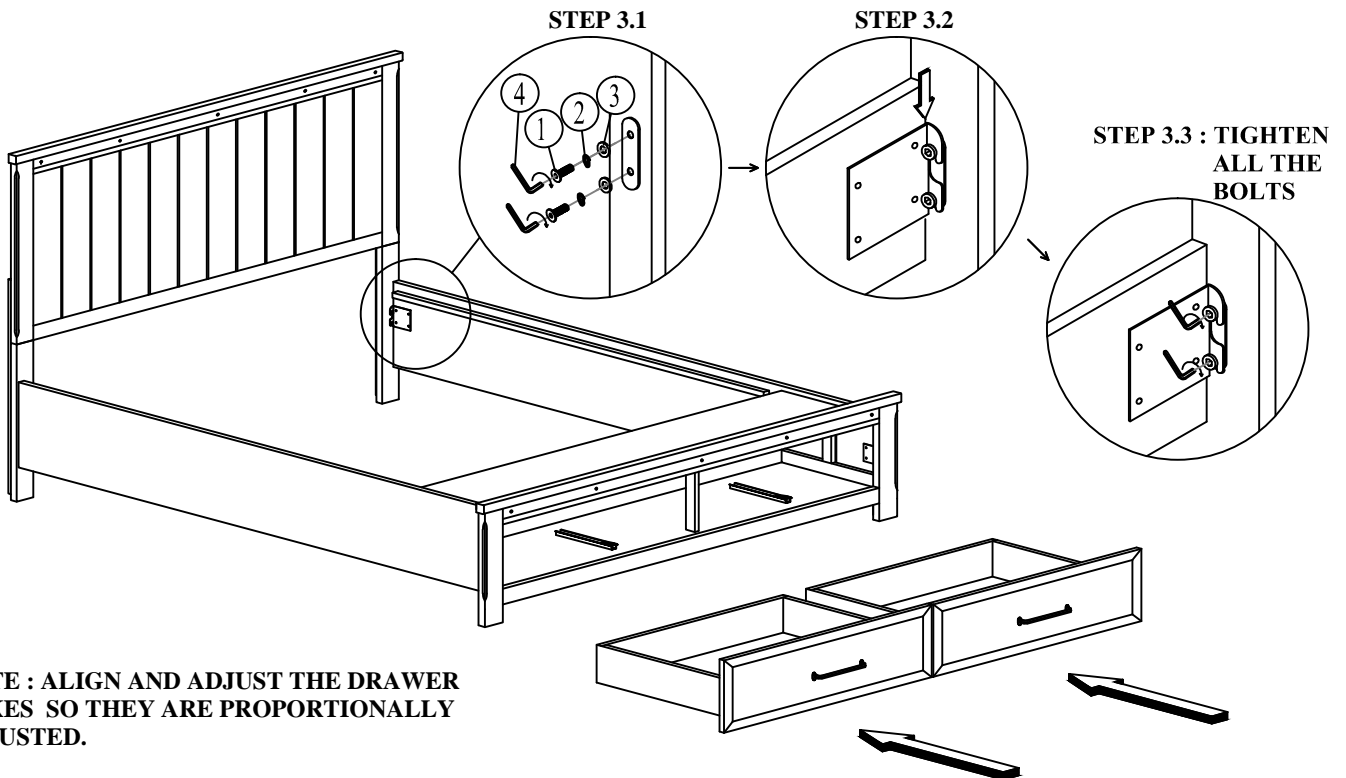
STEP 2

Hang Side Rails at Storage Footboard as shown .



STEP 3

Hang Side Rails at Panel Headboard as shown .



NOTE : ALIGN AND ADJUST THE DRAWER BOXES SO THEY ARE PROPORTIONALLY ADJUSTED.

ASSEMBLY TIPS:

1. Remove hardware from box and sort by size.
2. Please check to see that all hardware and parts are present prior start of assembly.
3. Please follow attached instructions in the same sequence as numbered to assure fast and easy assembly.

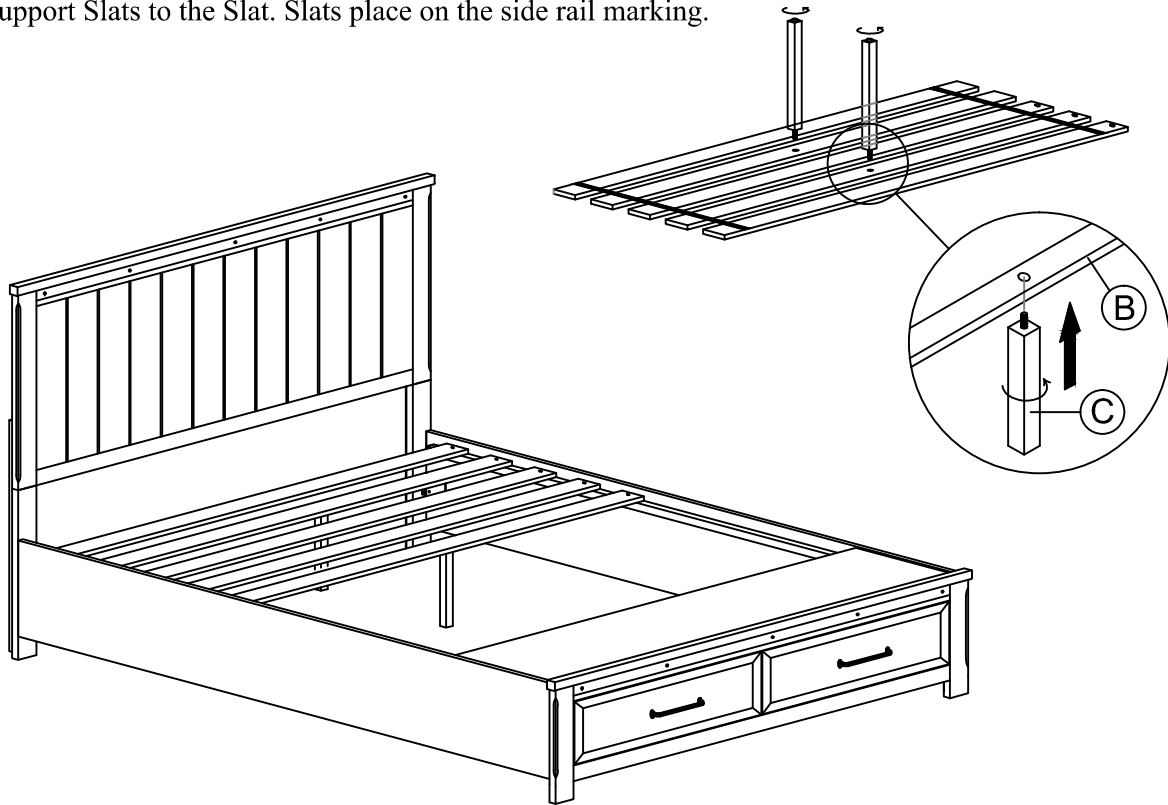
⚠ WARNING!

1. Don't attempt to repair or modify parts that are broken or defective. Please contact the store immediately.
2. This product is for home use only and not intended for commercial establishments.

Assembly Step

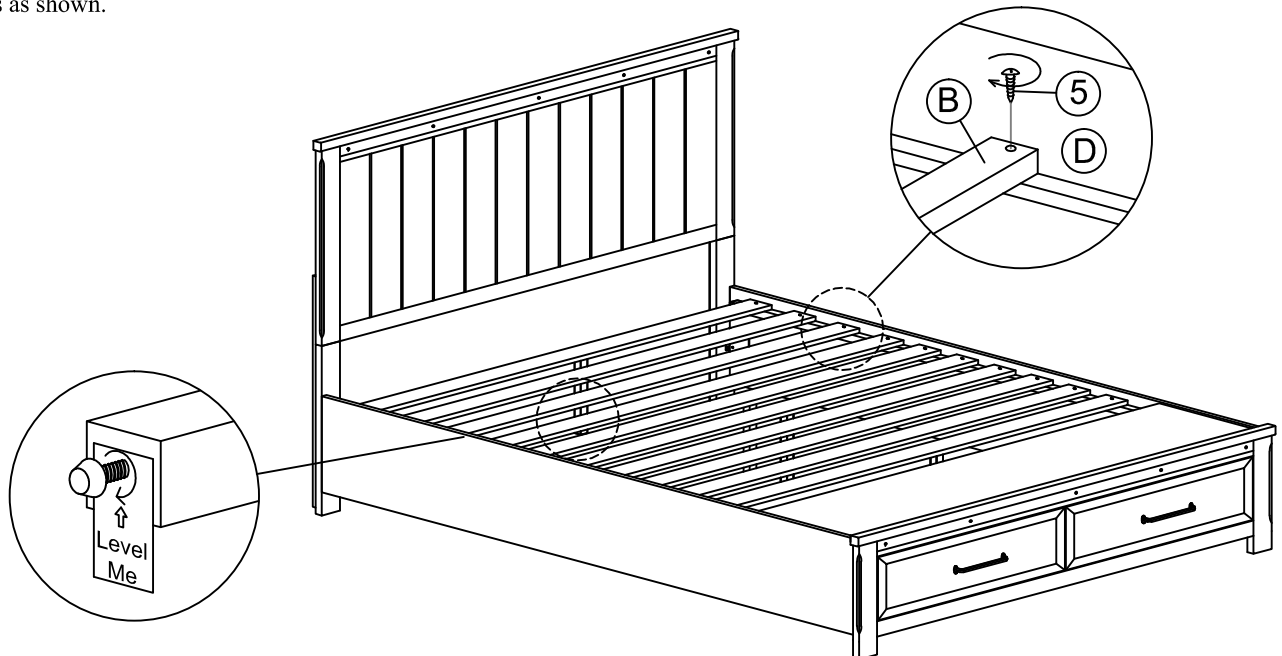
STEP 4

Fasten Support Slats to the Slat. Slats place on the side rail marking.



STEP 5

Fix Slats as shown.



ASSEMBLY TIPS:

1. Remove hardware from box and sort by size.
2. Please check to see that all hardware and parts are present prior start of assembly.
3. Please follow attached instructions in the same sequence as numbered to assure fast and easy assembly.

⚠ WARNING!

1. Don't attempt to repair or modify parts that are broken or defective. Please contact the store immediately.
2. This product is for home use only and not intended for commercial establishments.