





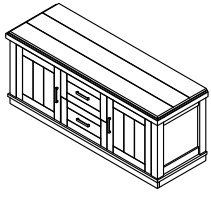
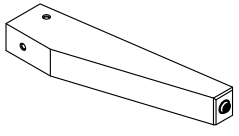
# Assembly Instruction Instructions d'assemblage

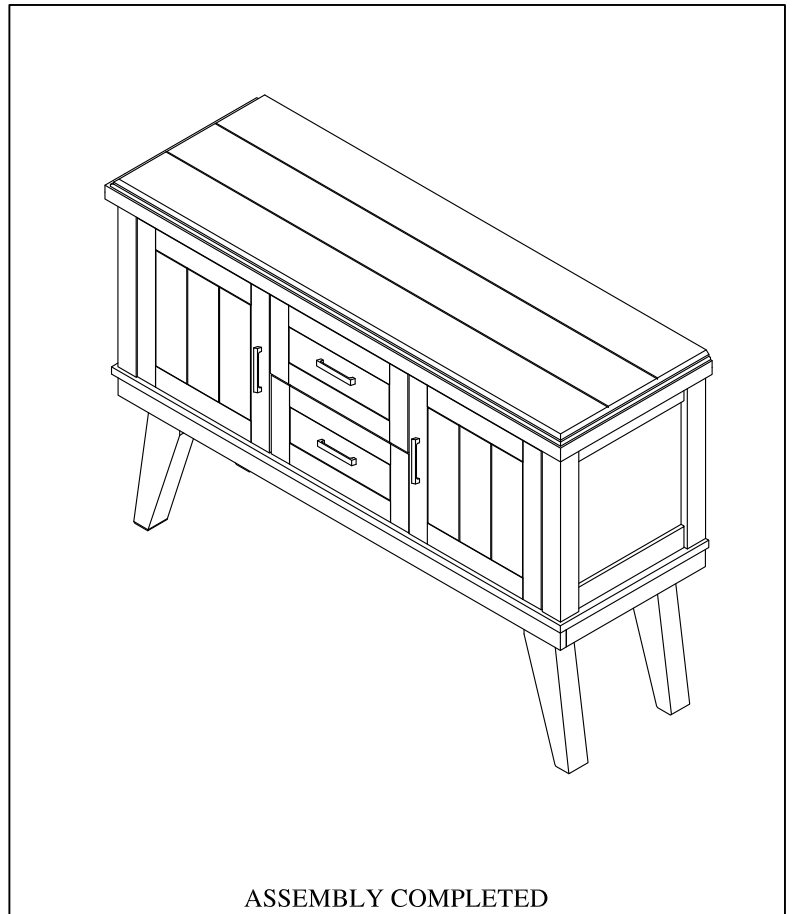
HOUS

1105/6105-5418 SIDE BOARD

SKU# 42961056

Step	Code	Hardware	Q'TY
1	C	Long Bolt Ø5/16" x 50 mm 	8 PCS
1	D	Spring Washer Ø5/16" x 12 mm 	8 PCS
1	E	Flat Washer Ø5/16" x 19 mm 	8 PCS
1	F	Allen Key 58x23x4 mm 	1 PC
2	G	Screw (3.5 x 25mm) 	2 PCS
2	H	Screw (3.5 x 16mm) 	2 PCS
2	I	Wall Mounts 	2 PCS
3	J	Mounting Plates 	2 PCS
4	K	Secure Band 	1 PC

	PART LIST	QTY'
A	Side board 	1 PC
B	Leg Left and Right 	4 PCS



**Hardware Pack Location(s):**

1105/6105-5418 SIDE BOARD

SKU# 42961056

# Assembly Instruction Instructions d'assemblage

HOUS

1105/6105-5418 SIDE BOARD

SKU# 42961056

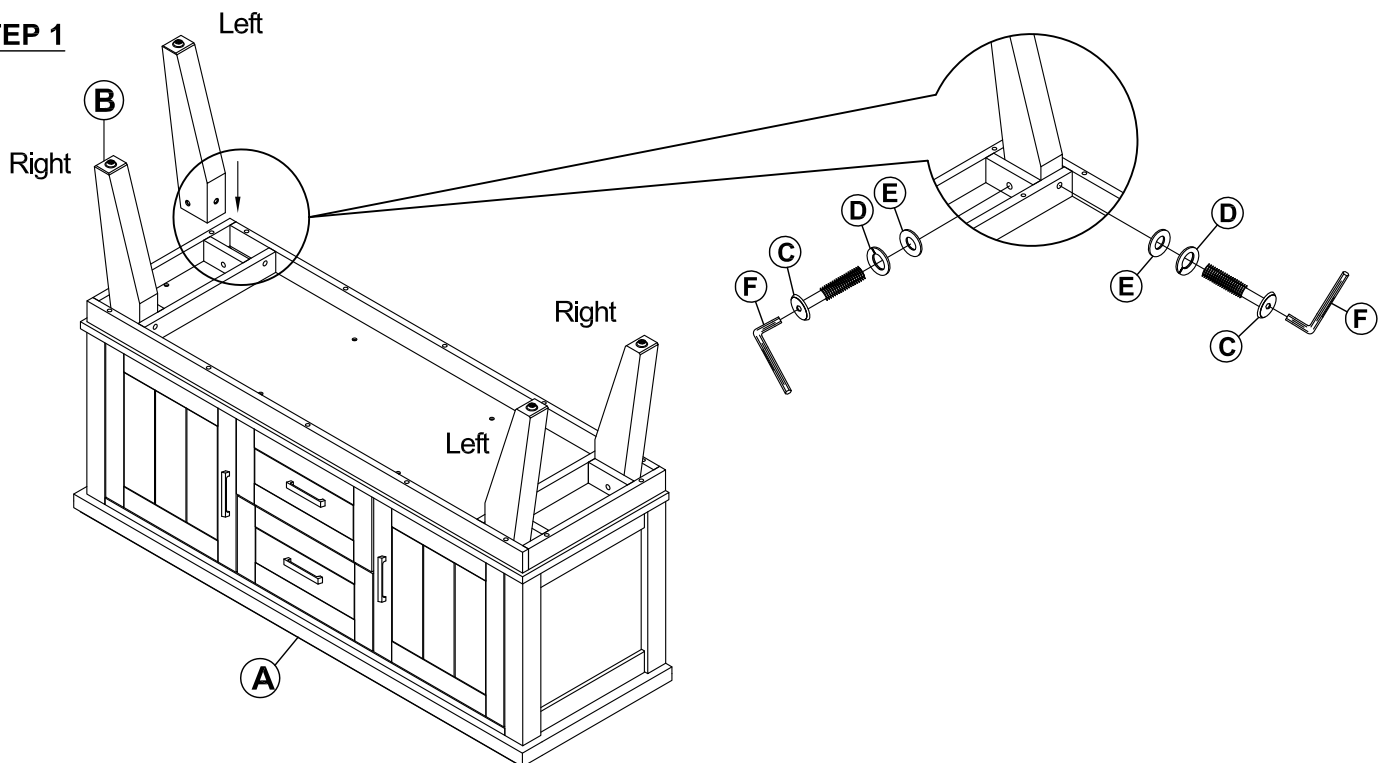
\*\*\*Caution: Please read all instructions carefully before starting the assembly process. These parts are cumbersome and heavy. Therefore, two people are recommended in order to prevent personal injury and insure the parts are not damaged during the assembly.

Please make sure anti-topping hardware be assembled before using.

\*\*\*Avertissement: veuillez lire toutes les instructions attentivement avant de commencer l'assemblage. Ces pièces sont encombrantes et lourdes. Il est recommandé d'être deux personnes pour l'assemblage afin de prévenir des blessures et/ou risquer d'endommager les pièces.

\*\*\*S'il vous plaît assurez-vous que le matériel anti-nappage être assemblé avant d'utiliser .

## STEP 1



## STEP 2

