

# ASSEMBLY INSTRUCTIONS





MODEL : HD1688 - 422 - MIRROR

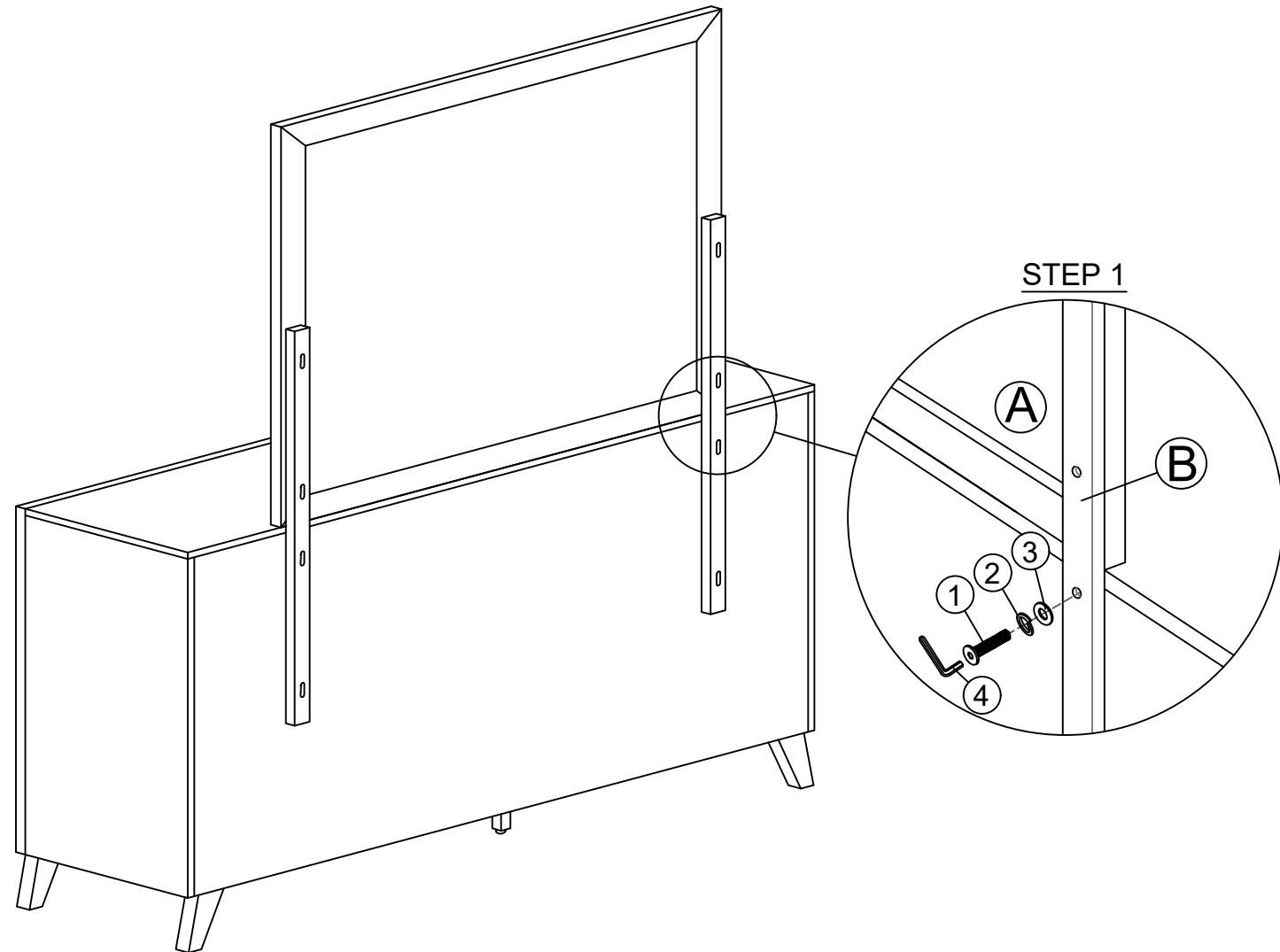
DOC. NO : RD-F05-AT  
REV. NO : A  
REV. DATE : 01.01.2017

## COMPONENT LIST

NO.	Descriptions	Qty.
A	MIRROR	1
B	MIRROR SUPPORT RAIL (Packed Inside Mirror)	2

## HARDWARE LIST (Packed Inside Mirror)

No.	Description	Dimension	Picture	Qty.
1	JCBC Bolt	M6 x 1.0 x 35MM		8
2	Spring Washer	M6		8
3	Flat Washer	M6		8
4	Allen Key	4 x 60MM		1



### ASSEMBLY TIPS:

- 1.Remove hardware from box and sort by size.
- 2.Please check to see that all hardware and parts are present prior start of assembly.
- 3.Please follow attached instructions in the same sequence as numbered to assure fast and easy assembly.

### Warning!

- 1.Don't attempt to repair or modify parts that are broken or defective.Please contact the store immediately.
- 2.This product is for home use only and not intended for commercial establishments.

### STEP 1

Attach the Mirror Support Rail (B) to the back of Mirror (A).  
Secured the Mirror Support Rail (B) by using Flat washer (3), Spring washer (2) and JCBC bolt (1) using Allen key provided.