



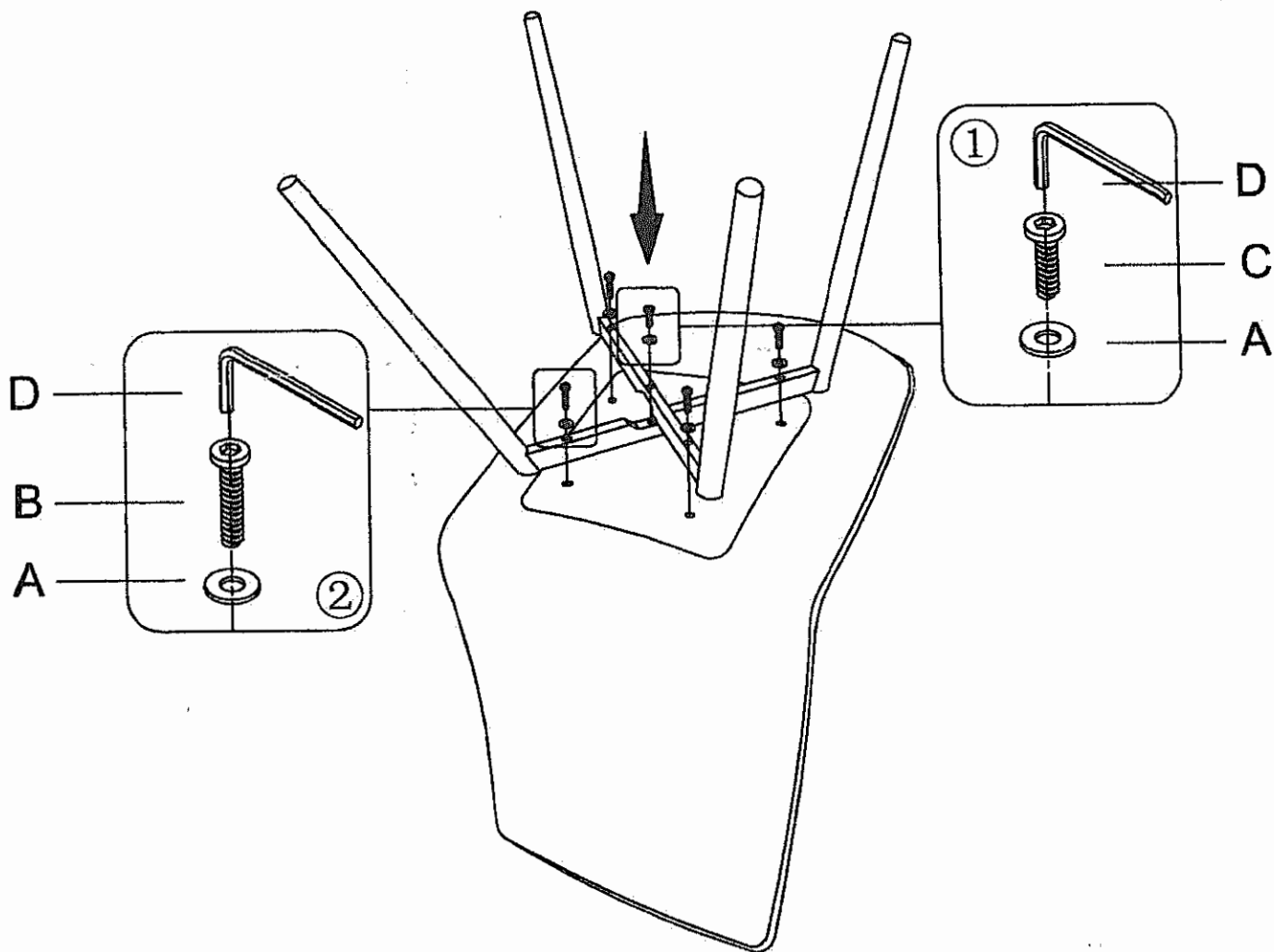


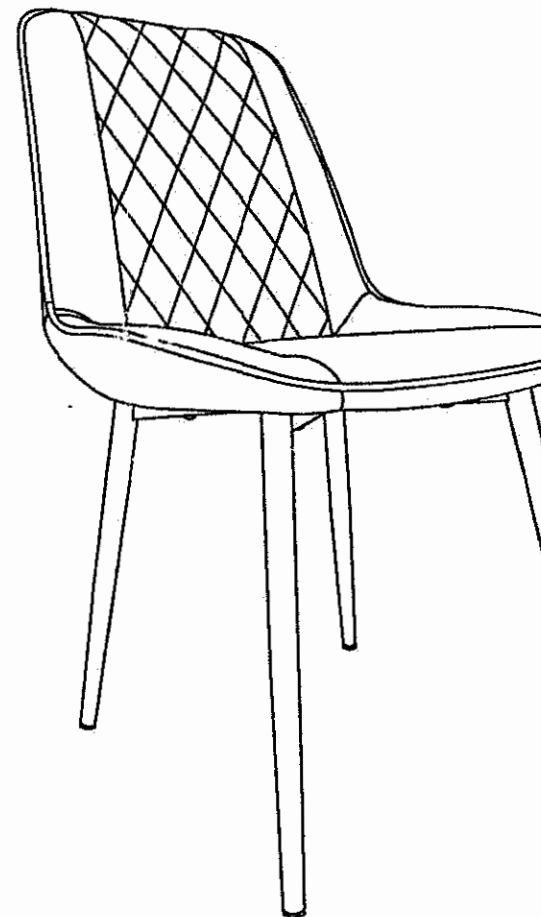
ASSEMBLY INSTRUCTION

A  x5 Ø6*Ø16*1.2mm	B  x4 M6*50mm	C  x1 M6*35mm	D  x1 #5
--	---	---	---

1.



2.



AC533