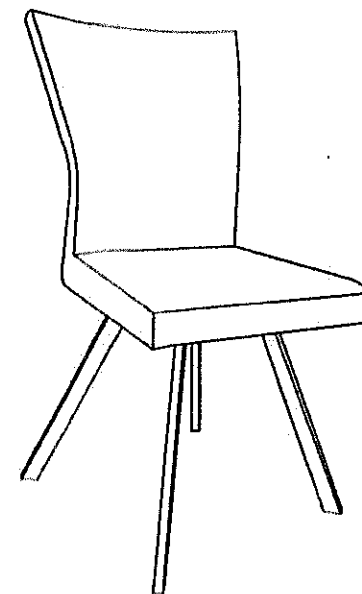
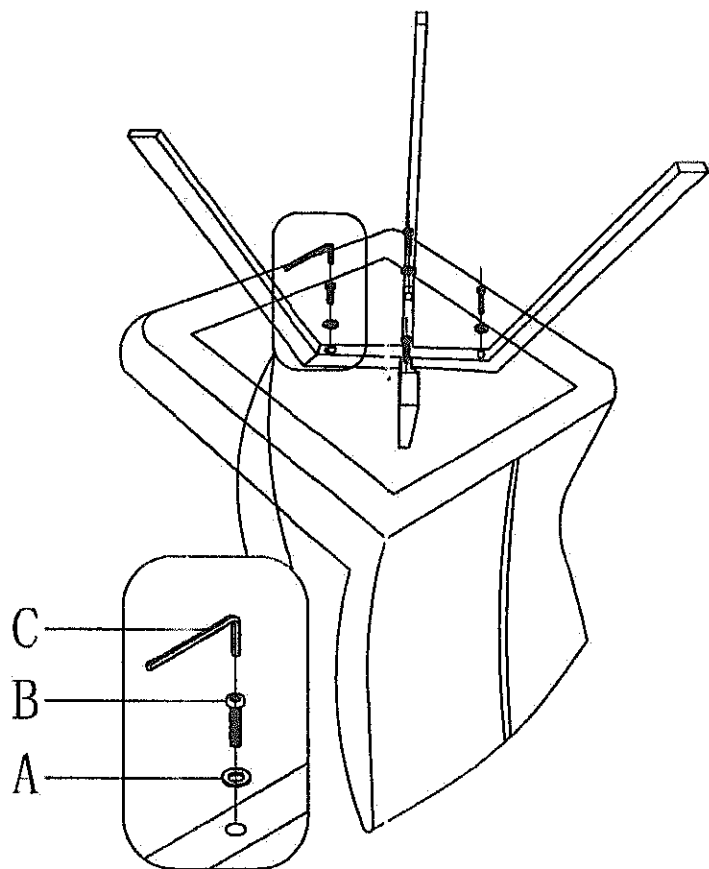

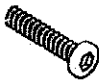



STEP1



AC395

A		4
B		4
C		1