

ASSEMBLY INSTRUCTIONS

MODEL : HD2103-492 / HD2103-510

DESCRIPTION : QUEEN HEADBOARD & FOOTBOARD, 5 + 5 / KING/QUEEN SIDE RAILS

Component List

Headboard & Footboard

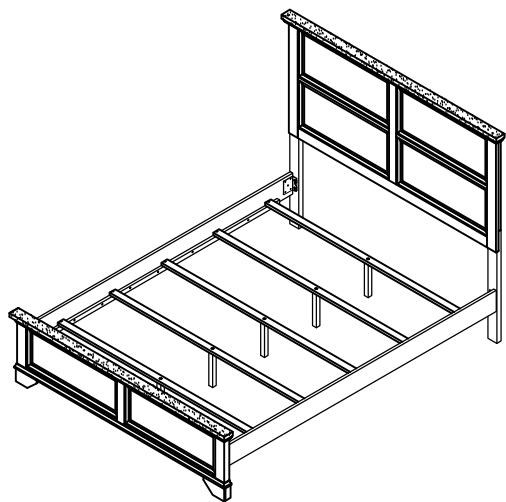
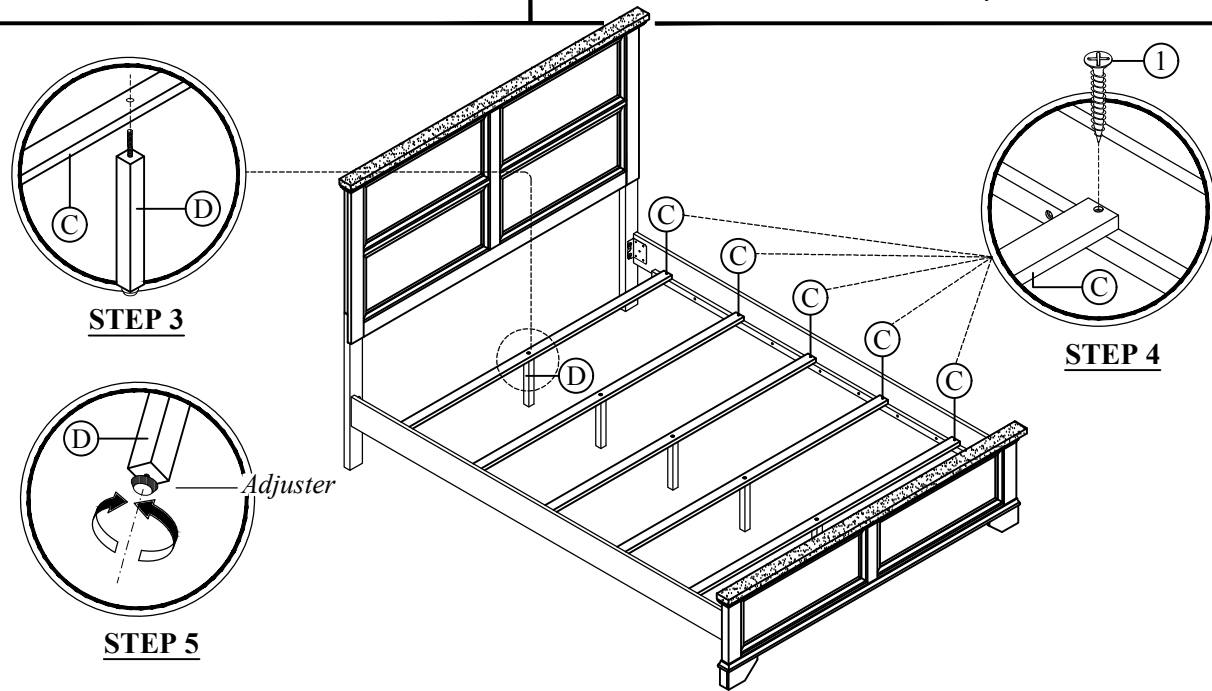
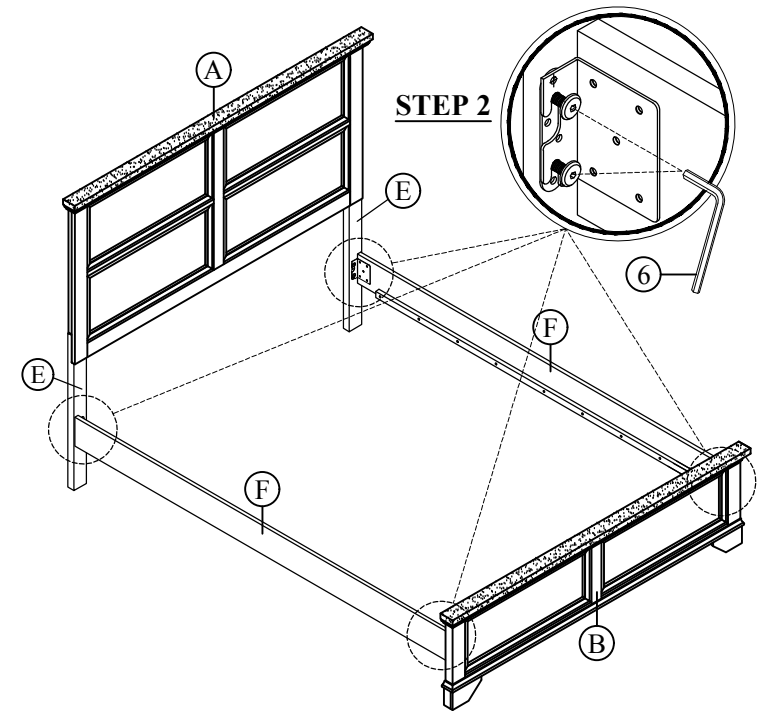
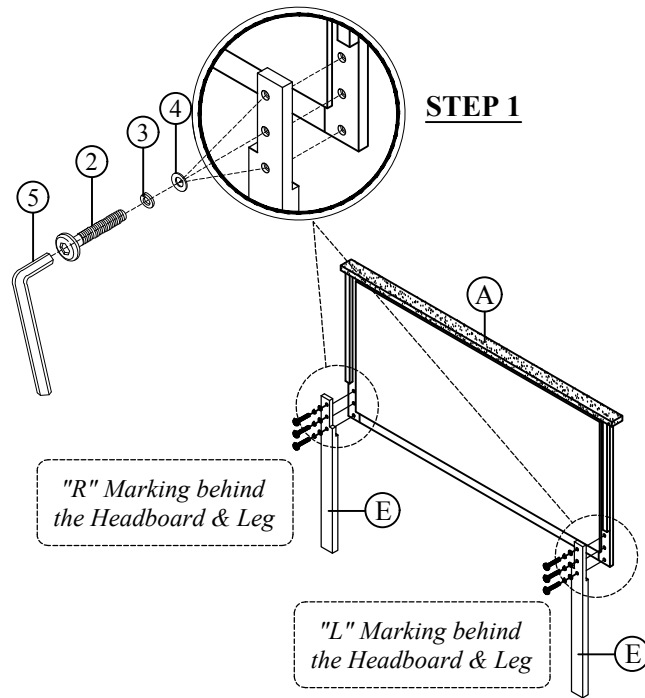
No	Descriptions	Qty
A	Headboard Panel	1
B	Footboard Panel	1
C	Slat	5
D	Slat Support	5
E	Leg (L/R)	2

Side Rail

No	Descriptions	Qty
F	Side Rail	2

Hardware List In Headboard & Footboard

No	Descriptions	Qty
1	CSK M4 x 32mm	10
2	JCBC Screw M6 x 30mm	6
3	Spring Washer Ø1/4"	6
4	Flat Washer Ø1/4" x 13mm	6
5	L Key M4	1
6	L Key M5	1



NOTE : MUST TIGHTEN SCREWS PERIODICALLY. SCREWS NATURALLY LOOSEN WITH USE. CHECK TIGHTNESS OF ALL SCREWS EVERY 6-8 WEEKS.