

ASSEMBLY INSTRUCTIONS

DESCRIPTION : DRESSER / MIRROR





MODEL : C8398L-050

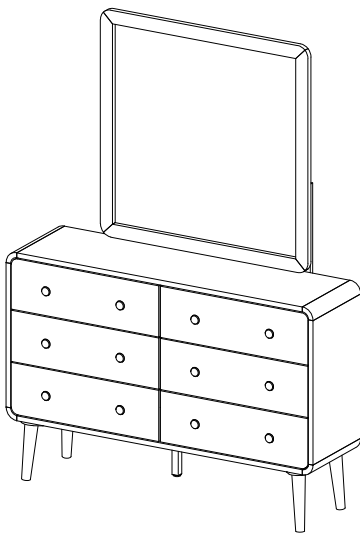
REVISION : A

Component List

No	Descriptions	Qty
A	MIRROR	1
B	DRESSER	1
C	MIRROR SUPPORT	2

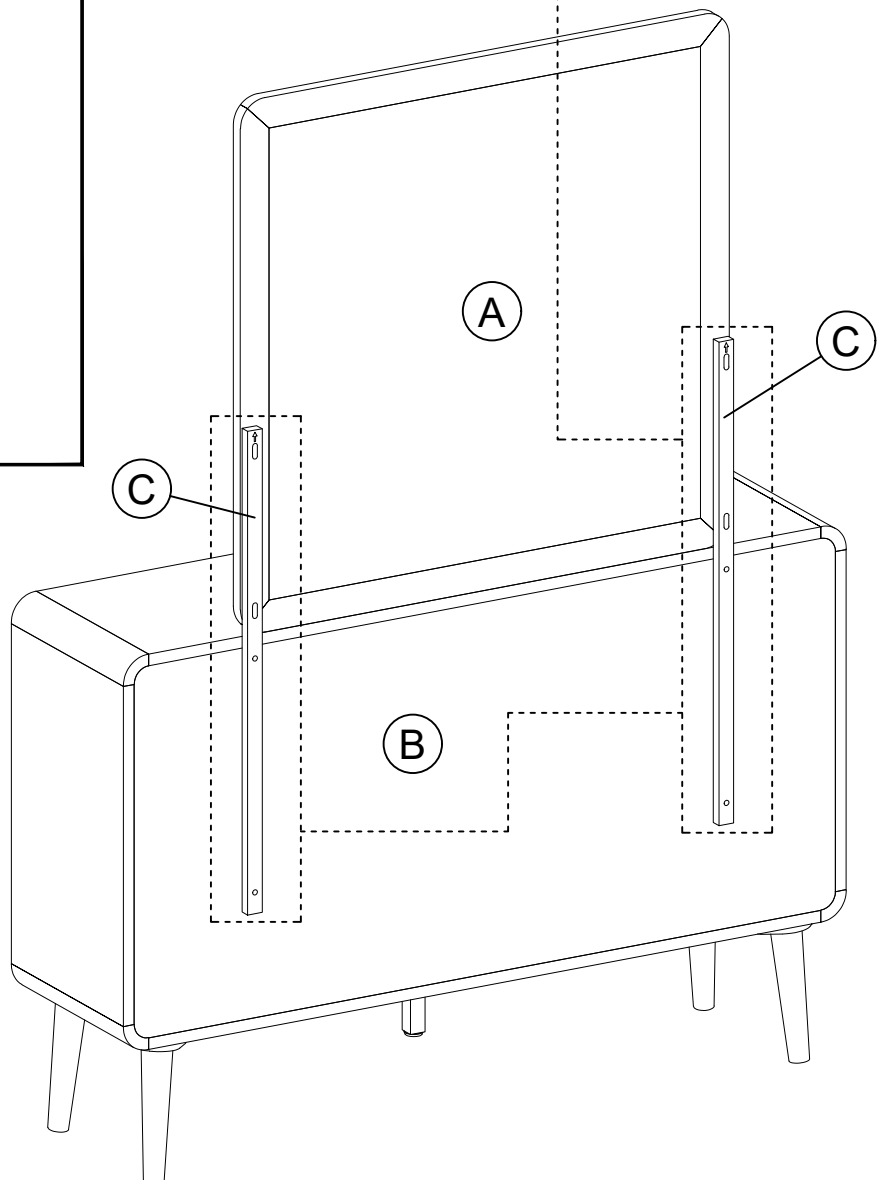
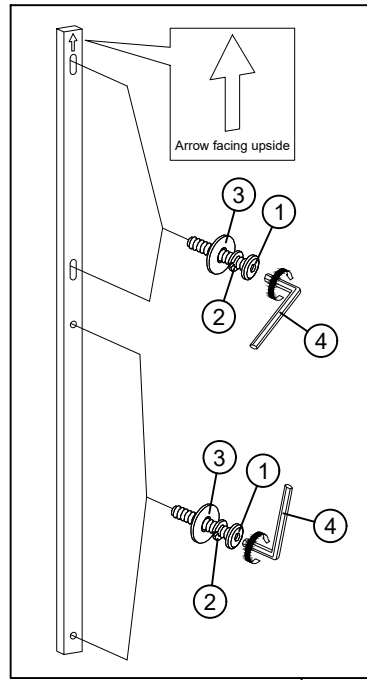
Hardware List

No	Descriptions	Qty
1	JCBC M6 x 40mm 	8
2	Spring Washer Ø1/4" x 13mm 	8
3	Flat Washer Ø1/4" x 19mm 	8
4	L Key M4 	1



ASSEMBLY COMPLETED

STEP 1



NOTE : MUST TIGHTEN SCREWS PERIODICALLY WITH USE SCREW WILL BECOME LOOSE.
CHECK TIGHTNESS OF ALL SCREW EVERY 6-8 WEEKS.