

**ASSEMBLY INSTRUCTIONS**

MODEL: (C8398L-KX0)  
+  
(C8398L-KB2)

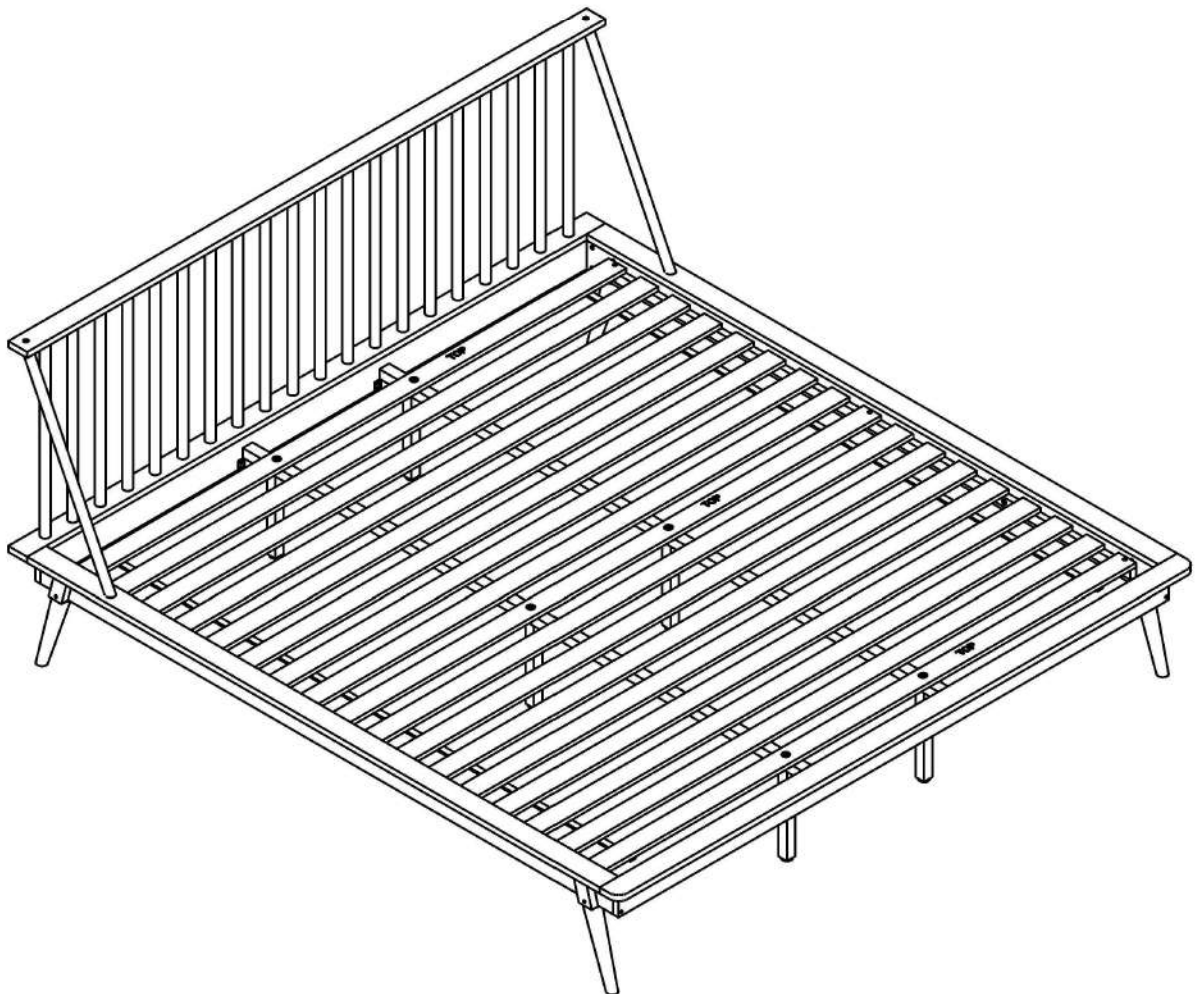
REVISION:

**NOTE:**

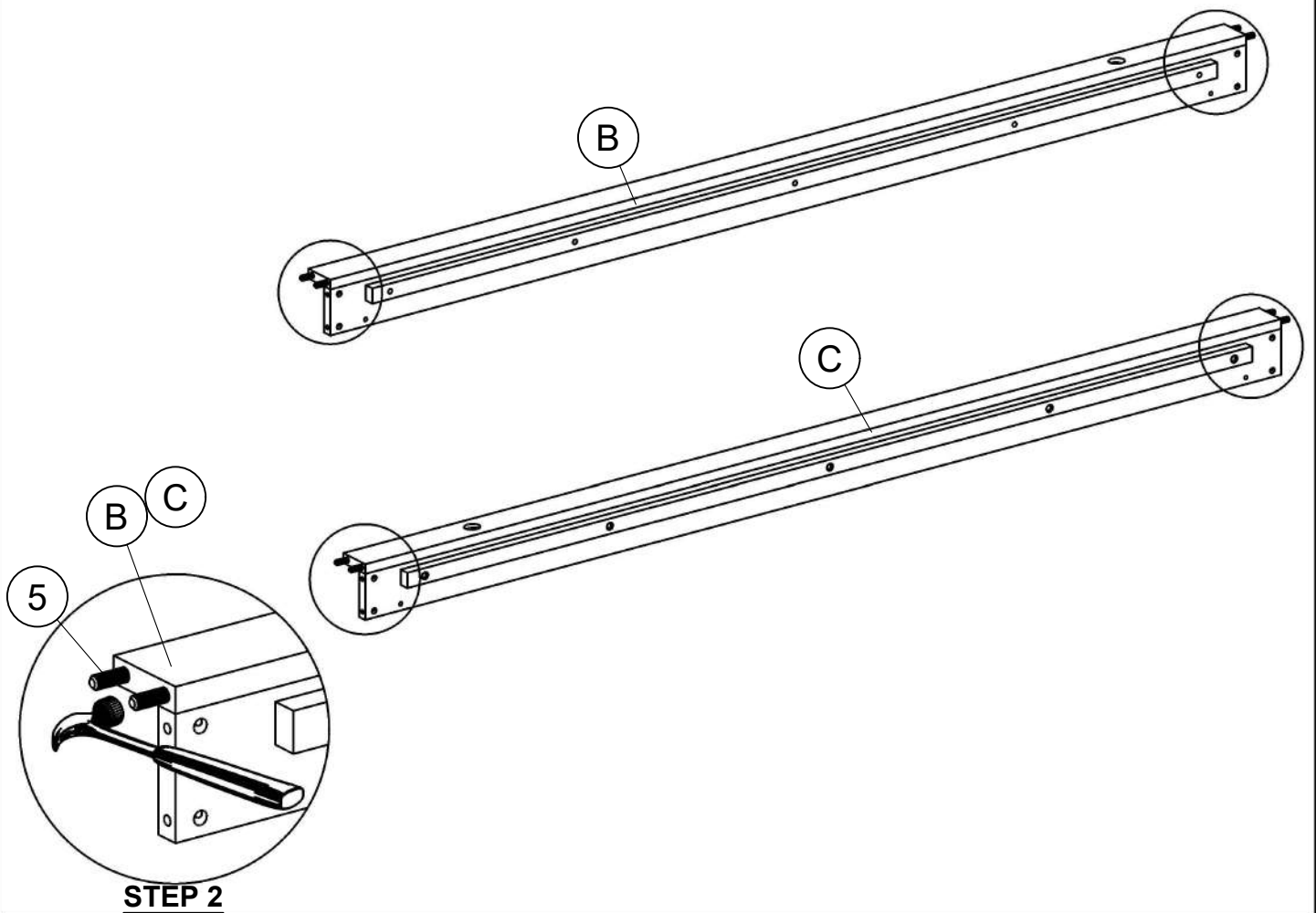
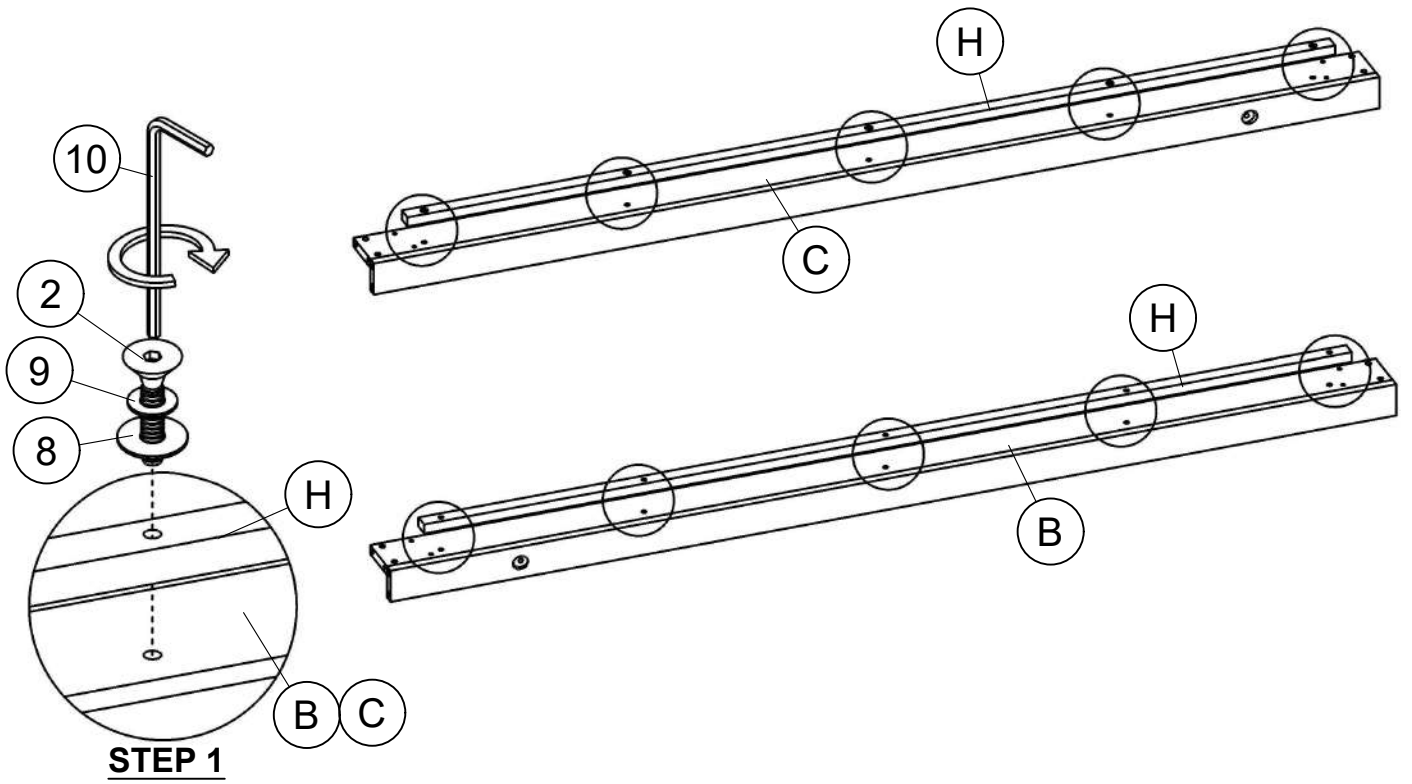
MUST TIGHTEN SCREWS PERIODICALLY WITH USE SCREW WILL BECOME LOOSE, CHECK TIGHTNESS OF ALL SCREW EVERY 6-8 WEEKS.

| Component List        |                   |     |
|-----------------------|-------------------|-----|
| Headboard & Footboard |                   |     |
| NO                    | Descriptions      | Qty |
| A                     | Headboard         | 1   |
| B                     | Side Rail (i)     | 1   |
| C                     | Side Rail (ii)    | 1   |
| D                     | Footboard         | 1   |
| E                     | Round Rod         | 2   |
| F                     | Leg (i)           | 2   |
| G                     | Leg (ii)          | 2   |
| H                     | Side Rail Support | 2   |
| I                     | Slat Support      | 2   |
| J                     | Support Leg       | 6   |
| K                     | Slat              | 1   |

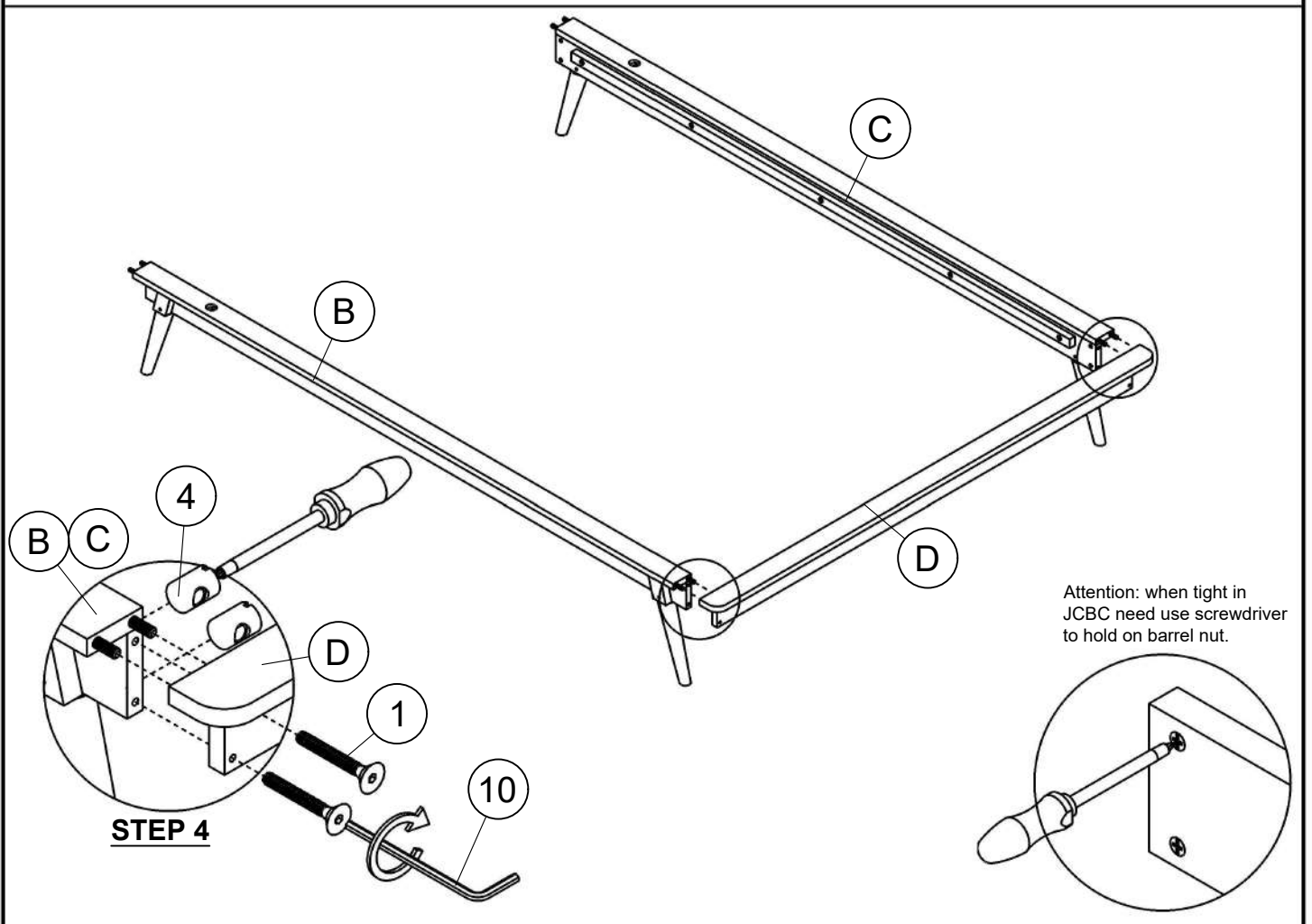
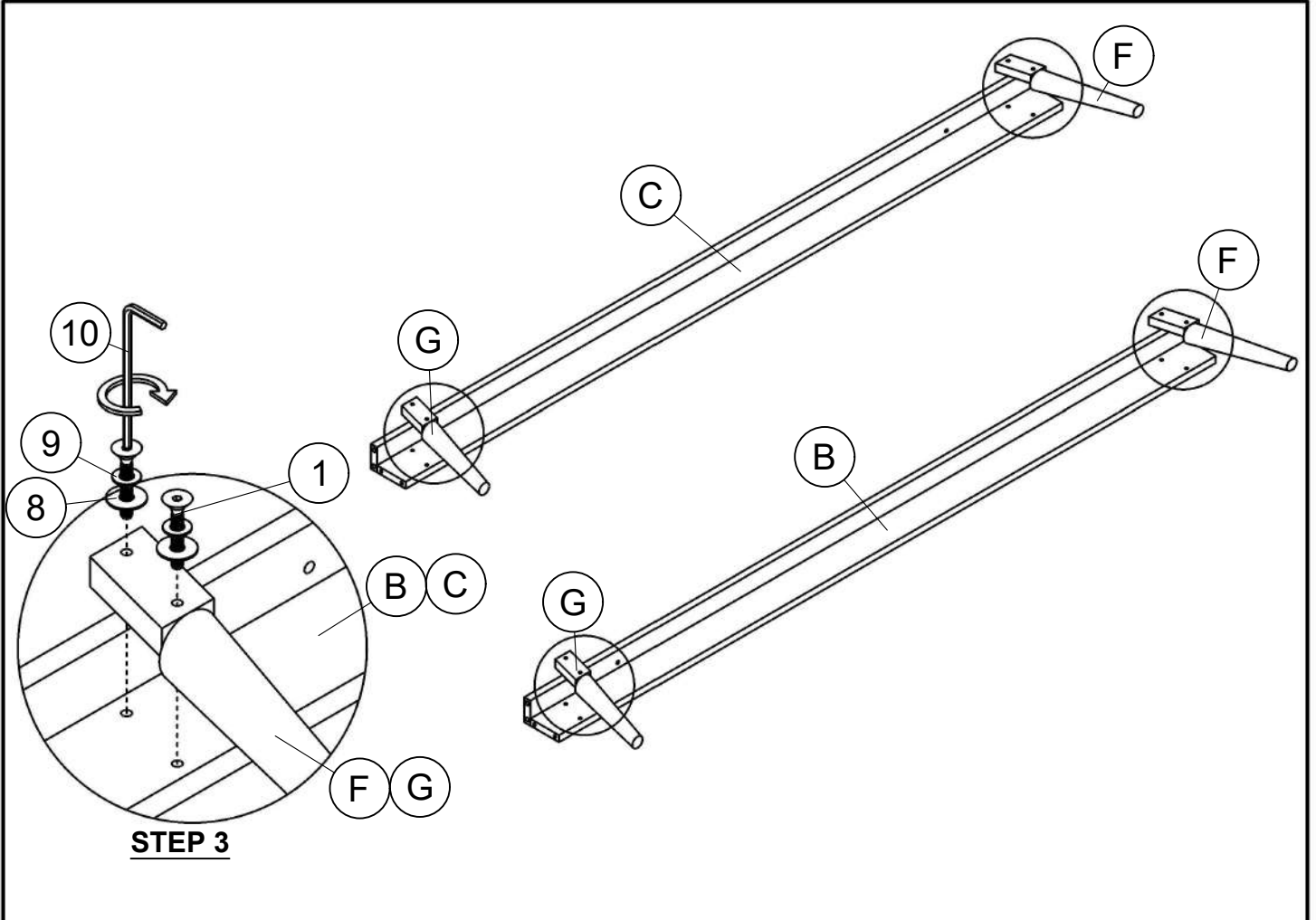
| Hardware List In Headboard & Footboard |                             |     |
|--|-----------------------------|-----|
| NO                                     | Descriptions                | Qty |
| 1                                      | JCBC M6 x 50mm              | 16  |
| 2                                      | JCBC M6 x 35mm              | 10  |
| 3                                      | JCBCW M6 x 40mm             | 2   |
| 4                                      | BARREL NUT M6 x 13mm        | 8   |
| 5                                      | WOOD DOWEL 10 x 40mm        | 8   |
| 6                                      | CSK M4 x 25mm               | 6   |
| 7                                      | SUPPORT LEG ADJUSTABLE FEET | 6   |
| 8                                      | FLAT WASHER Ø1/4" x 19mm    | 18  |
| 9                                      | SPRING WASHER Ø1/4" x 12mm  | 18  |
| 10                                     | L KEY M4                    | 1   |



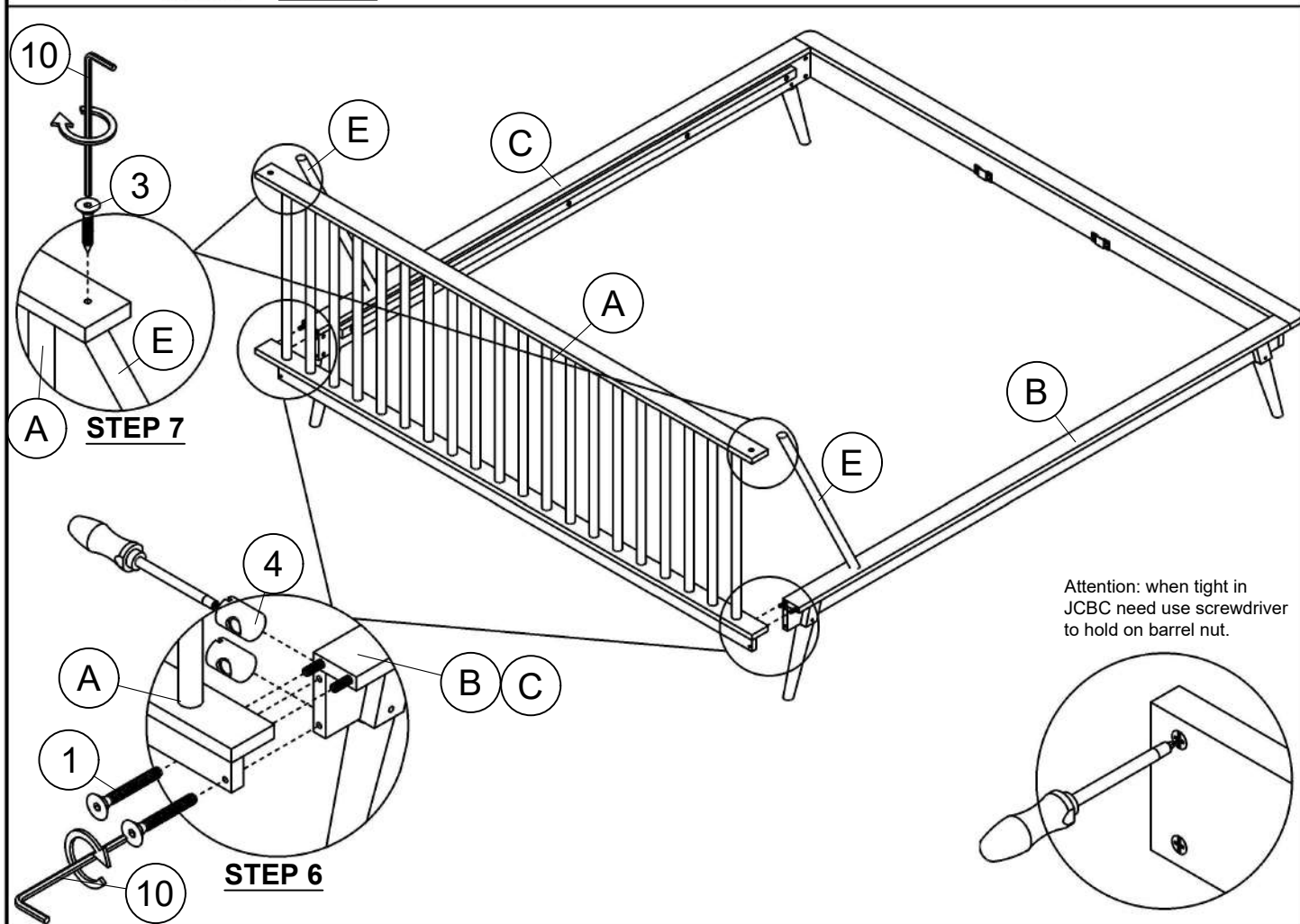
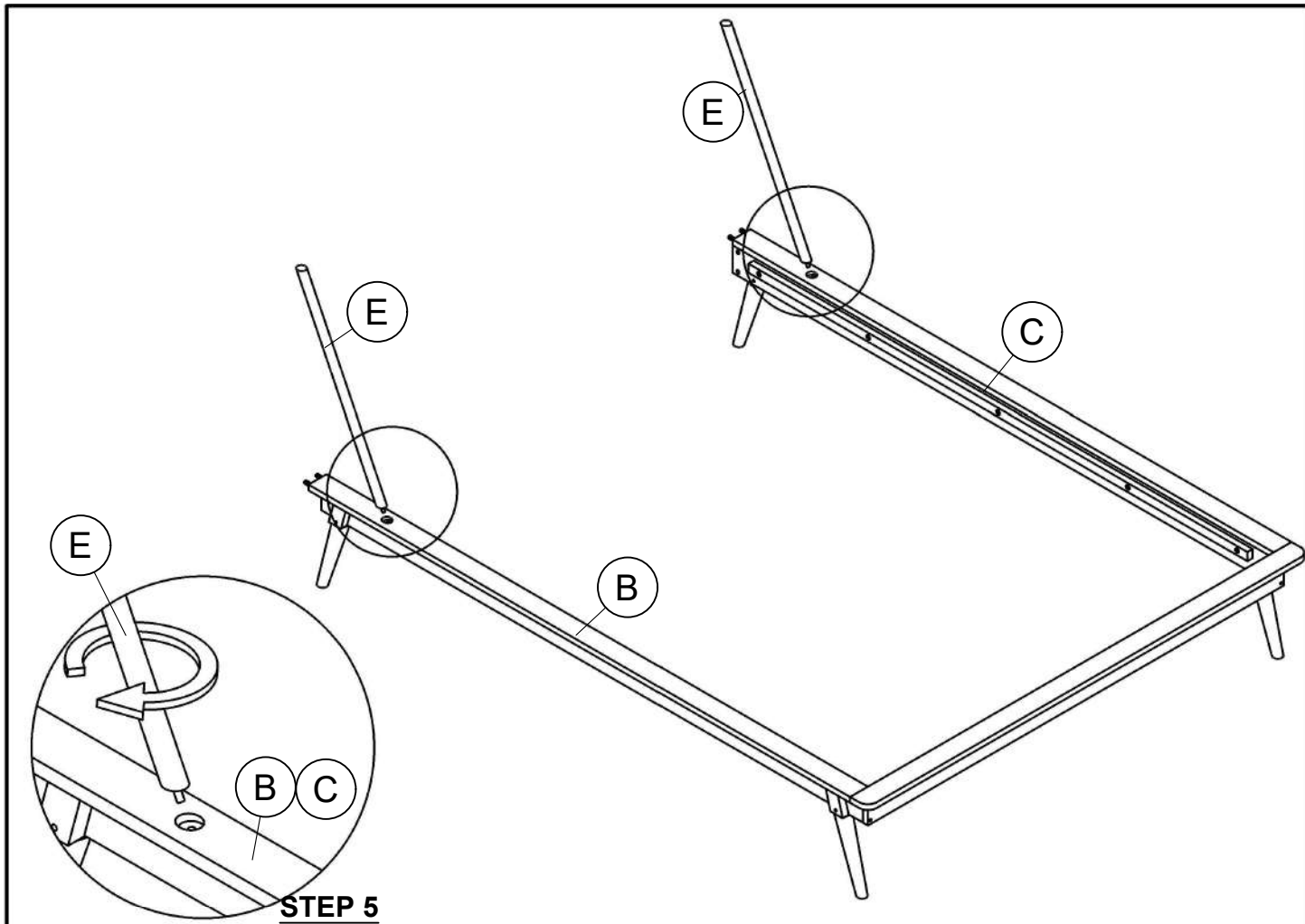
# ASSEMBLY INSTRUCTIONS



# ASSEMBLY INSTRUCTIONS



# ASSEMBLY INSTRUCTIONS



# ASSEMBLY INSTRUCTIONS

