

ASSEMBLY INSTRUCTIONS

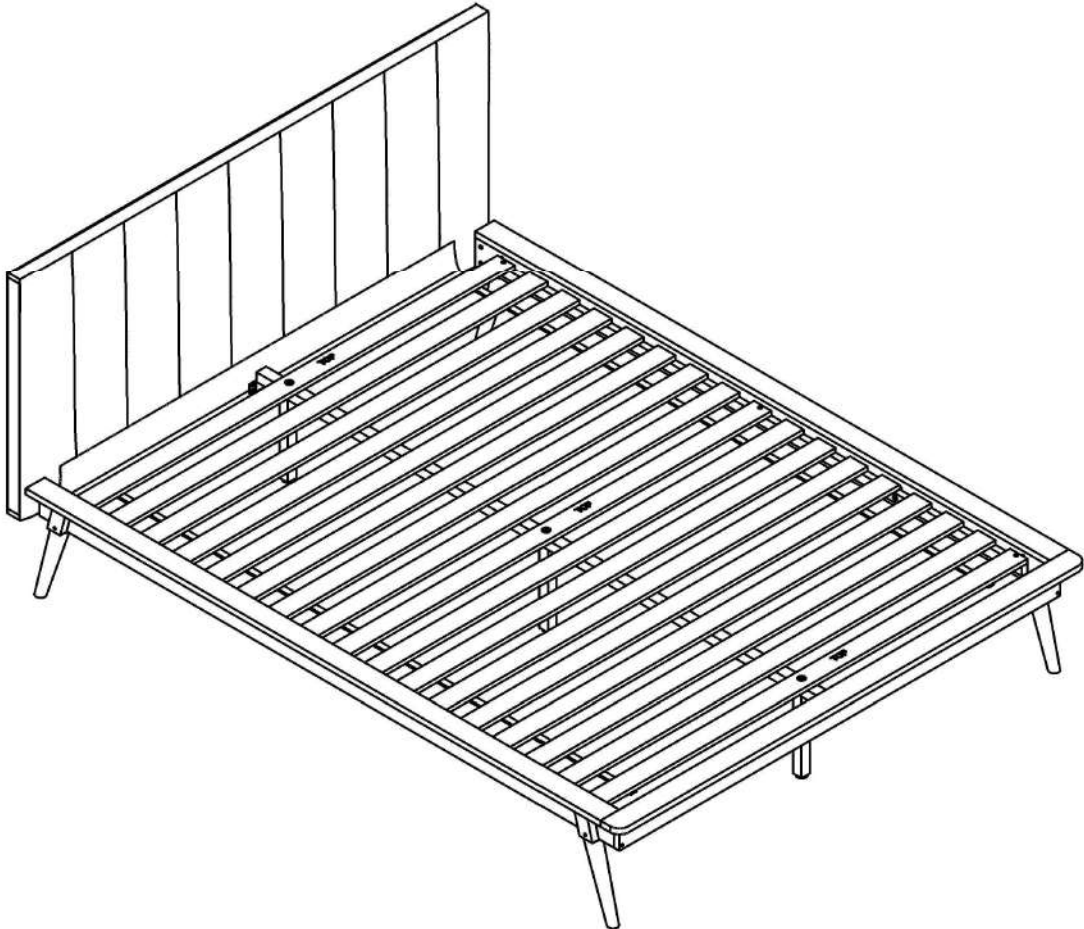
MODEL: (C8398L-F4A)
 +
 (C8398L-FB3)

NOTE:
 MUST TIGHTEN SCREWS PERIODICALLY WITH USE SCREW WILL BECOME LOOSE, CHECK TIGHTNESS OF ALL SCREW EVERY 6-8 WEEKS.

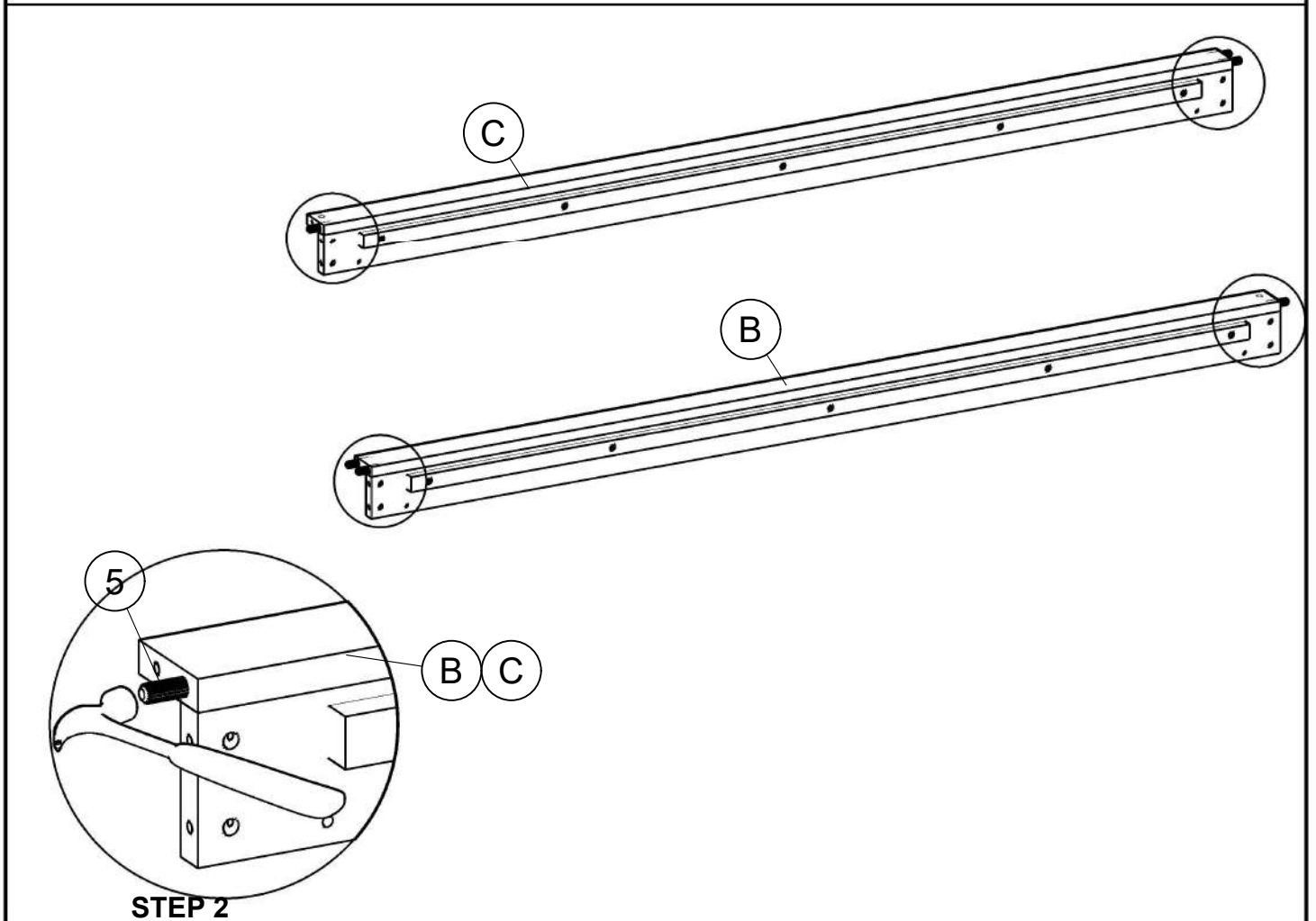
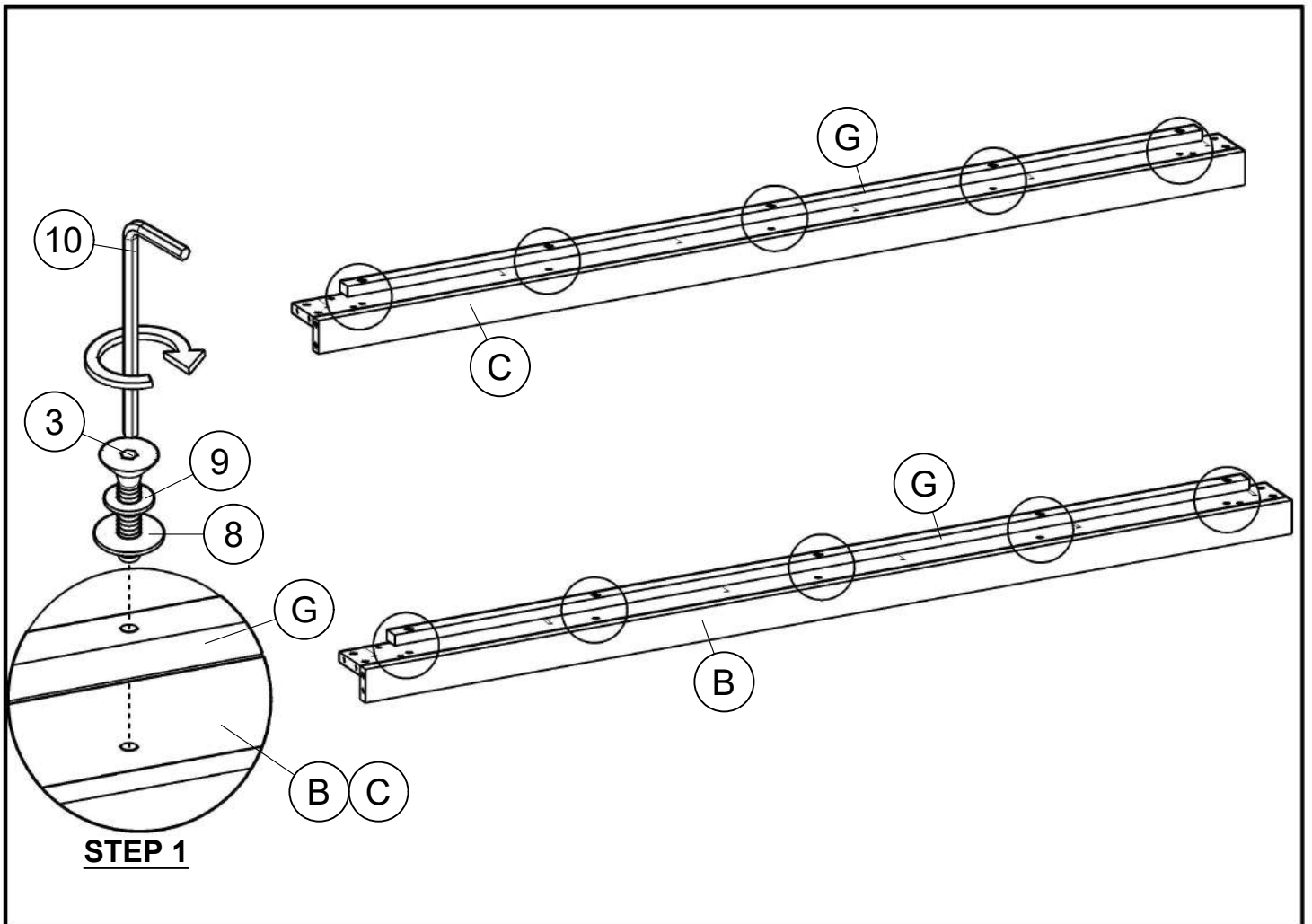
REVISION:

Component List		
Headboard & Footboard		
NO	Descriptions	Qty
A	Headboard	1
B	Side Rail (i)	1
C	Side Rail (ii)	1
D	Footboard	1
E	Leg (i)	2
F	Leg (ii)	2
G	Side Rail Support	2
H	Slat Support	1
I	Support Leg	3
J	Slat	1

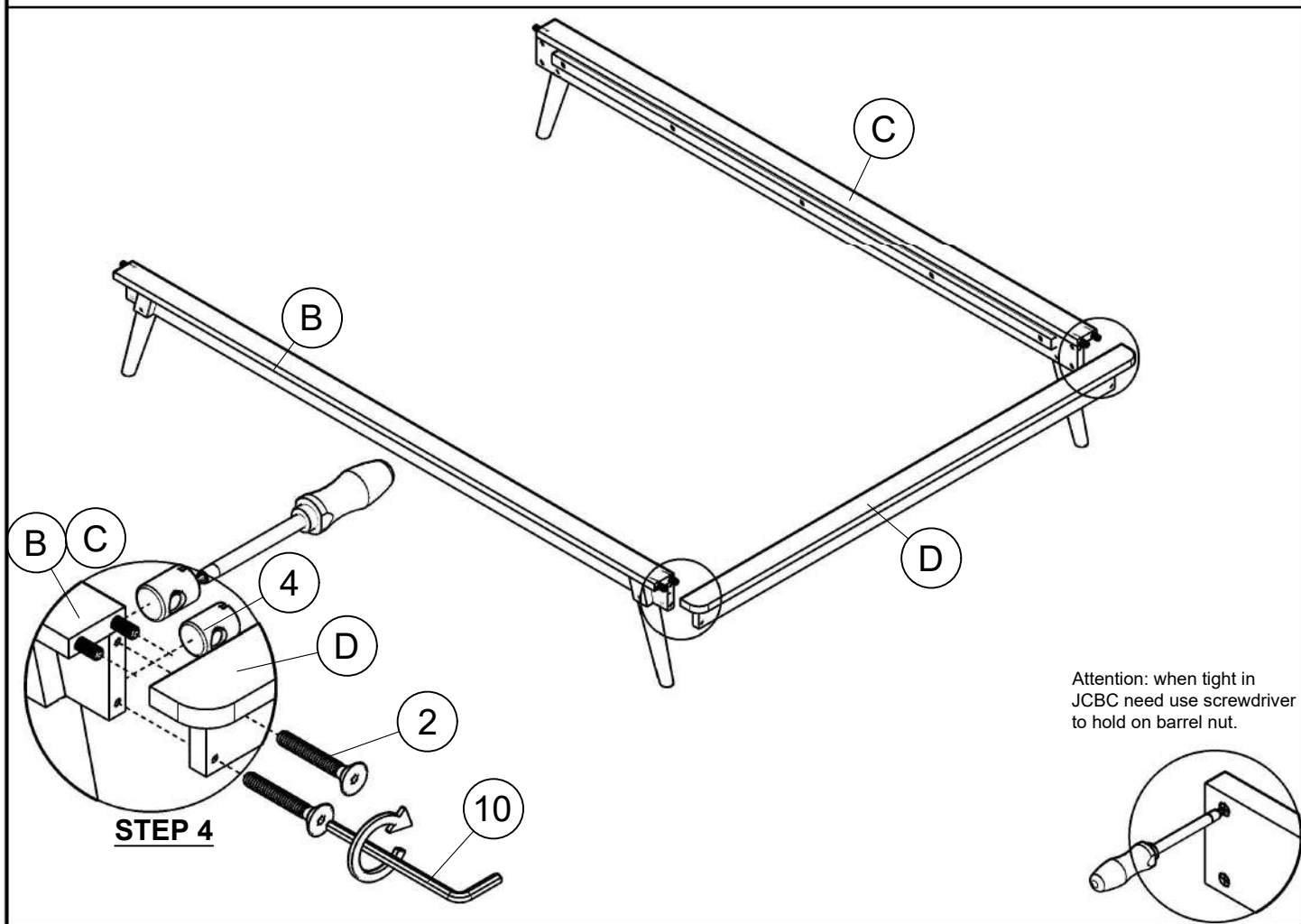
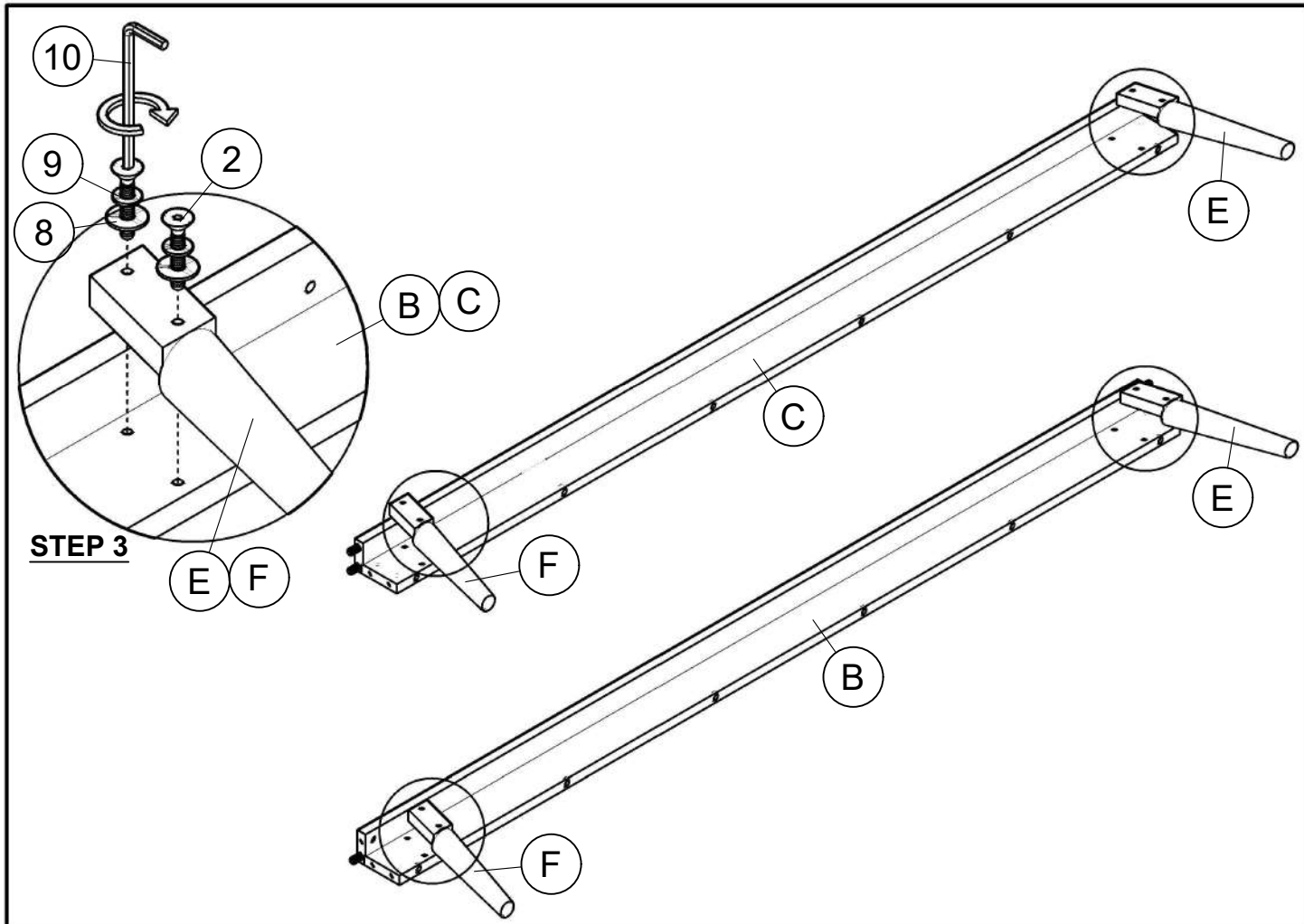
Hardware List In Headboard & Footboard		
NO	Descriptions	Qty
1	JCBC M6 x 70mm	6
2	JCBC M6 x 50mm	12
3	JCBC M6 x 35mm	10
4	BARREL NUT M6 x 13mm	10
5	WOOD DOWEL 10 x 40mm	6
6	CSK M4 x 25mm	6
7	SUPPORT LEG ADJUSTABLE FEET	3
8	FLAT WASHER Ø1/4" x 19mm	18
9	SPRING WASHER Ø1/4" x 12mm	18
10	L KEY M4	1



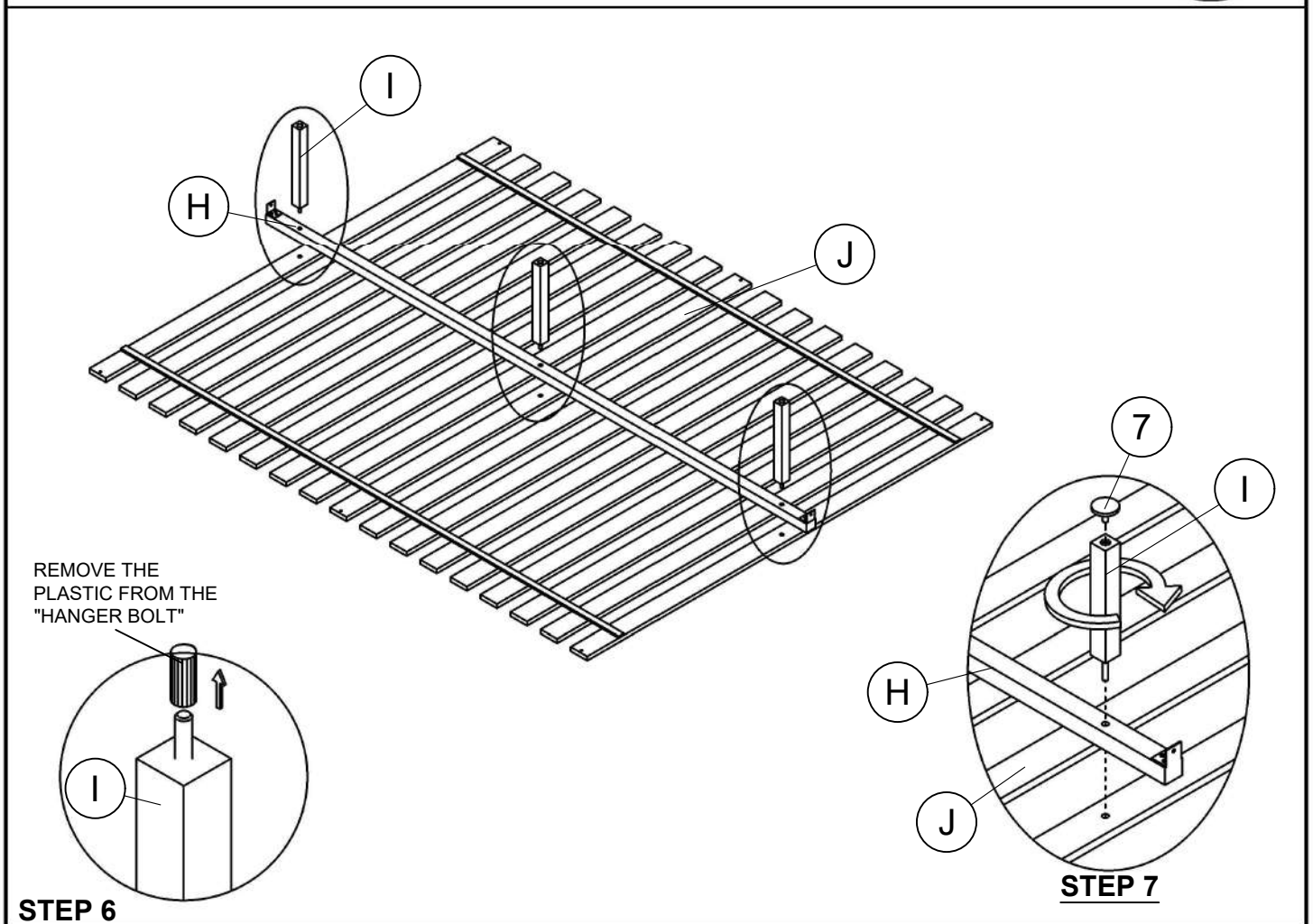
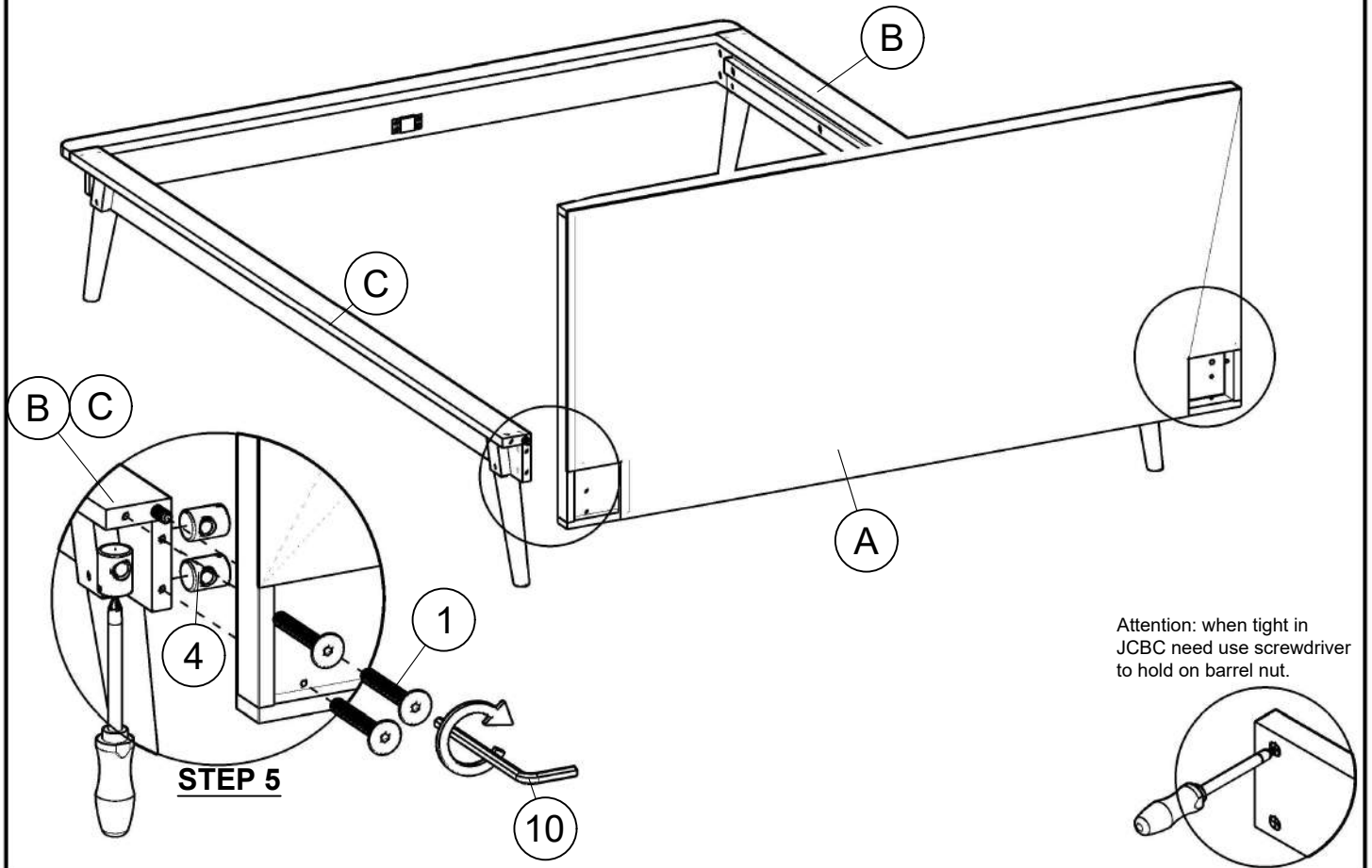
ASSEMBLY INSTRUCTIONS



ASSEMBLY INSTRUCTIONS



ASSEMBLY INSTRUCTIONS



ASSEMBLY INSTRUCTIONS

