

ASSEMBLY INSTRUCTIONS

MODEL: (C8398L-FX0)
+
(C8398L-FB2)

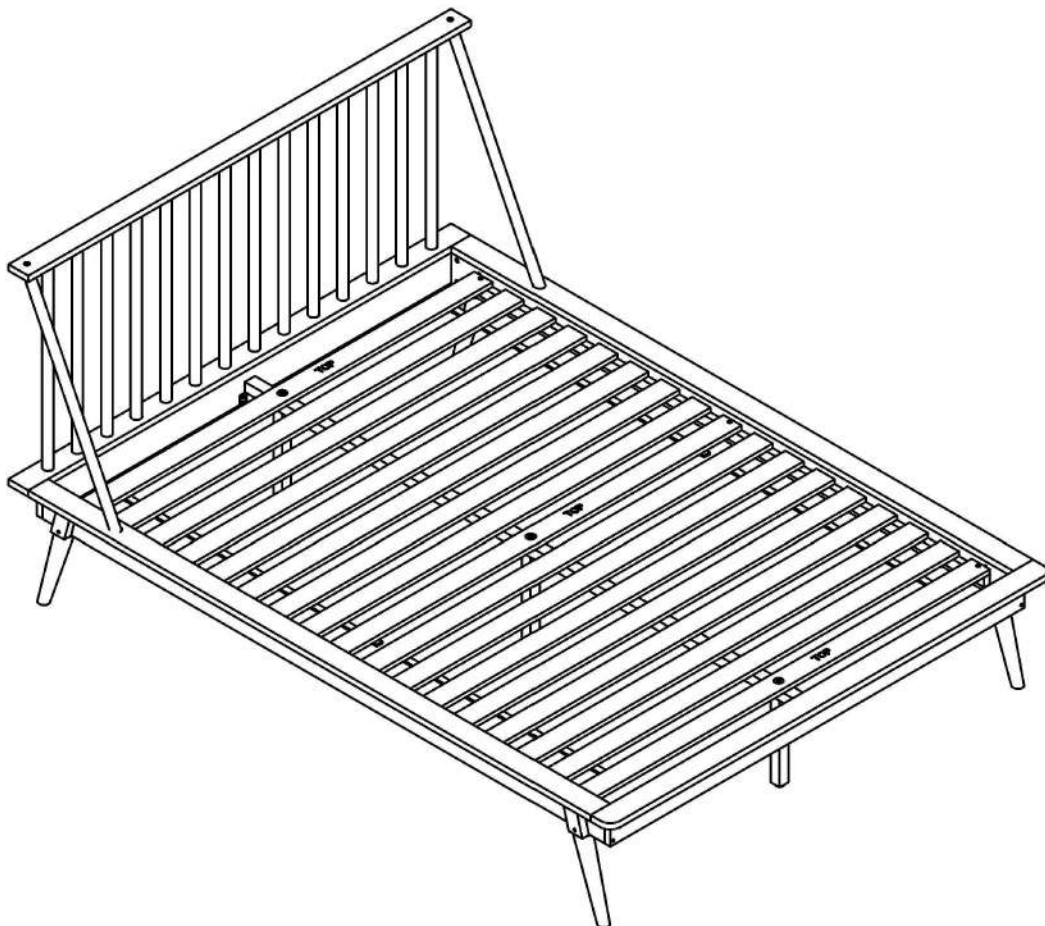
REVISION:

NOTE:

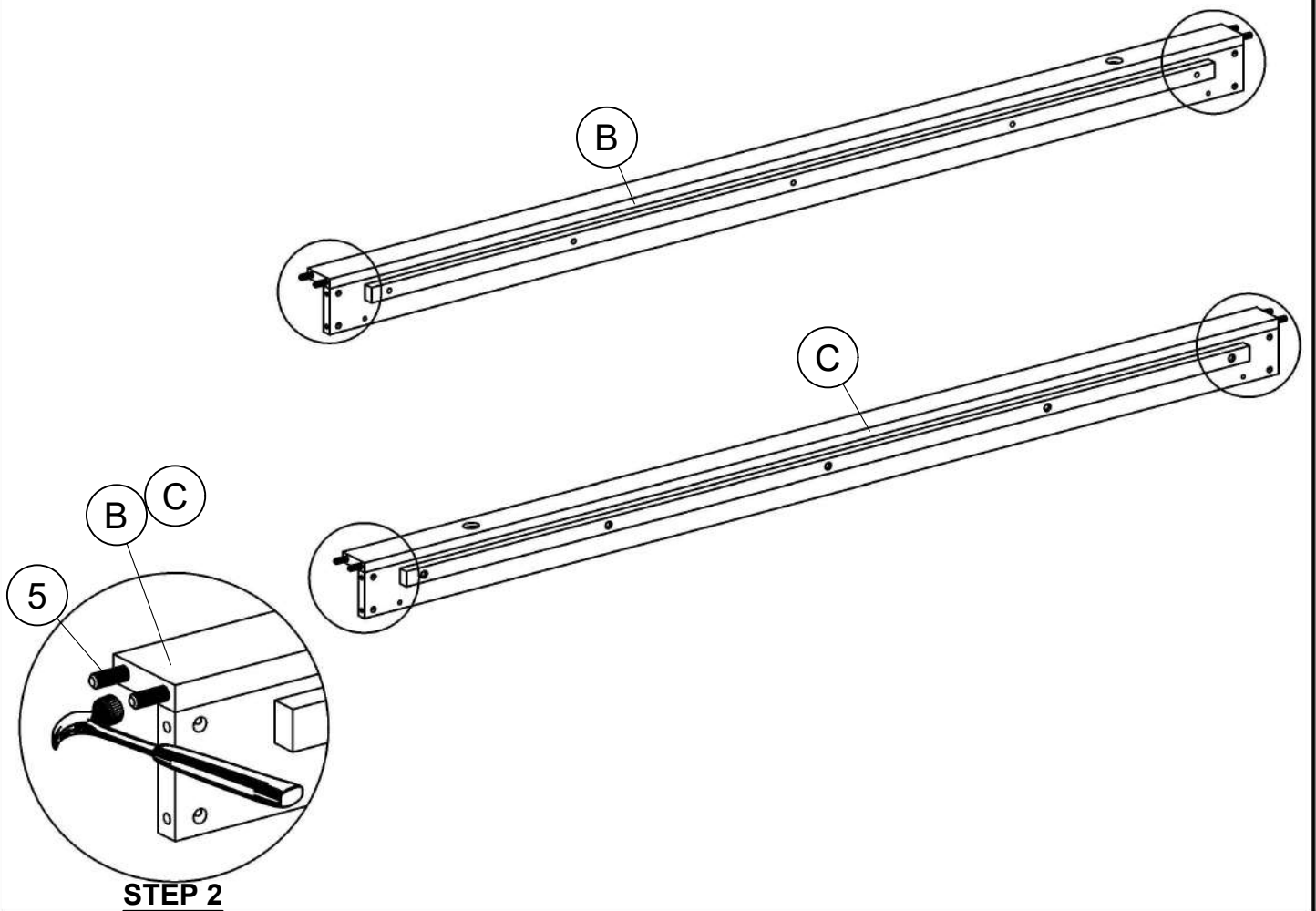
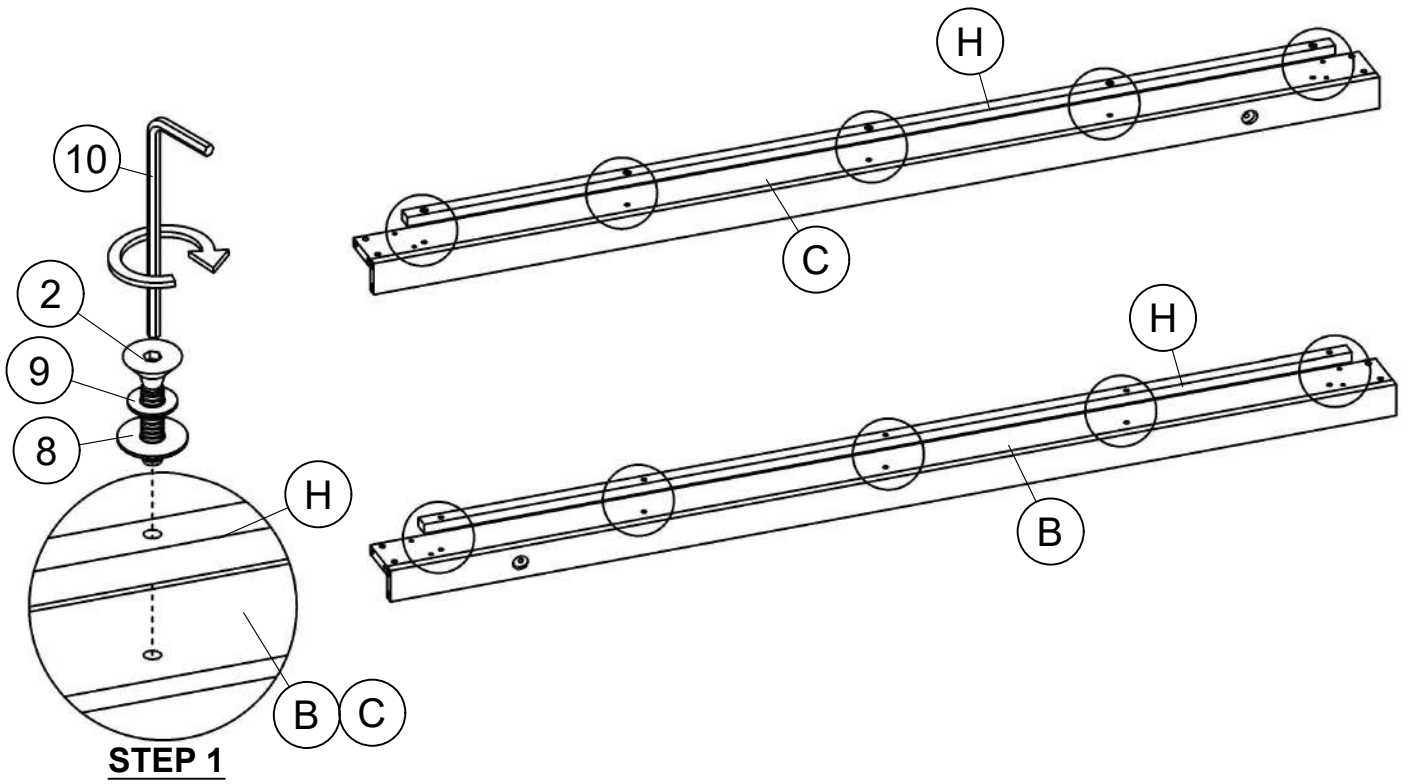
MUST TIGHTEN SCREWS PERIODICALLY WITH USE SCREW WILL BECOME LOOSE, CHECK TIGHTNESS OF ALL SCREW EVERY 6-8 WEEKS.

| Component List | | |
|-----------------------|-------------------|-----|
| Headboard & Footboard | | |
| NO | Descriptions | Qty |
| A | Headboard | 1 |
| B | Side Rail (i) | 1 |
| C | Side Rail (ii) | 1 |
| D | Footboard | 1 |
| E | Round Rod | 2 |
| F | Leg (i) | 2 |
| G | Leg (ii) | 2 |
| H | Side Rail Support | 2 |
| I | Slat Support | 1 |
| J | Support Leg | 3 |
| K | Slat | 1 |

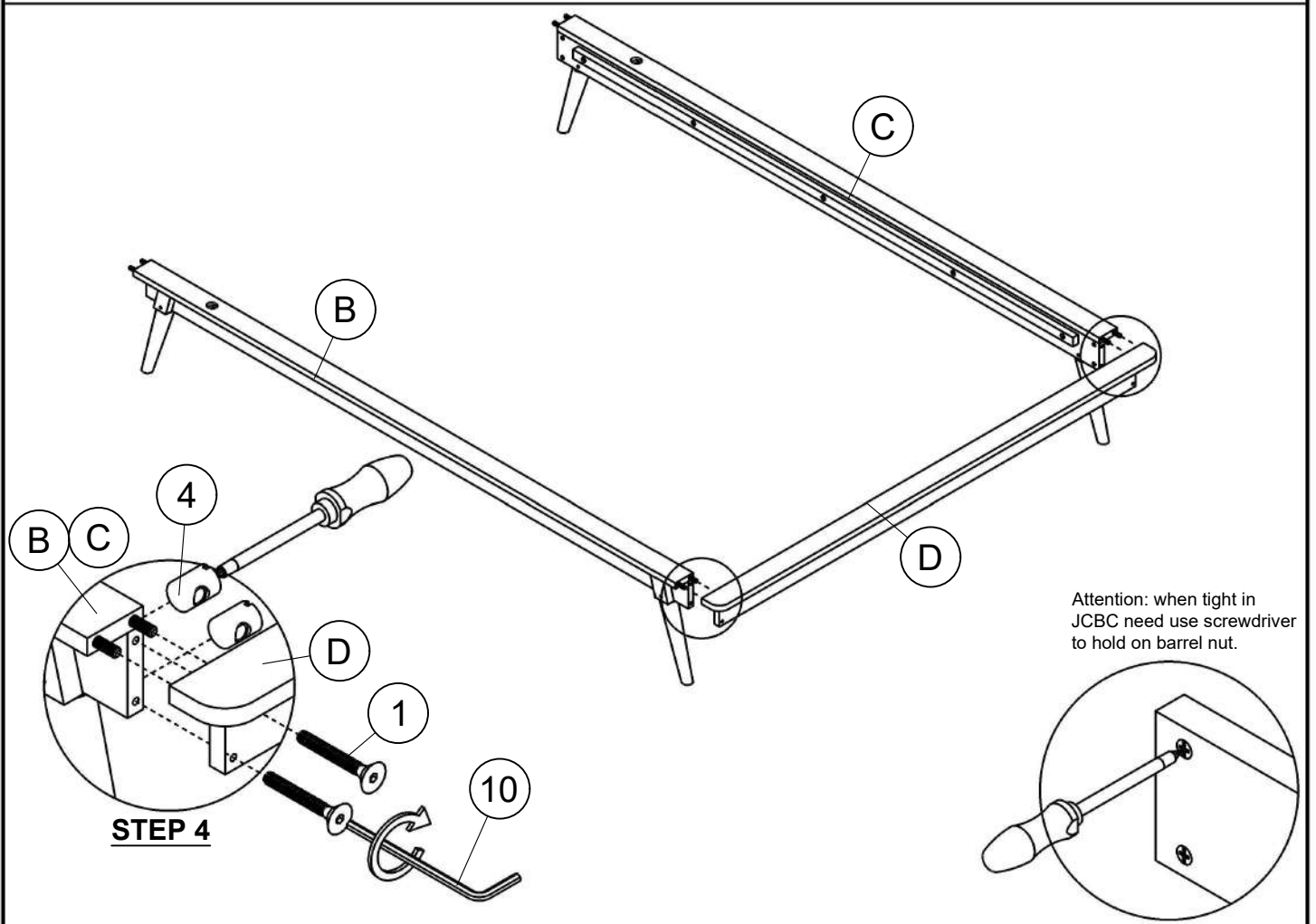
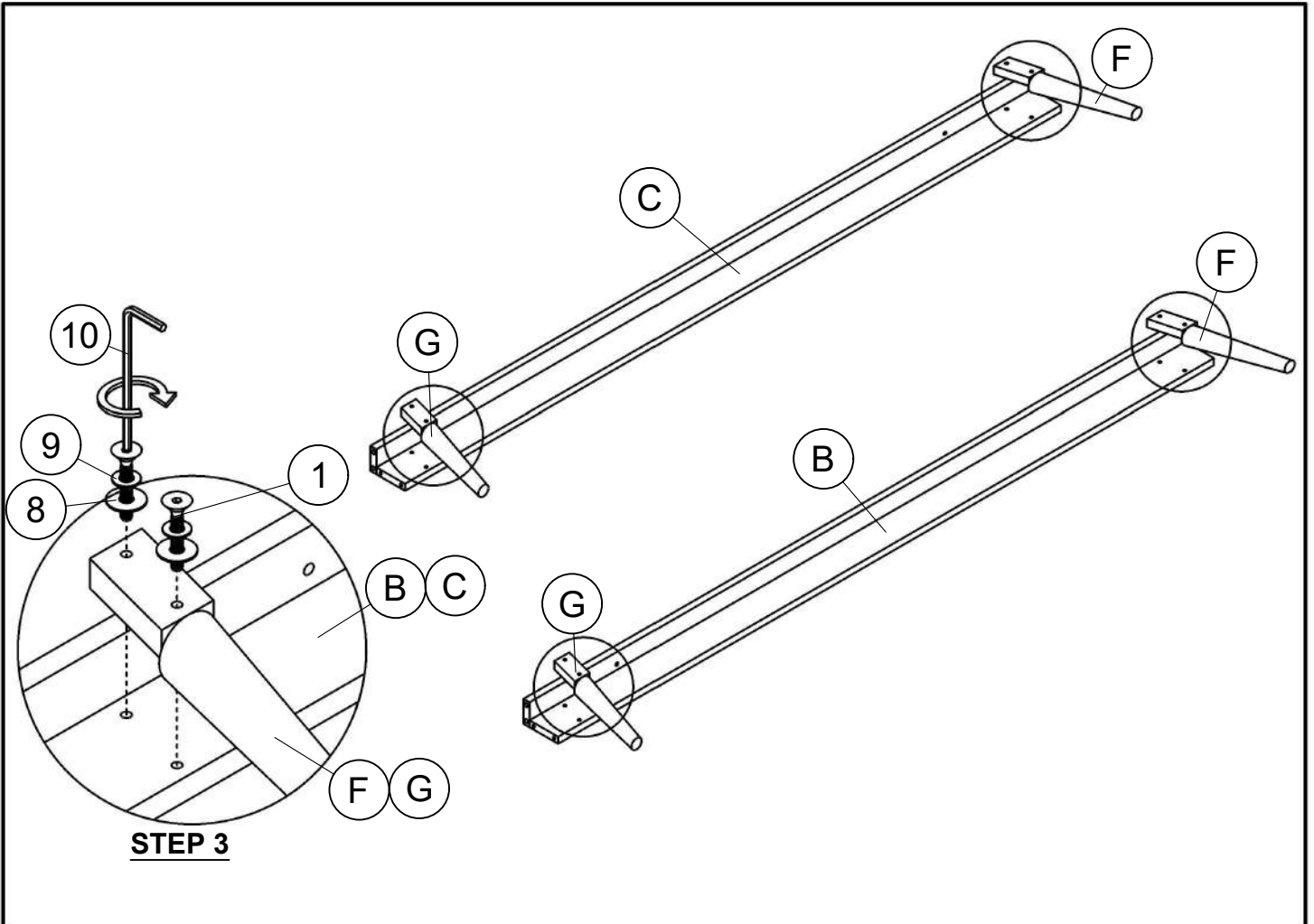
| Hardware List In Headboard & Footboard | | |
|--|-----------------------------|-----|
| NO | Descriptions | Qty |
| 1 | JCBC M6 x 50mm | 16 |
| 2 | JCBC M6 x 35mm | 10 |
| 3 | JCBCW M6 x 40mm | 2 |
| 4 | BARREL NUT M6 x 13mm | 8 |
| 5 | WOOD DOWEL 10 x 40mm | 8 |
| 6 | CSK M4 x 25mm | 6 |
| 7 | SUPPORT LEG ADJUSTABLE FEET | 3 |
| 8 | FLAT WASHER Ø1/4" x 19mm | 18 |
| 9 | SPRING WASHER Ø1/4" x 12mm | 18 |
| 10 | L KEY M4 | 1 |



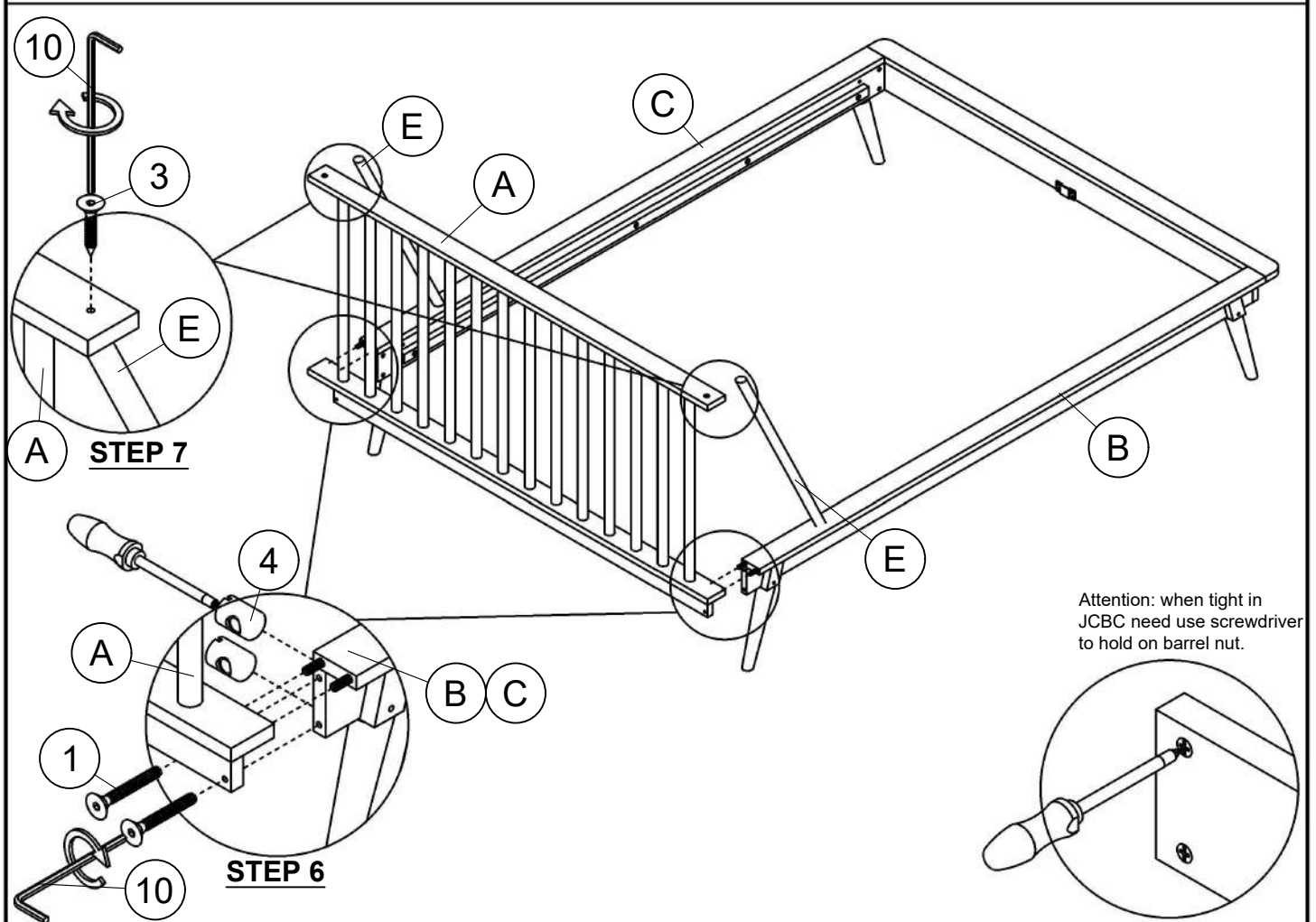
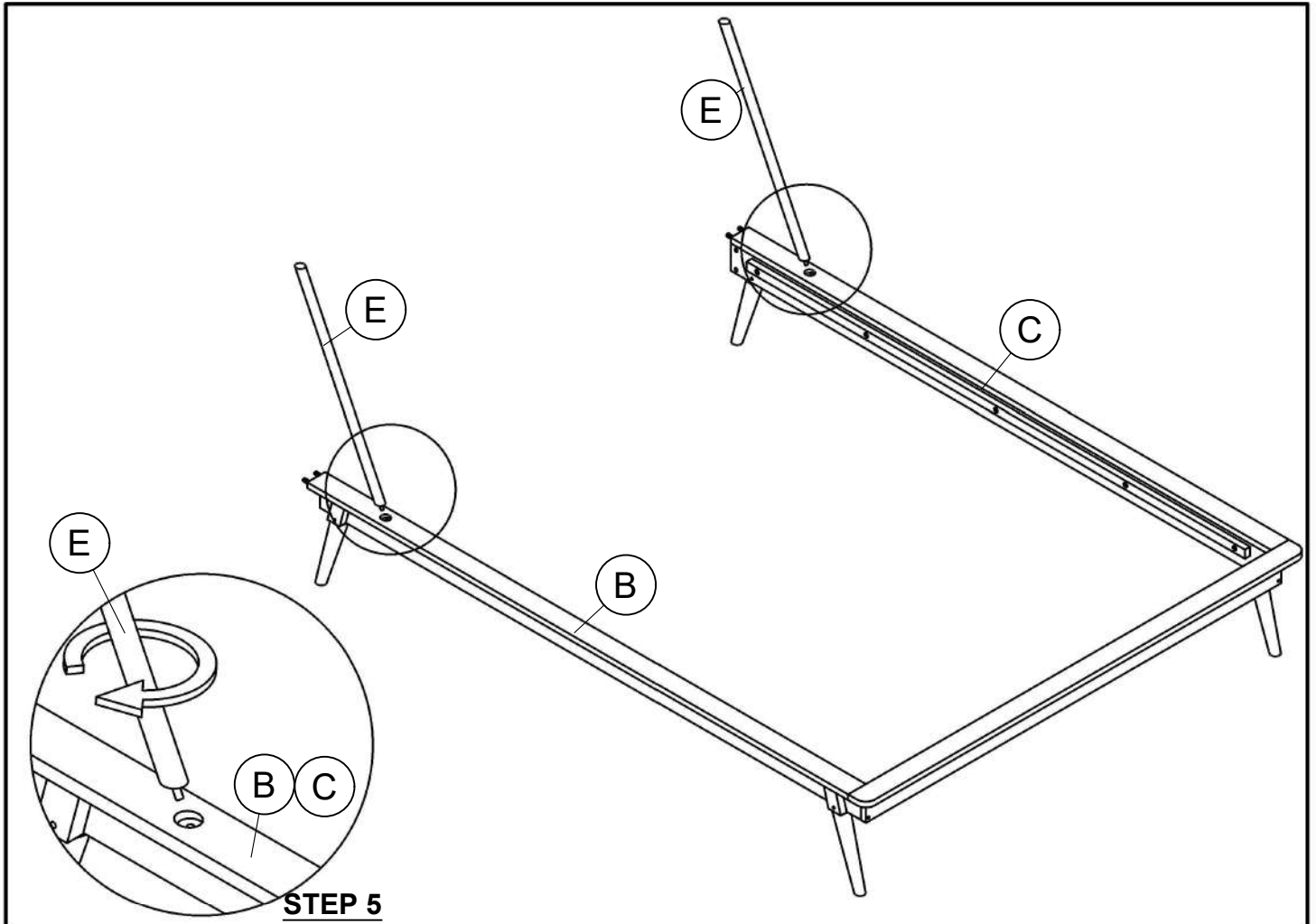
ASSEMBLY INSTRUCTIONS



ASSEMBLY INSTRUCTIONS



ASSEMBLY INSTRUCTIONS



ASSEMBLY INSTRUCTIONS

