



Assembly Instruction Instructions d'assemblage

ITEM NO : 8068-528S

UPHOLSTERED SIDE CHAIR / CHAISE

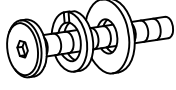
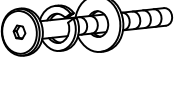
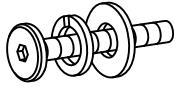


Thank you for purchasing this quality product. Be sure to check all packing materials carefully for small parts that may come loose inside the carton during shipment.

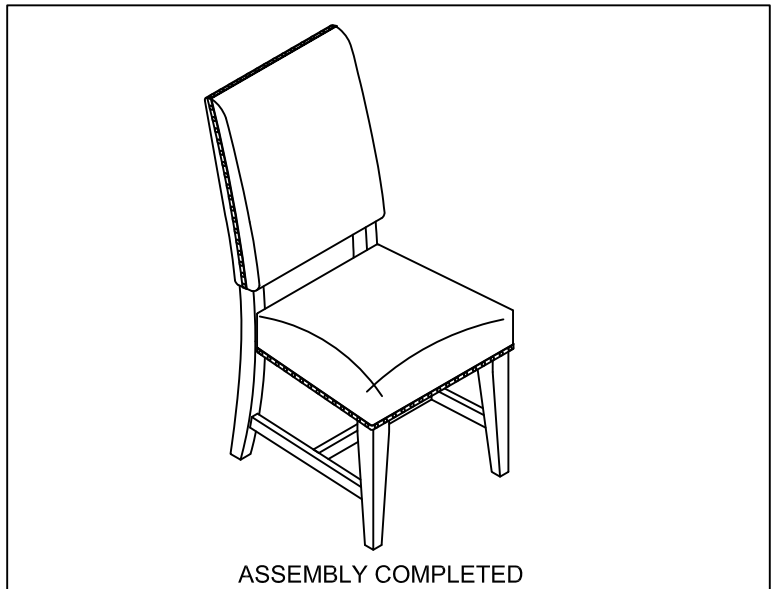
***Caution: Please read all instructions carefully before starting the assembly process. These parts are cumbersome and heavy. Therefore, two people are recommended in order to prevent personal injury and insure the parts are not damaged during the assembly.

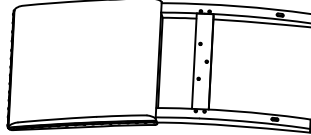
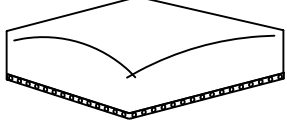
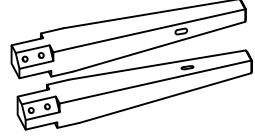
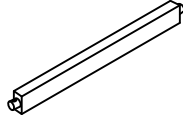
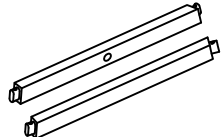
Merci d'avoir acheté ce produit de qualité. Examinez soigneusement les matériaux emballés, les parties plus petites ont pu se déplacer ou tomber à l'intérieur du carton pendant le transport.

***Avertissement: veuillez lire toutes les instructions attentivement avant de commencer l'assemblage. Ces pièces sont encombrantes et lourdes. Il est recommandé d'être deux personnes pour l'assemblage afin de prévenir des blessures et/ou risquer d'endommager les pièces.

WARNING: To avoid alignment issue, please don't tighten the screws unless all legs are adjusted at the same level.

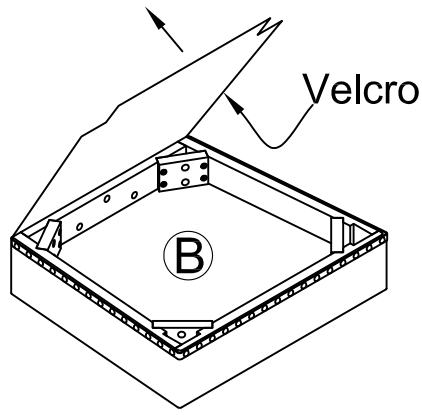
HARDWARE LIST			
1	Bolt Ø1/4"-20 x 1-1/2"		3 PCS
	Boulon Ø1/4"-20 x 1-1/2"		3 PIÈCES
	Spring Washer Ø5/16" x1/2" x1/16"		3 PCS
	Rondelle de ressort Ø5/16"x1/2"x1/16"		3 PIÈCES
	Flat Washer Ø5/16" x 3/4" x 1/16"		3 PCS
	Rondelle plate Ø5/16"x3/4"x1/16"		3 PIÈCES
2	Bolt Ø1/4"-20 x 3-3/8"		4 PCS
	Boulon Ø1/4"-20 x 3-3/8"		4 PIÈCES
	Spring Washer Ø5/16" x1/2" x1/16"		4 PCS
	Rondelle de ressort Ø5/16"x1/2"x1/16"		4 PIÈCES
	Flat Washer Ø5/16" x 3/4" x 1/16"		4 PCS
	Rondelle plate Ø5/16"x3/4"x1/16"		4 PIÈCES
3	Bolt Ø1/4"-20 x 1-3/4"		4 PCS
	Boulon Ø1/4"-20 x 1-3/4"		4 PIÈCES
	Spring Washer Ø5/16" x1/2" x1/16"		4 PCS
	Rondelle de ressort Ø5/16"x1/2"x1/16"		4 PIÈCES
	Flat Washer Ø5/16" x 3/4" x 1/16"		4 PCS
	Rondelle plate Ø5/16"x3/4"x1/16"		4 PIÈCES
4	Allen Key 5/32"		1 PC
	Clé Allen 5/32"		1 PIÈCE
5	Screw Ø5/16" x 2"		6 PCS
	Vis a bois Ø5/16" x 2"		6 PIÈCES



PART LIST			QTY'
A	CHAIR BACK		1 PC
	DOSSIER DE CHAISE		1 PIÈCE
B	SEAT		1 PC
	SIEGE		1 PIÈCE
C	FRONT LEG (LEFT - RIGHT)		2 PCS
	PIEDS AVANT (GAUCHE - DROIT)		2 PIÈCES
D	CENTER STRETCHER		1 PC
	BARREAU CENTER		1 PIÈCE
E	SIDE STRETCHER (LEFT - RIGHT)		2 PCS
	BARREAU (GAUCHE-DROIT)		2 PIÈCES

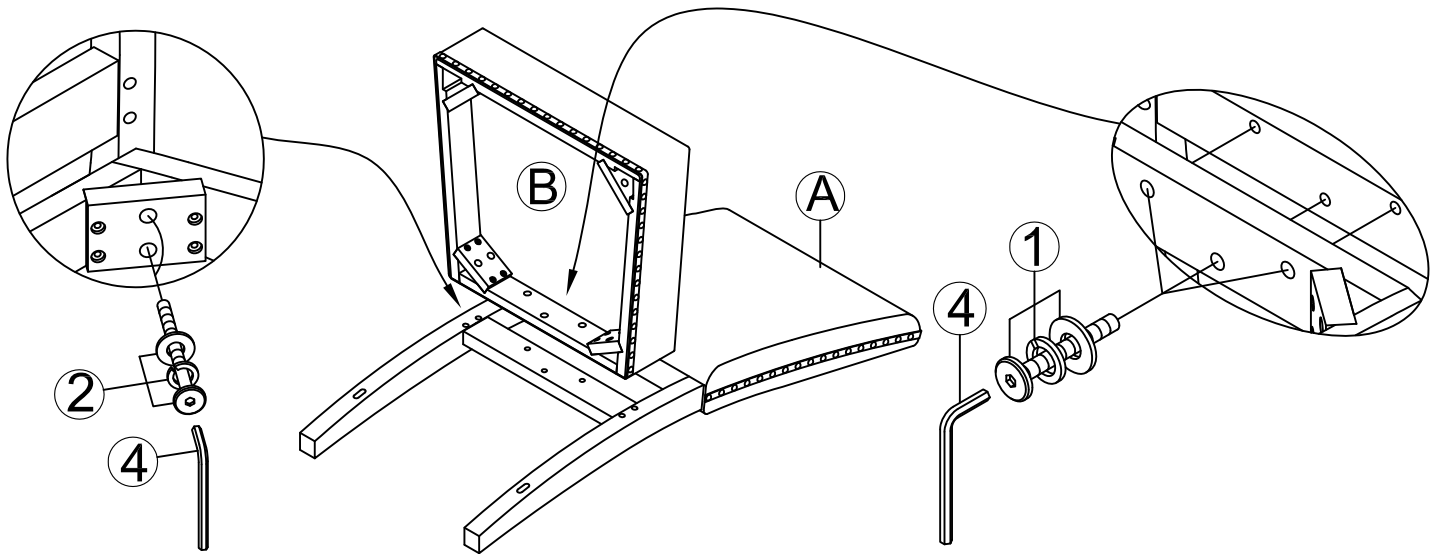
STEP 1
ÉTAPE 1

Remove the Velcro



STEP 2
ÉTAPE 2

Attach Seat Frame (B) to Chair Back (A) by using Short Bolt (1), and Spring Washer (1), Flat Washer (1) on the back; Long Bolt (2), and Spring Washer(2), Flat Washer (2) on the corners. Secure it by using Allen Key (4).



STEP 3
ÉTAPE 3

Position Front Leg (C) to the Seat Frame (B), by using Middle Bolt (3), and Spring Washer (3), Flat Washer (3), secure it by using Allen Key (4). Attach the Side Stretcher (E) to Front Legs (C) and Chair Back (A), at the same time attach the Center Stretcher (D) to the Side Stretchers (E), by using Screw (5). Attach the Velcro to the Seat Frame (B).

