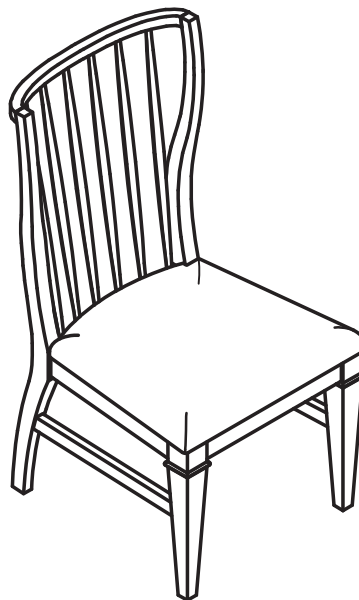
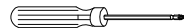


# Assembly Instruction

6067-561WT Side Chair Wood Spindle Back

**WARNING :** To avoid alignment issue ,please don't tighten the screws unless all legs are adjusted at the same level .

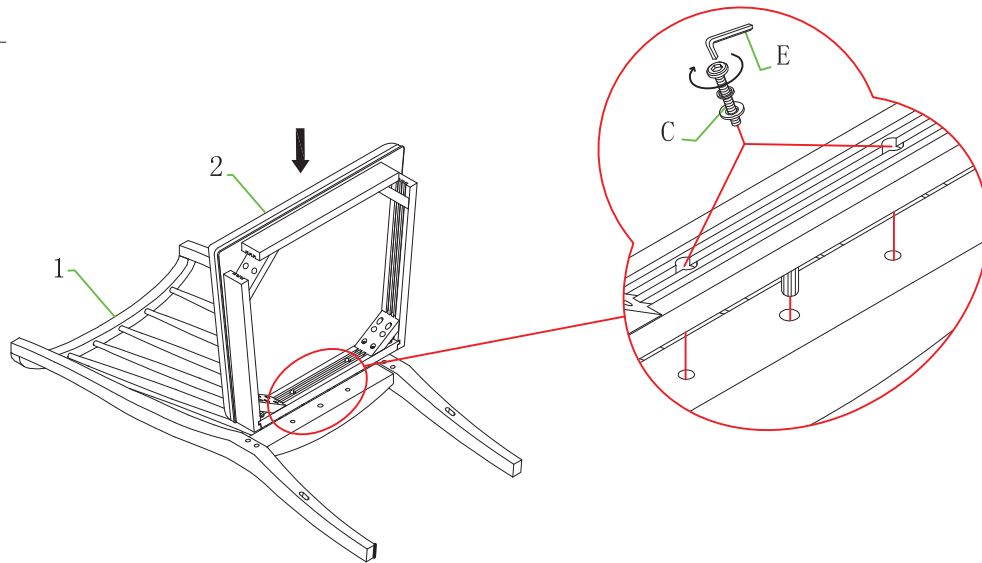
| HARDWARE LIST  |  |             |                 | QTY' | PART LIST |                                |  |   | QTY' |
|--|--|-------------|-----------------|------|-----------|--------------------------------|--|---|------|
| A  |  | Allen bolt  | Ø1/4"x20x3"     | 4    | 1         | BACK REST<br>(with tack glide) |  | 1 |      |
|  |  | Lock washer | Ø1/4"x12x2mm    |      |           |                                |  |   |      |
|  |  | Flat washer | Ø1/4"x19x2mm    |      |           |                                |  |   |      |
| B  |  | Allen bolt  | Ø1/4"x20x2-3/8" | 4    | 2         | SEAT FRAME WITH CUSHION        |  | 1 |      |
|  |  | Lock washer | Ø1/4" x12x2mm   |      |           |                                |  |   |      |
|  |  | Flat washer | Ø1/4" x19x2mm   |      |           |                                |  |   |      |
| C  |  | Allen bolt  | Ø1/4"x20x1-1/2" | 2    | 3         | LEG RIGHT<br>(with tack glide) |  | 1 |      |
|  |  | Lock washer | Ø1/4" x12x2mm   |      |           |                                |  |   |      |
|  |  | Flat washer | Ø1/4" x19x2mm   |      |           |                                |  |   |      |
| D  |  | Screw       | #8x1-3/4"       | 4    | 4         | LEG LEFT<br>(with tack glide)  |  | 1 |      |
|  |  |             |                 |      |           |                                |  |   |      |
| E  |  | Allen key   | 4mm             | 1    | 5         | BOTTOM RIGHT                   |  | 1 |      |
| <b>TOOL REQUIRED (NOT PROVIDED):</b><br><b>PHILLIPS SCREW DRIVER</b> |  |             |                 |      | 6         | BOTTOM LEFT                    |  | 1 |      |



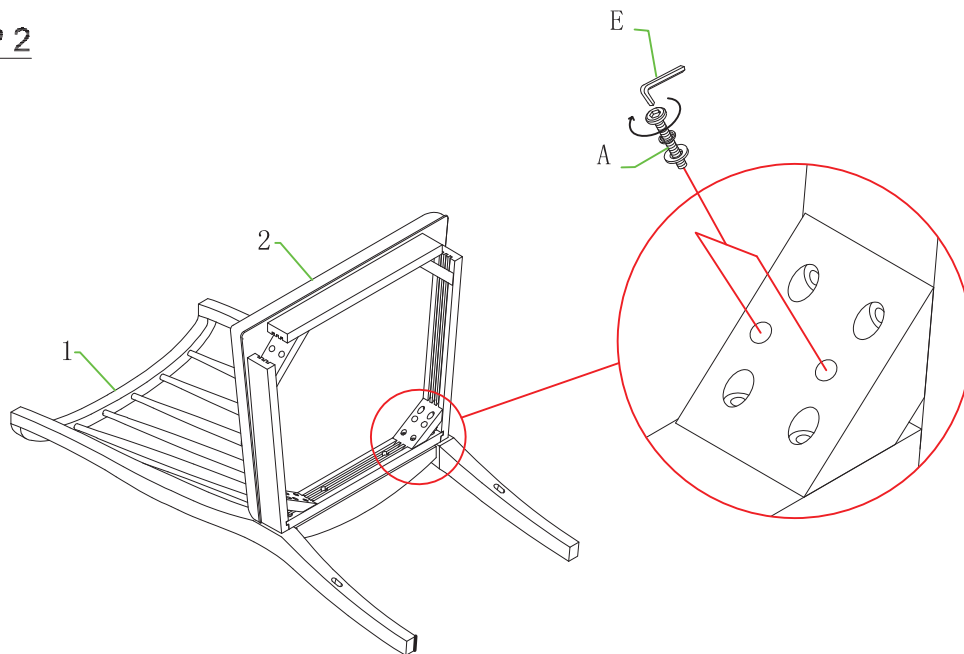
**ASSEMBLY COMPLETED**

\*\*\*Caution: Please read all instructions carefully before starting the assembly process. These parts are cumbersome and heavy. Therefore, two people are recommended in order to prevent personal injury and ensure the parts are not damaged during the assembly.

## STEP 1



## STEP 2

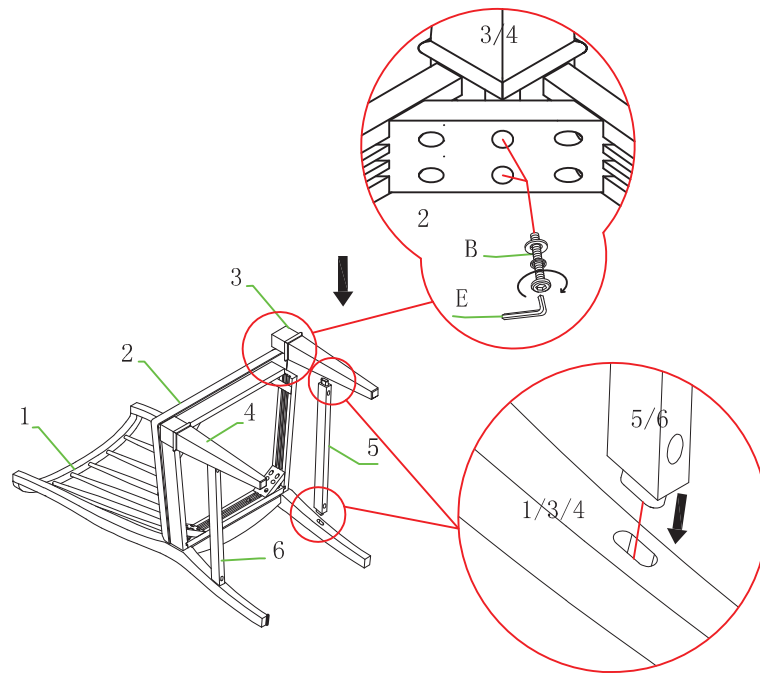


# Assembly Instruction

6067-561WT Side Chair Wood Spindle Back

\*\*\*Caution: Please read all instructions carefully before starting the assembly process. These parts are cumbersome and heavy. Therefore, two people are recommended in order to prevent personal injury and ensure the parts are not damaged during the assembly.

## STEP 3



## STEP 4

