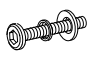
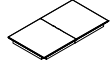

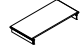



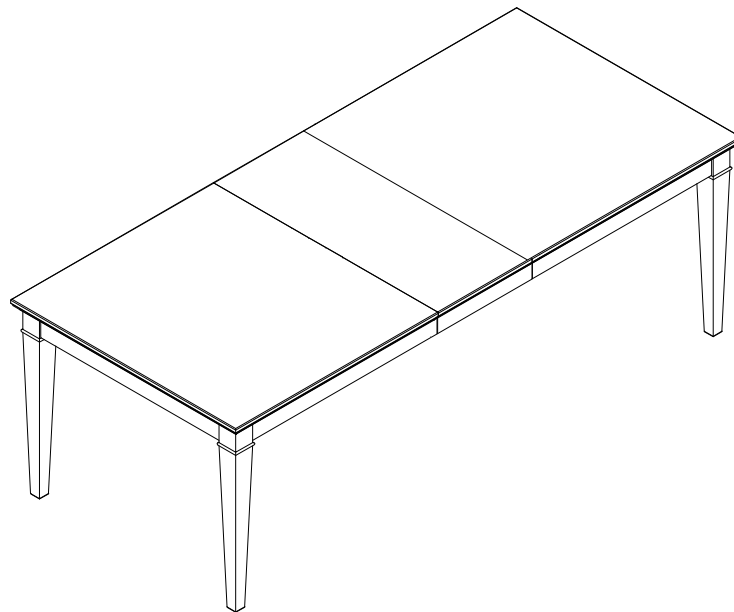


Assembly Instruction

6067-3890L Leg Table

WARNING : To avoid alignment issue ,please don't tighten the screws unless all legs are adjusted at the same level .

HARDWARE LIST				QTY'	PART LIST			QTY'
A		Allen bolt	φ5/16"x16x2-1/2"	8	1	TABLE TOP		1
		Lock washer	φ5/16"x22x2mm					
		Flat washer	φ5/16"x14x2mm					
B		Allen key	4mm	1	2	LEAF		1
					3	LEG (with tack glide)		4



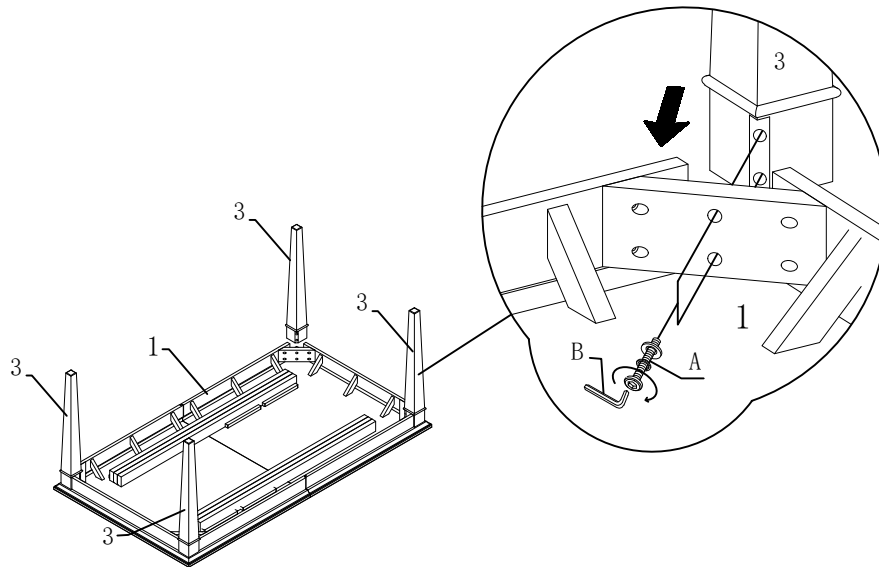
ASSEMBLY COMPLETED

Assembly Instruction

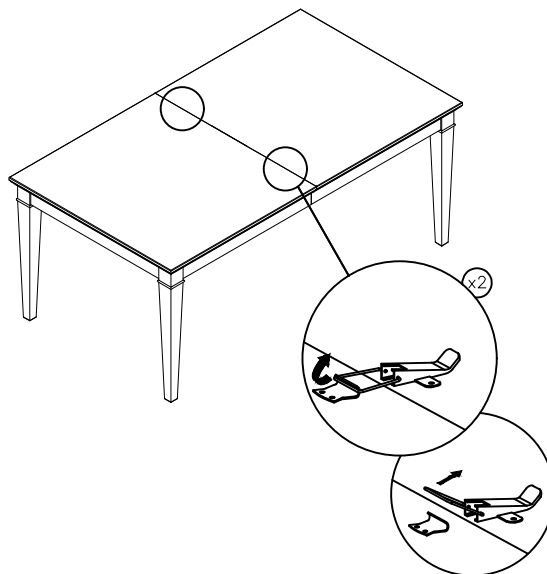
6067-3890L Leg Table

*****Caution: Please read all instructions carefully before starting the assembly process. These parts are cumbersome and heavy. Therefore, two people are recommended in order to prevent personal injury and ensure the parts are not damaged during the assembly.**

STEP 1



STEP 2

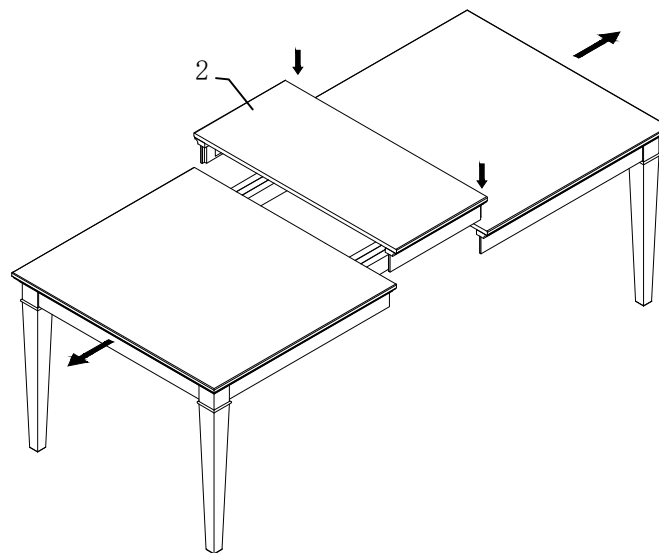


Assembly Instruction

6067-3890L Leg Table

*****Caution: Please read all instructions carefully before starting the assembly process. These parts are cumbersome and heavy. Therefore, two people are recommended in order to prevent personal injury and ensure the parts are not damaged during the assembly.**

STEP 3



STEP 4

