

# **ASSEMBLY INSTRUCTION**

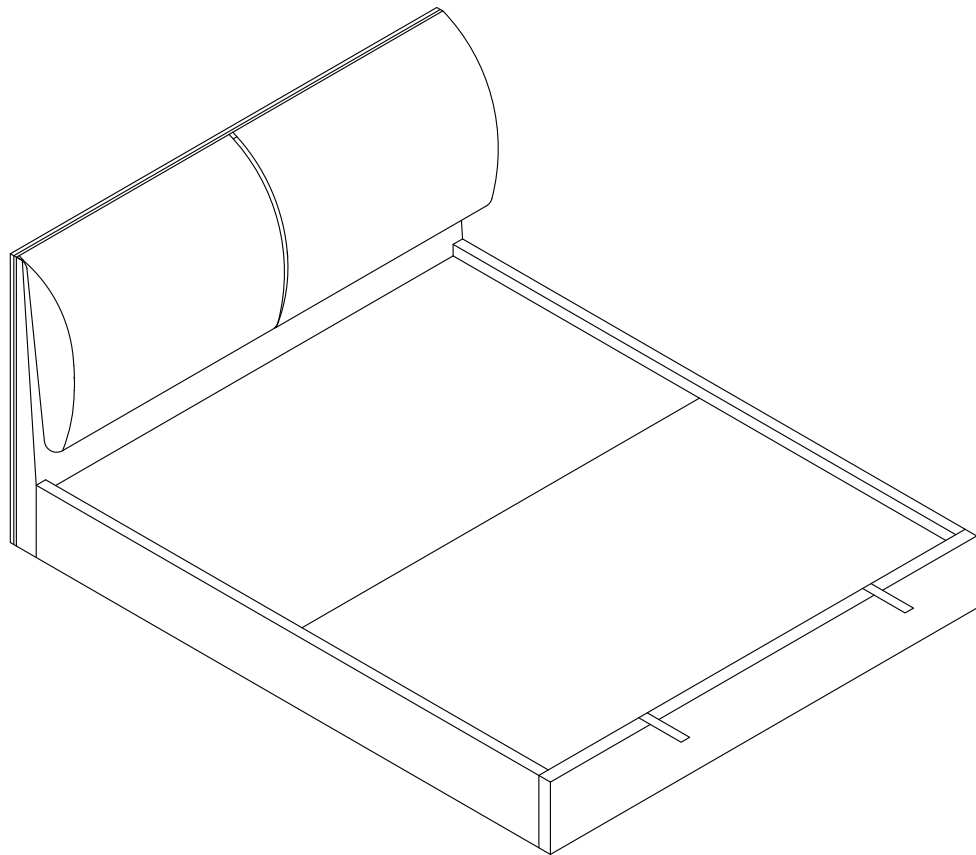
## **537#-KB BED W/LIFT-UP**

**PLACE ALLPARTS ON A CLEAN AND SMOOTH SURFACE**

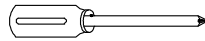
**FROM BEING SCRATCHED.**

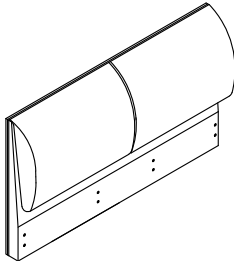
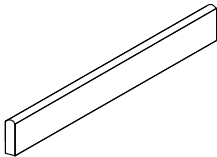
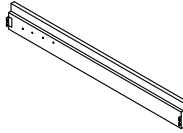
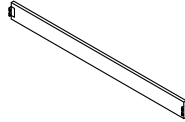

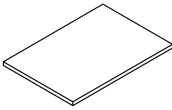
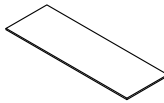
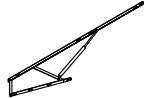
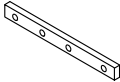
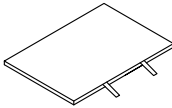
**KINDLY FOLLOW THE ASSEMBLY INSTRUCTIONS STEPS**

**DO NOT TIGHTEN ALL SCREWS UNTIL THE BED IS FULLY ASSEMBLED**

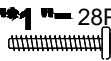





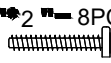


# PARTS LIST:

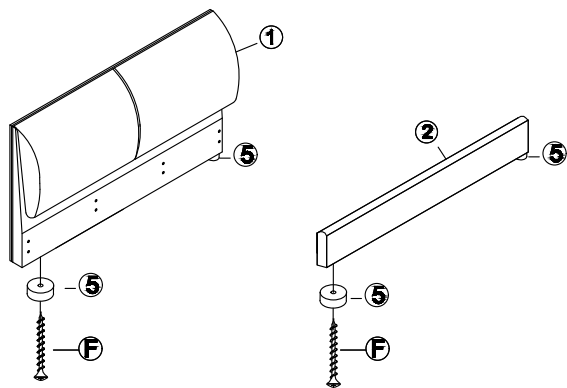


<p><b>1 Headboard-1pc</b></p> 	<p><b>2 Footboard-1pc</b></p> 	<p><b>3 Side Rail-2pcs</b></p> 	<p><b>4 Center Support Panel-2pcs</b></p> 
<p><b>5 Leg-4pcs</b></p> 	<p><b>6 Top Panel #1-1PC</b></p> 	<p><b>7 Bottom Panel-2PCS</b></p> 	<p><b>8 Metal Rack-2PCS</b></p> 
<p><b>9 Support Panel-2PCS</b></p> 	<p><b>10 Top Panel #2-1PC</b></p> 		

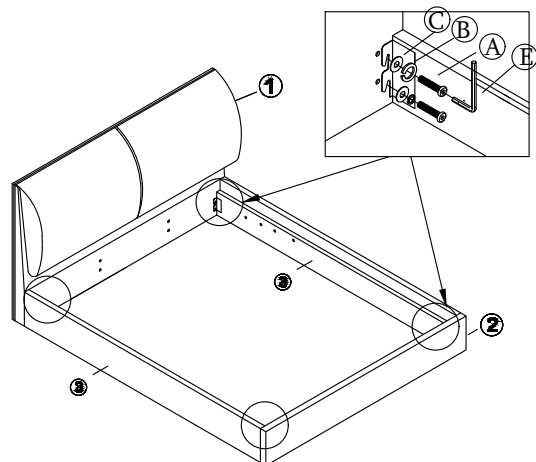
# HARDWARE LIST:

<p><b>A Bolt Ø</b> 5/16" * 1" - 28PCS</p> 	<p><b>B Spring Washer-36PCS</b></p> 	<p><b>C Flat Washer-36PCS</b></p> 
<p><b>D Allen Key-1pc</b></p> 	<p><b>E Nut-4pcs</b></p> 	<p><b>F Screw Ø8* 2" -4pcs</b></p> 
<p><b>G Bolt Ø</b> 5/16" * 2" - 8PCS</p> 		

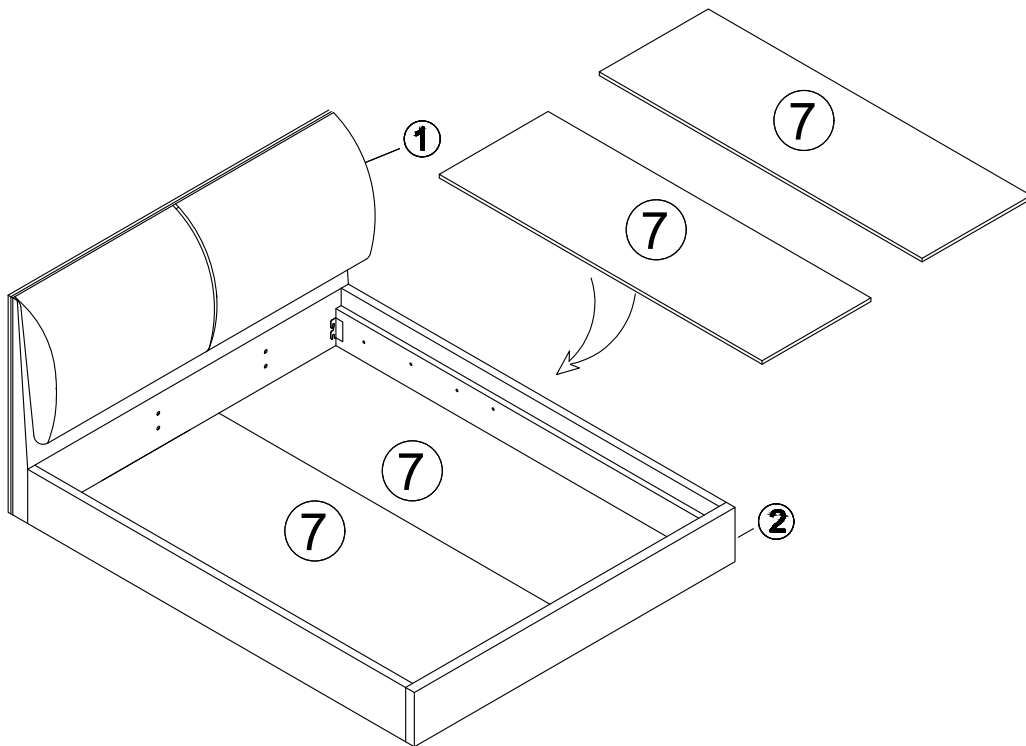
## STEP 1



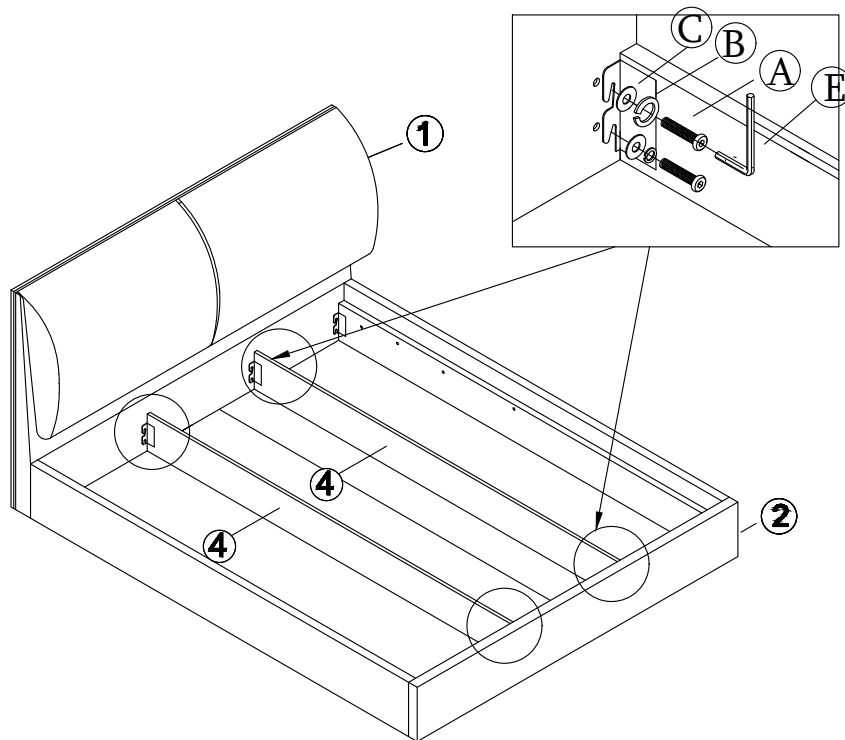
## STEP 2



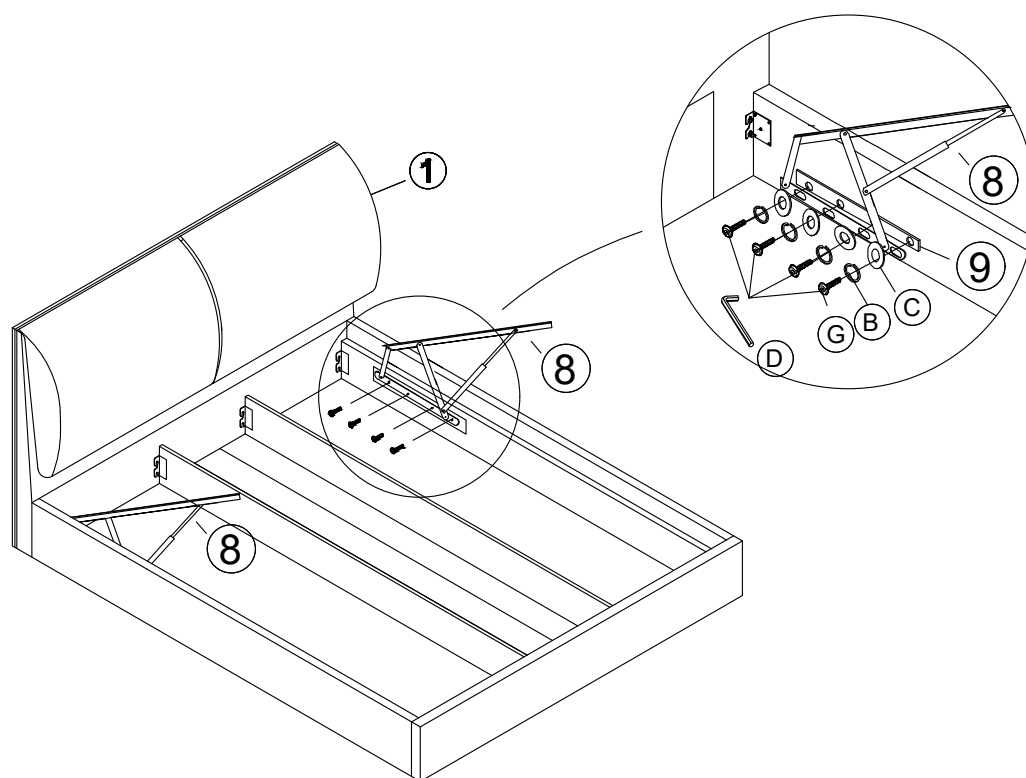
STEP 3



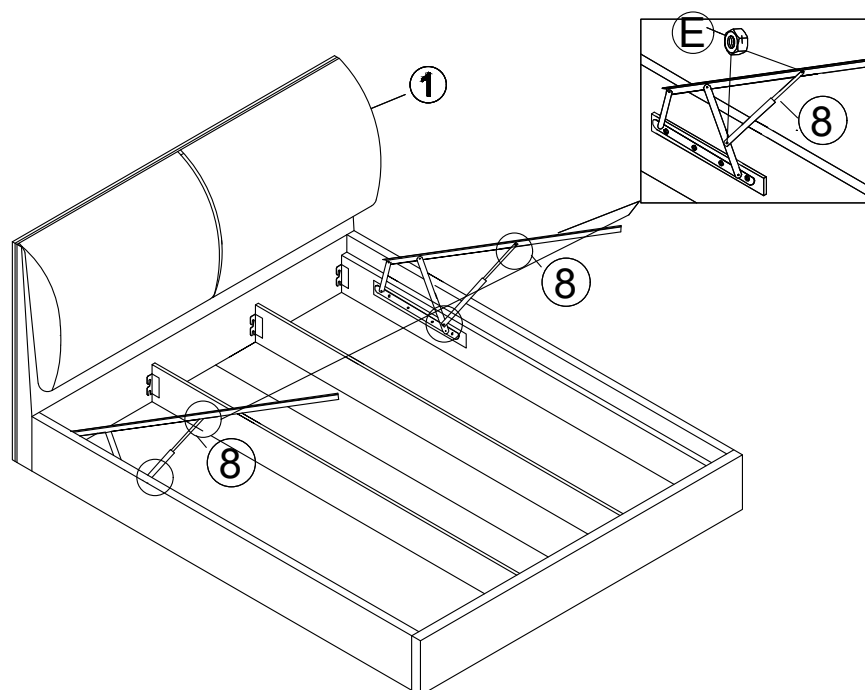
STEP 4



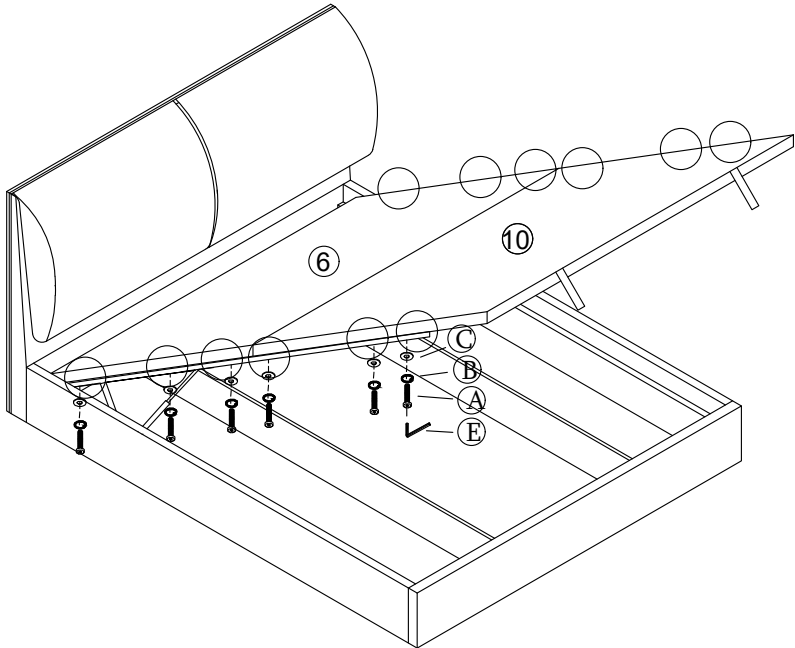
STEP 5



STEP 6



STEP 5



STEP 6

