

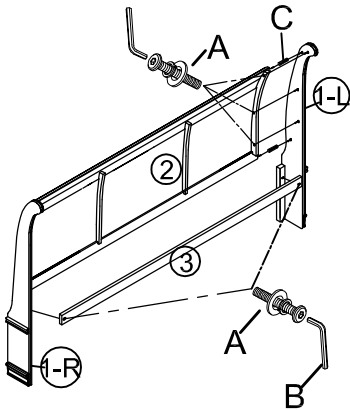
SKU: 32421923 33821922 33421924 33921924 33021926
32321921 33721920 33321922 33921924 33021926

C2192R-GX0-XXXX/C2192R-GTG-XXXX/C2192R-GXJ-XXXX/C2192R-BTN-XXXX/C2192R-MXS-XXXX KING STORAGE BED
C2192R-QX0-XXXX/C2192R-QTG-XXXX/C2192R-QXJ-XXXX/C2192R-BTN-XXXX/C2192R-MXS-XXXX QUEEN STORAGE BED

Caution: Please read instructions thoroughly before unpacking assembly parts. Sharp, exposed staple tips can cause injury, therefore, for your protection, please remove any exposed staple used in packing.

1. We recommend that you should assemble this product with the assistance of another person; this will make assembly easier, and will help to eliminate damage to the product or injury to persons during assembly.
2. Be sure to check all packing materials carefully for small parts that may have come loose inside the carton during shipment.
3. please do not over tighten screws or bolts.
4. Please put all parts on a non-abrasive floor before assembly, and follow the assembly steps to assemble your newly purchased product correctly and efficiently.

STEP 1

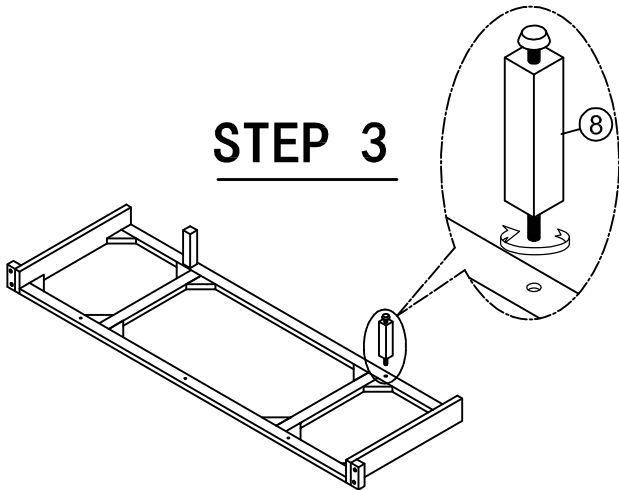


STEP 2

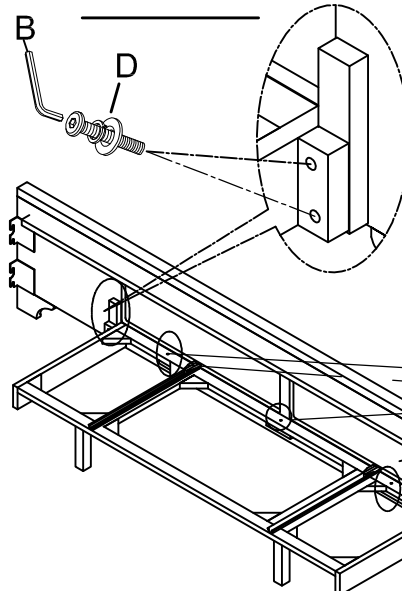
HARDWARE LISTS			
No.	OUTLOOK	SIZE	Q'TY
A		JCBC bolt 5/16"X18X35mm	8PCS
		Lock Washer 5/16"	8PCS
		Flat Washer 5/16"X19mmX1mm	8PCS
B		Allen Key	3PCS
C		Wooden Dowel	4PCS
D		JCBC Bolt 1/4"X20X38mm	12PCS
		Lock Washer 1/4"	12PCS
		Flat Washer 1/4"X19mmX1mm	12PCS
E		Wood Screw Ø8XØ4X1-1/4"	25PCS

PART LISTS			
No.	Description	Sketch	Quantity
①	Headboard Leg (L&R)		2PCS
②	Headboard panel		1PC
③	Headboard bottom rail		1PC
④	Siderail (L&R)		2PCS
⑤	Footboard		1PC
⑥	Bottom frame for drawer of siderail		2PCS
⑦	Bottom frame for drawer of footboard		1PC
⑧	Support leg of bottom frame		6PCS
⑨	Drawer for siderail		4PCS
⑩	Drawer for footboard		2PCS
⑪	Center Slat		1PC
⑫	Support leg for center slat		3PCS
⑬	Slats		1SET (14PCS)

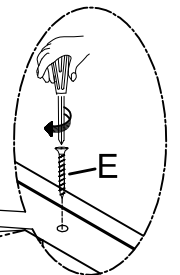
STEP 3



STEP 4



STEP 5

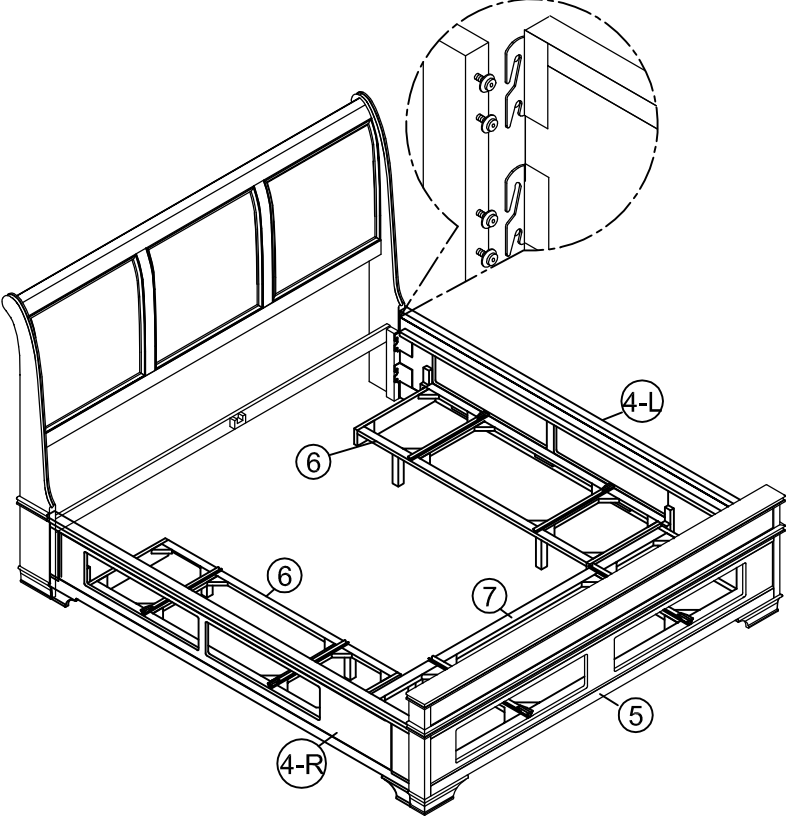


Repeat STEP 4 & 5 for the assembly of another siderail & siderail drawer bottom frame, the assembly of footboard & footboard drawer bottom frame.

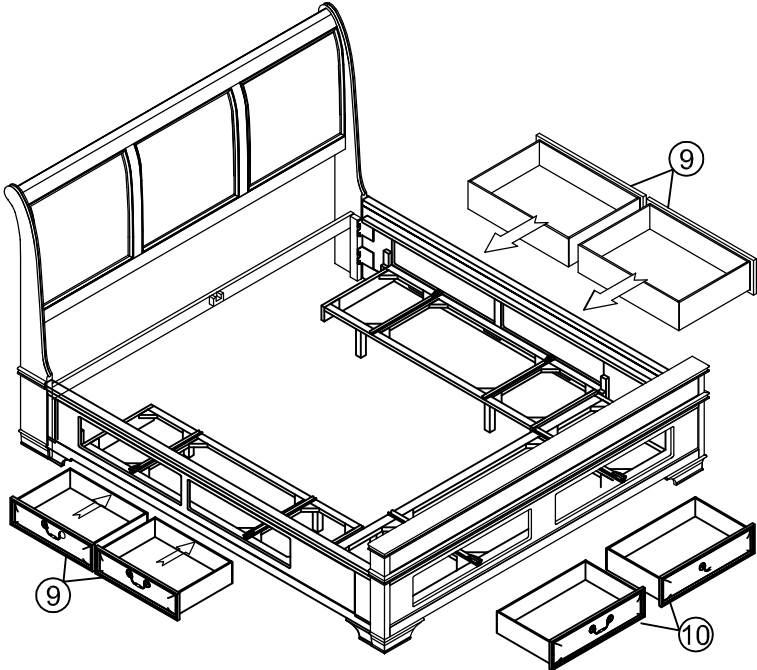
SKU: 32421923 33821922 33421924 33921924 33021926
32321921 33721920 33321922 33921924 33021926

C2192R-GX0-XXXX/C2192R-GTG-XXXX/C2192R-GXJ-XXXX/C2192R-BTN-XXXX/C2192R-MXS-XXXX KING STORAGE BED
C2192R-QX0-XXXX/C2192R-QTG-XXXX/C2192R-QXJ-XXXX/C2192R-BTN-XXXX/C2192R-MXS-XXXX QUEEN STORAGE BED

STEP 6



STEP 7

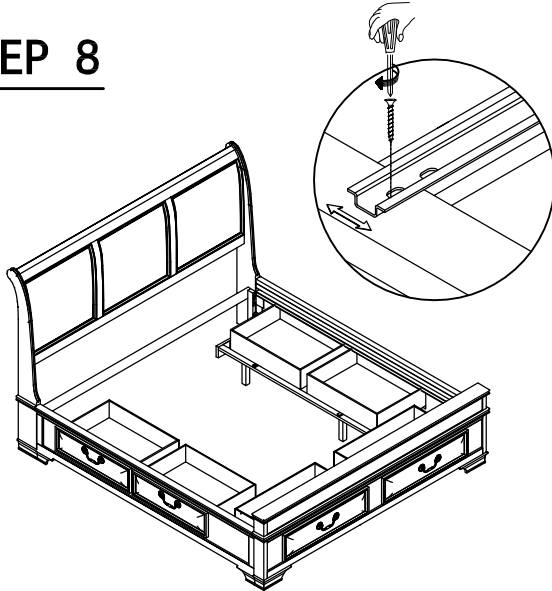


SKU: 32421923 33821922 33421924 33921924 33021926
32321921 33721920 33321922 33921924 33021926

C2192R-GX0-XXXX/C2192R-GTG-XXXX/C2192R-GXJ-XXXX/C2192R-BTN-XXXX/C2192R-MXS-XXXX KING STORAGE BED
C2192R-QX0-XXXX/C2192R-QTG-XXXX/C2192R-QXJ-XXXX/C2192R-BTN-XXXX/C2192R-MXS-XXXX QUEEN STORAGE BED

- IMPORTANT NOTES:**
1. Make sure the headboard and footboard form 90° angles with the siderails when assembled.
 2. Adjust the drawer glide screws on the drawer slats to eliminate any gaps between the siderails and the drawer front panel, See STEP 8 below.

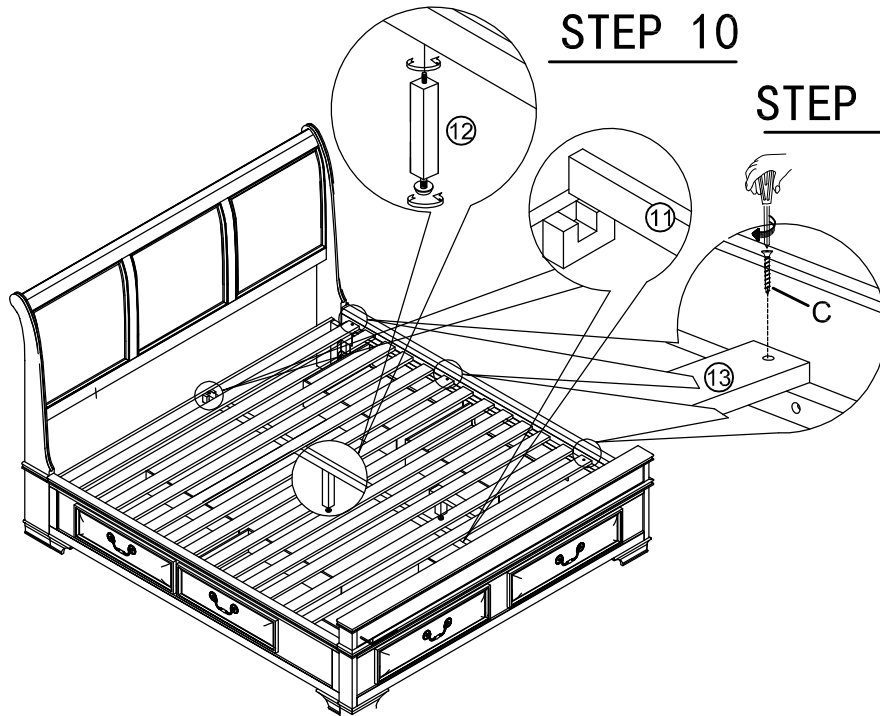
STEP 8



STEP 9

STEP 10

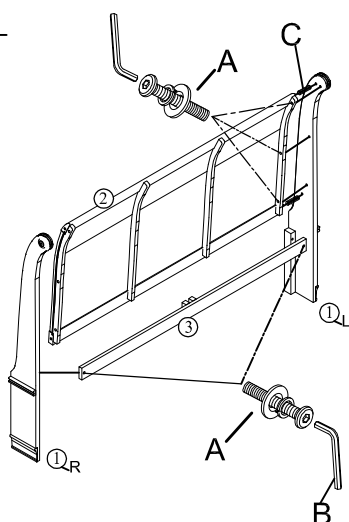
STEP 11



Caution: Please read instructions thoroughly before unpacking assembly parts. Sharp, exposed staple tips can cause injury, therefore, for your protection, please remove any exposed staple used in packing.

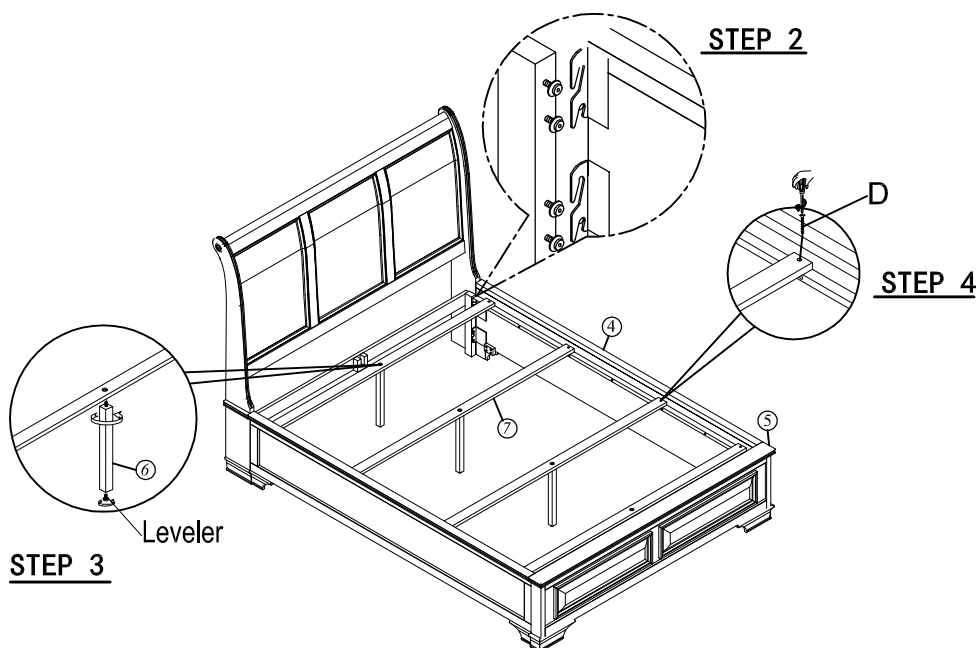
1. We recommend that you should assemble this product with the assistance of another person; this will make assembly easier, and will help to eliminate damage to the product or injury to persons during assembly.
2. Be sure to check all packing materials carefully for small parts that may have come loose inside the carton during shipment.
3. please do not over tighten screws or bolts.
4. Please put all parts on a non-abrasive floor before assembly, and follow the assembly steps to assemble your newly purchased product correctly and efficiently.

STEP 1



HARDWARE LISTS			
No.	OUTLOOK	SIZE	Q'TY
A		JCBC bolt	8PCS
		5/16"X18X35mm	
		Lock Washer	8PCS
		5/16"	
B		Allen Key	1PC
C		Wooden Dowel	4PCS
D		Wood Screw	8PCS
		Ø8XØ4X1-1/4"	

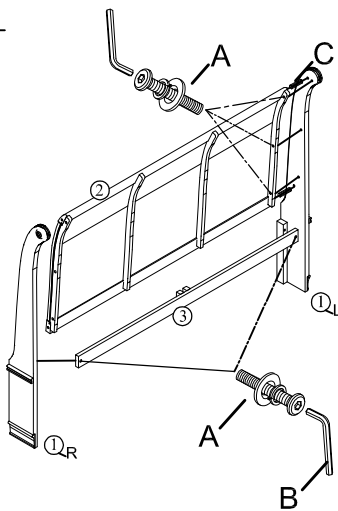
PART LISTS			
①	Head board Leg (L&R)		2PCS
②	Head board panel		1PC
③	Head board bottom rail		1PC
④	Side rail		2PCS
⑤	Foot Board		1PC
⑥	Support legs for center slat		4PCS
⑦	Slats		4PCS



Caution: Please read instructions thoroughly before unpacking assembly parts. Sharp, exposed staple tips can cause injury, therefore, for your protection, please remove any exposed staple used in packing.

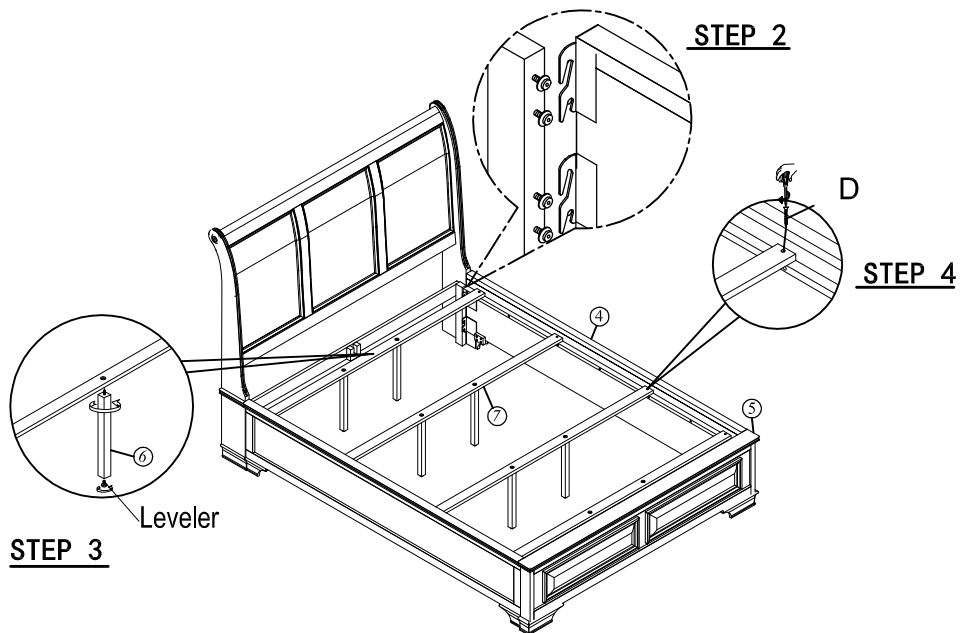
1. We recommend that you should assemble this product with the assistance of another person; this will make assembly easier, and will help to eliminate damage to the product or injury to persons during assembly.
2. Be sure to check all packing materials carefully for small parts that may have come loose inside the carton during shipment.
3. please do not over tighten screws or bolts.
4. Please put all parts on a non-abrasive floor before assembly, and follow the assembly steps to assemble your newly purchased product correctly and efficiently.

STEP 1




HARDWARE LISTS			
No.	OUTLOOK	SIZE	Q'TY
A		JCBC bolt 5/16"X18X35mm	8PCS
		Lock Washer 5/16"	8PCS
		Flat Washer 5/16"X19mmX1mm	8PCS
B		Allen Key	1PC
C		Wooden Dowel	4PCS
D		Wood Screw Ø8XØ4X1-1/4"	8PCS

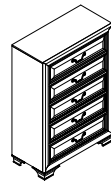
PART LISTS		
①	Head board Leg (L&R)	2PCS
②	Head board panel	1PC
③	Head board bottom rail	1PC
④	Side rail	2PCS
⑤	Foot Board	1PC
⑥	Support legs for center slat	8PCS
⑦	Slats	4PCS



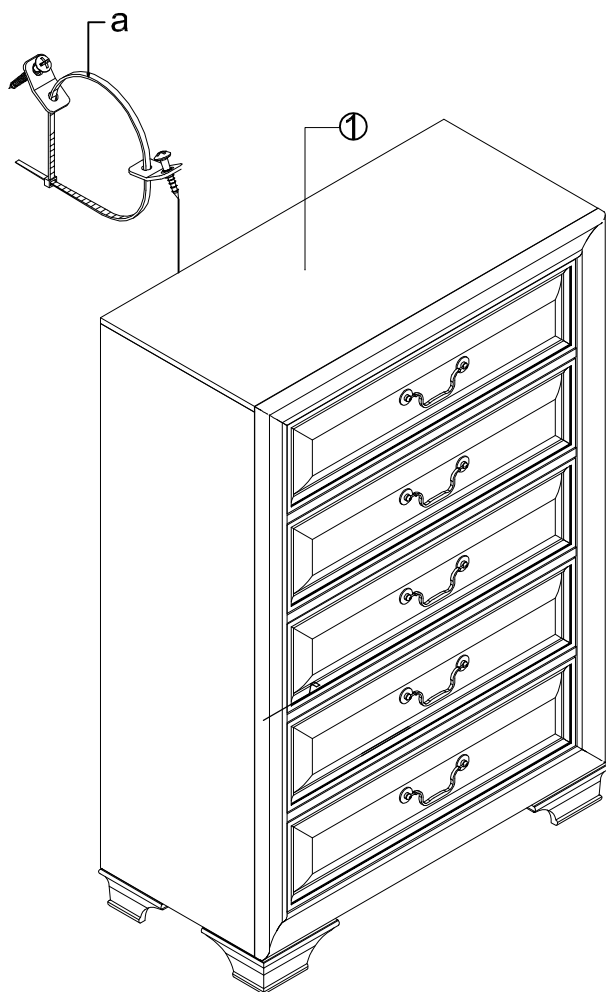
Caution: Please read instructions thoroughly before unpacking assembly parts. Sharp, exposed staple tips can cause injury, therefore, for your protection, please remove any exposed staple used in packing.

1. We recommend that you should assemble this product with the assistance of another person; this will make assembly easier, and will help to eliminate damage to the product or injury to persons during assembly.
2. Be sure to check all packing materials carefully for small parts that may have come loose inside the carton during shipment.
3. please do not over tighten screws or bolts.
4. Please put all parts on a non-abrasive floor before assembly, and follow the assembly steps to assemble your newly purchased product correctly and efficiently.

TOOLS REQUIRED (NOT PROVIDED)	
PHILLIPS SCREWDRIVER	

PARTS LIST:			
No.	Sketch	Description	Quantity
1		CHEST	1PC

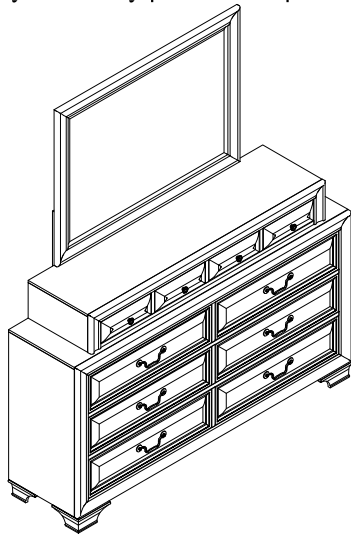
STEP 1





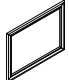

HARDWARE LIST:			
No.	Sketch	Description	Quantity
a		TIPPING RESTRAINT	1SET

Caution: Please read instructions thoroughly before unpacking assembly parts. Sharp, exposed staple tips can cause injury, therefore, for your protection, please remove any exposed staple used in packing.

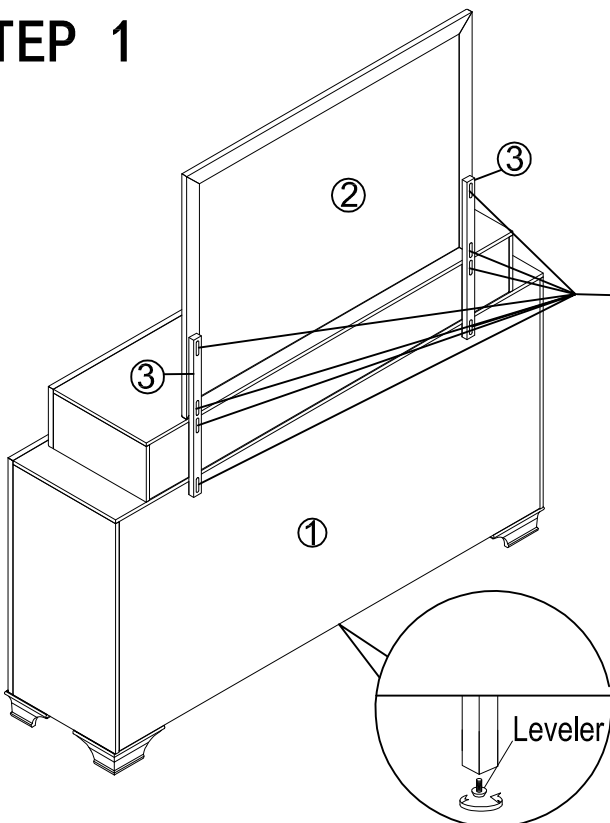
1. We recommend that you should assemble this product with the assistance of another person; this will make assembly easier, and will help to eliminate damage to the product or injury to persons during assembly.
2. Be sure to check all packing materials carefully for small parts that may have come loose inside the carton during shipment.
3. please do not over tighten screws or bolts.
4. Please put all parts on a non-abrasive floor before assembly, and follow the assembly steps to assemble your newly purchased product correctly and efficiently.



TOOLS REQUIRED (NOT PROVIDED)	
PHILLIPS SCREWDRIVER	

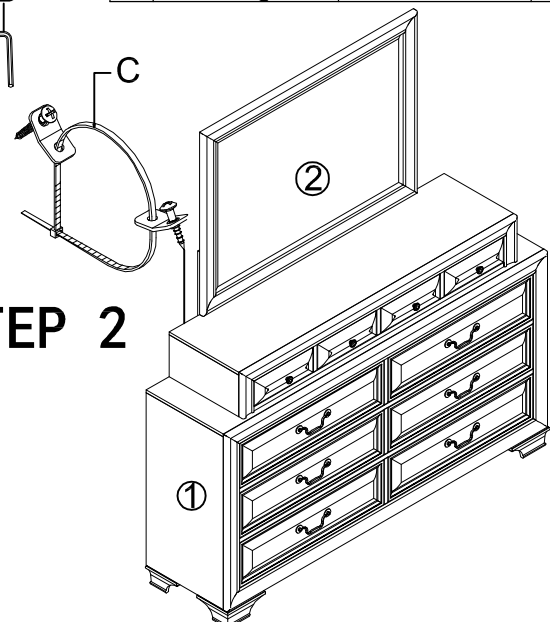
PARTS LIST:			
No.	Sketch	Description	Quantity
1		DRESSER	1PC
2		MIRROR	1PC
3		MIRROR SUPPORTS	2PCS

STEP 1




HARDWARE LISTS			
No.	OUTLOOK	SIZE	Q'TY
A		JCBC Bolt 1/4"X20X32mm	8PCS
		Lock Washer 1/4"	8PCS
		Flat Washer 1/4"X19mmX1mm	8PCS
B		Allen Key	1PC
C		Tipping Restraint	1SET

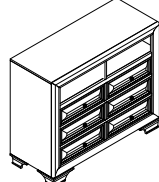
STEP 2

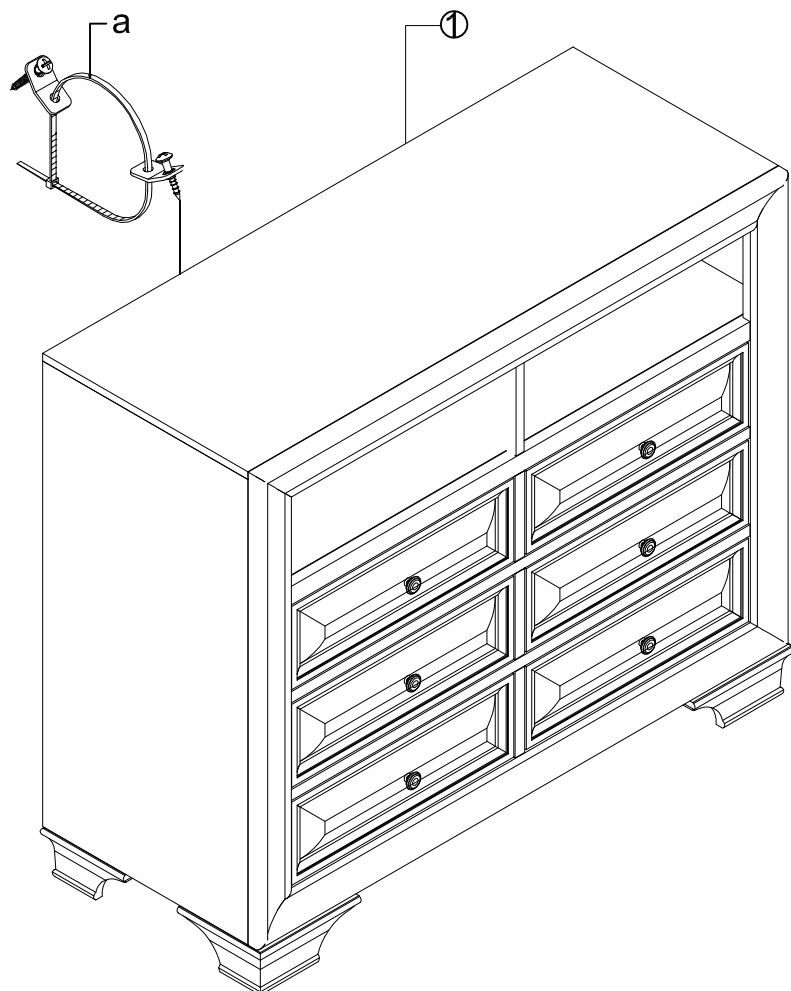


Caution: Please read instructions thoroughly before unpacking assembly parts. Sharp, exposed staple tips can cause injury, therefore, for your protection, please remove any exposed staple used in packing.

1. We recommend that you should assemble this product with the assistance of another person; this will make assembly easier, and will help to eliminate damage to the product or injury to persons during assembly.
2. Be sure to check all packing materials carefully for small parts that may have come loose inside the carton during shipment.
3. please do not over tighten screws or bolts.
4. Please put all parts on a non-abrasive floor before assembly, and follow the assembly steps to assemble your newly purchased product correctly and efficiently.

TOOLS REQUIRED (NOT PROVIDED)	
PHILLIPS SCREWDRIVER	

PARTS LIST:			
No.	Sketch	Description	Quantity
1		PLASMA CHEST	1PC



HARDWARE LIST:			
No.	Sketch	Description	Quantity
a		TIPPING RESTRAINT	1SET