

ASSEMBLY INSTRUCTION

**MODEL:SB251A
DRESSER & MIRROR**

(Box 1)

BOX OF MIRROR

NO	ITEM	Qty
A	MIRROR	1 PC

(Box 2)

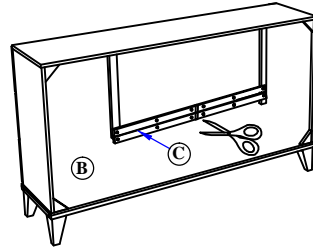
BOX OF DRESSER

NO	ITEM	Qty
B	DRESSER	1 PC
C	MIRROR SUPPORT	2 PCS

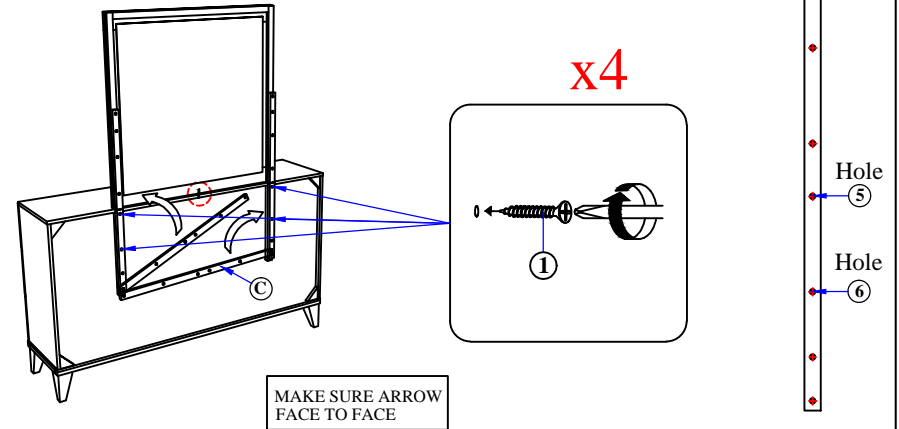
**(Box 1)
HARDWARE LIST**

NO	ITEM	Qty
1	Flat Head Chipboard Screw m4x32mm Rbw	10 PCS

STEP 1 : Cut of the Raffia String from the back of DRESSER (B).

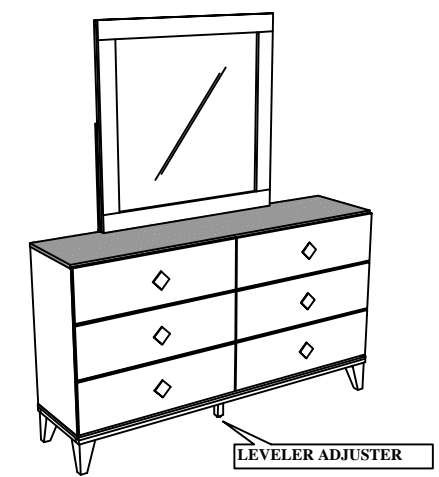
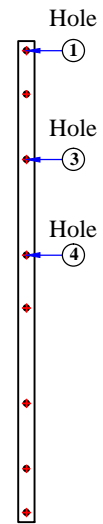
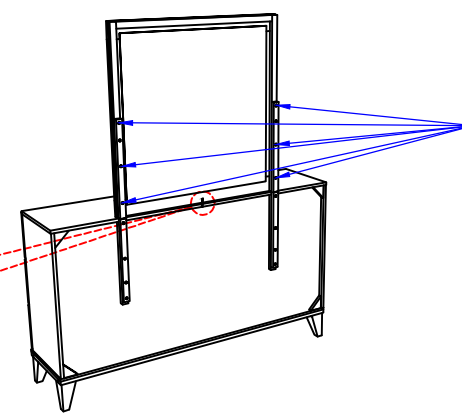


STEP 2 : Place the MIRROR FRAME (A) on the top of DRESSER (B), turn the MIRROR SUPPORT RAIL (C) upward at the back of DRESSER (B), then Tighten with CSK SCREW (1).



STEP 3 : Tighten the CSK Screw (1) as shown.

Mirror line marking
Dresser line marking



COMPLETED ASSEMBLY

NOTE : MUST TIGHTEN SCREWS PERIODCALLY WITH USE SCREW WILL BECOME LOOSE CHECK TIGHTNESS OF ALL SCREW EVERY 6-8 WEEKS.