

ASSEMBLY INSTRUCTION



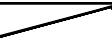


STEP ONE FURNITURE

STOF TRUNDLE

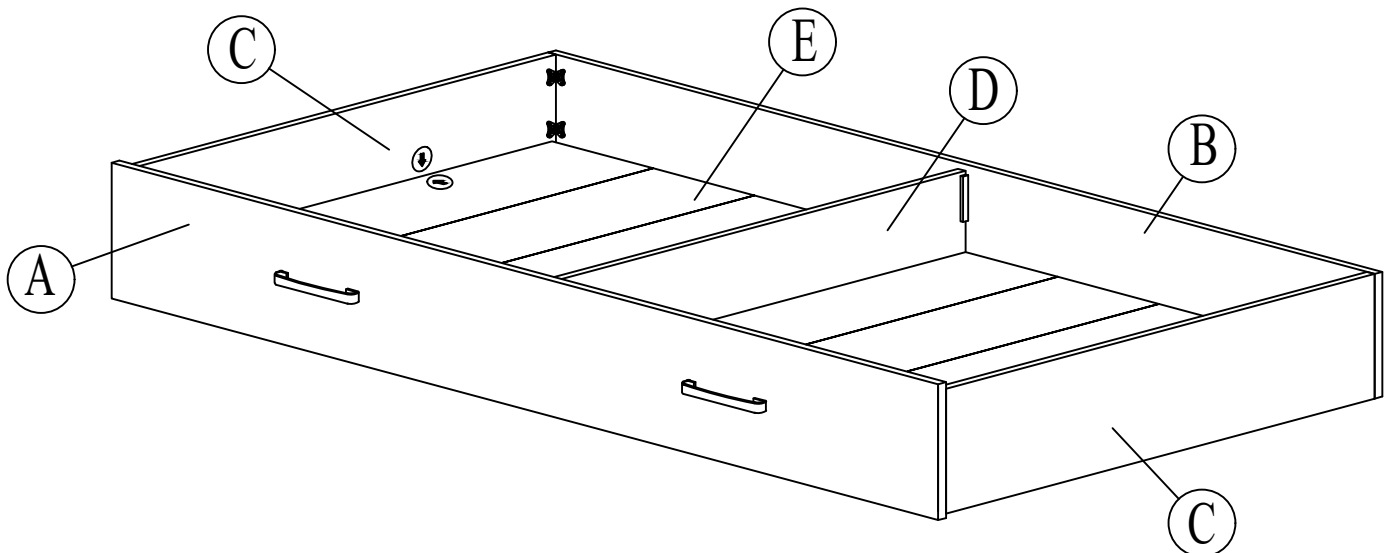
SKU 35327041 - 27014 - 84

SKU 35327053 - 27015 - 84

Thank you for purchasing this quality product. Be sure to check all packing material carefully for small parts, which may have come loose inside the carton during shipment. Identify and count all parts and compare with the parts list below:

	No.	Picture	Description	Dimension	Qty
Hardware List	①		Screw	14mm	8 Pcs
	②		Handle With Screw	-	2 Set
	③		Stabilizer Bar	-	1 Pc
	④		Bracket-Acrylic L Protector	-	2 Pcs
	⑤		Screw M3.5 x 16mm	-	6 Pcs
Part List	No.	Description			Qty
	A	Front Panel			1 Pc
	B	Back Panel			1 Pc
	C	Side Panel			2 Pcs
	D	Center Vertical Panel			1 Pc
	E	Slats Roll (4 Pcs)			2 Roll

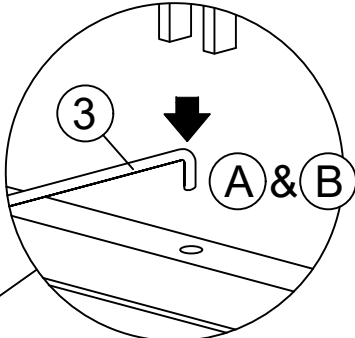
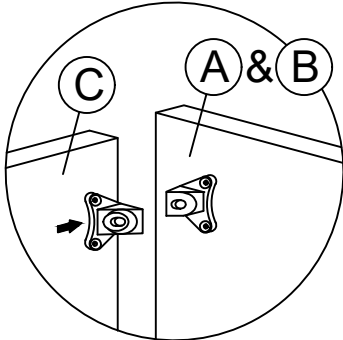
* Hardware Packed Inside Trundle.



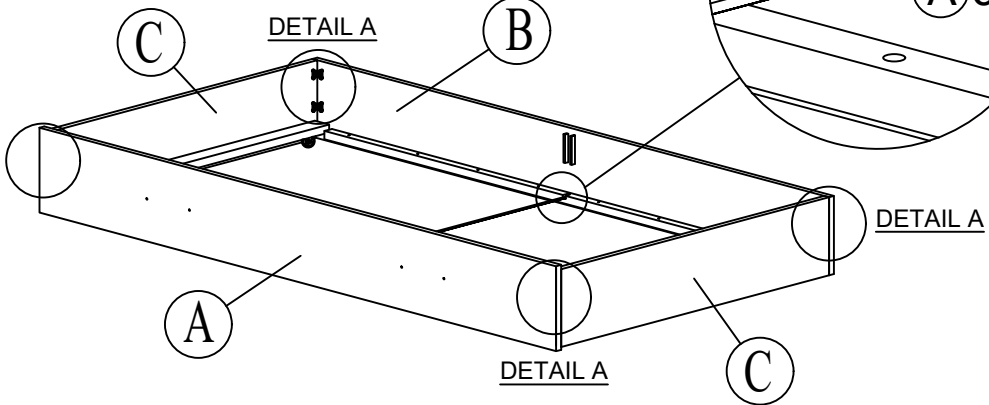
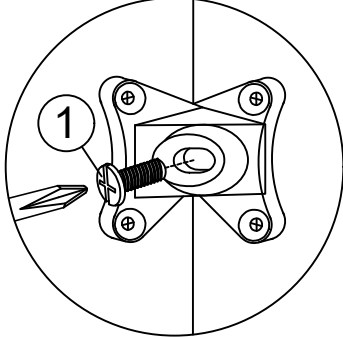
Assembly Step

STEP 1

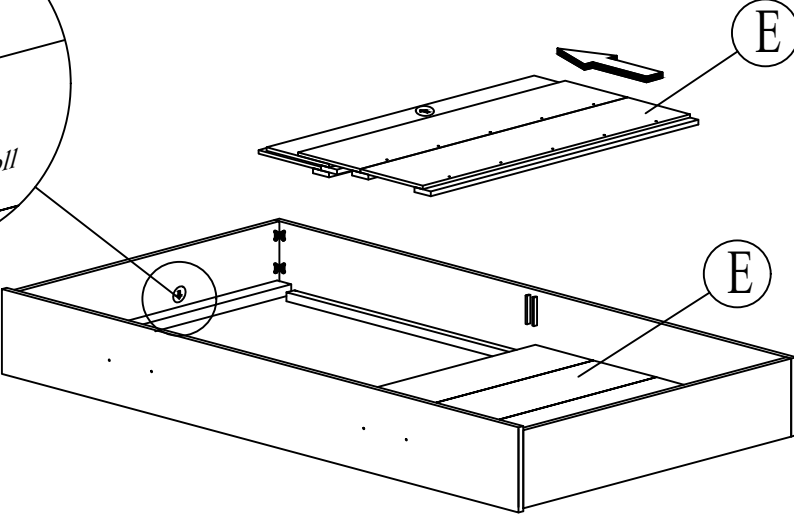
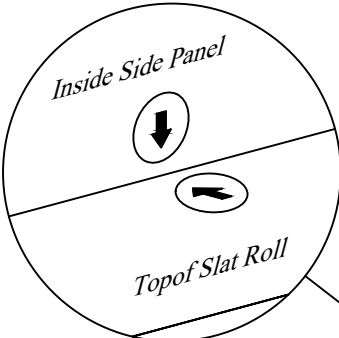
DETAIL A



DETAIL A

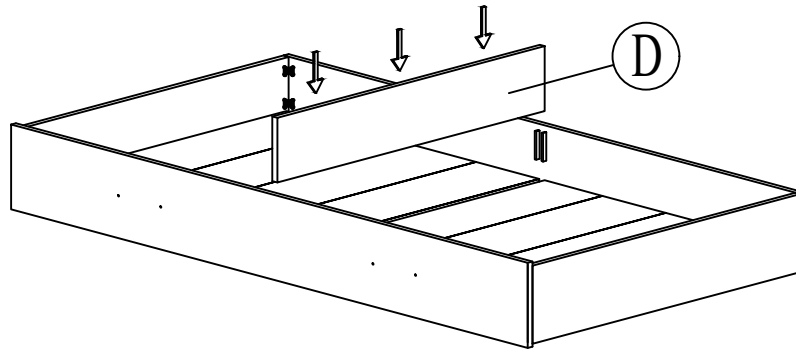


STEP 2 JOIN BY ARROW STICKER.

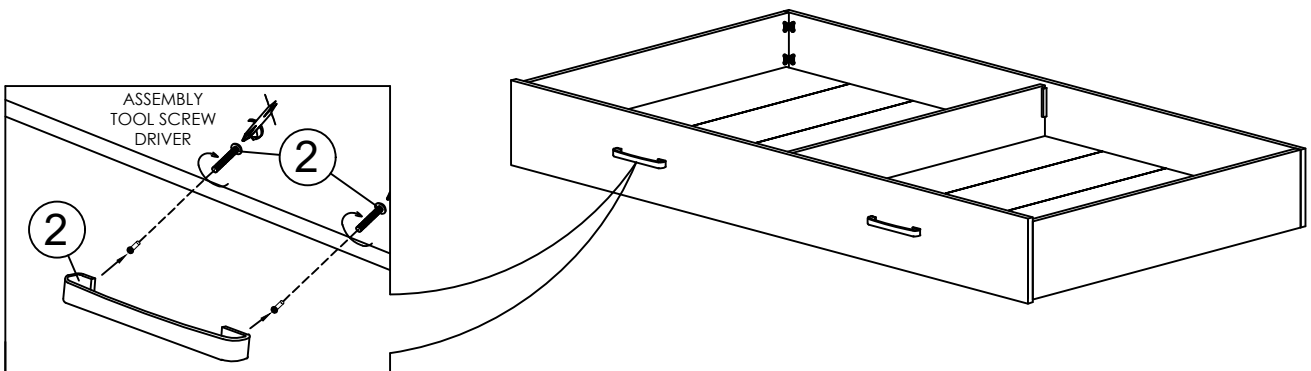


Assembly Step

STEP 3

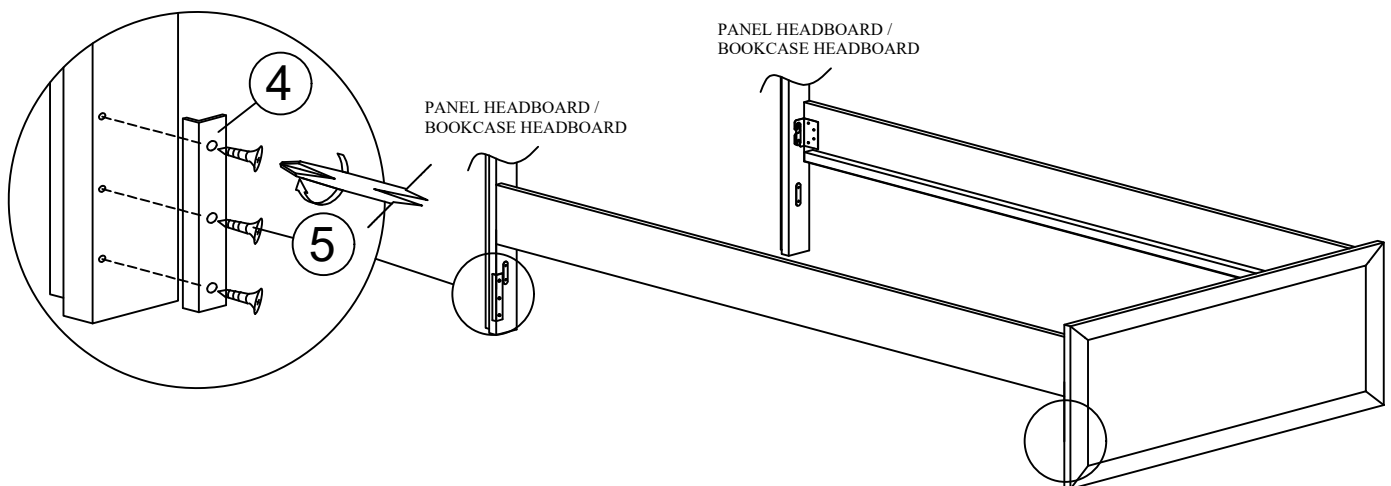


STEP 4



STEP 5

FIX THE BRACKET-ACRYLIC L PROTECTOR (4) AS SHOWN BELOW. PREVENTING THE COLLISION TO THE HEADBOARD BRACKET.



ASSEMBLY TIPS:

1. Remove hardware from box and sort by size.
2. Please check to see that all hardware and parts are present prior start of assembly.
3. Please follow attached instructions in the same sequence as numbered to assure fast and easy assembly.

▲ WARNING!

1. Don't attempt to repair or modify parts that are broken or defective. Please contact the store immediately.
2. This product is for home use only and not intended for commercial establishments.