

ASSEMBLY INSTRUCTIONS

DESCRIPTION : QUEEN HEADBOARD & FOOTBOARD (4 SLATS, 4 SUPPORTS) / SIDERAIL, FULL HEADBOARD & FOOTBOARD (4 SLATS, 4 SUPPORTS) / SIDERAIL.

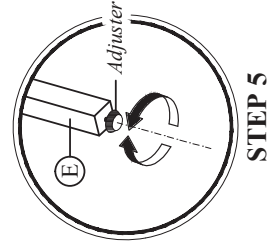
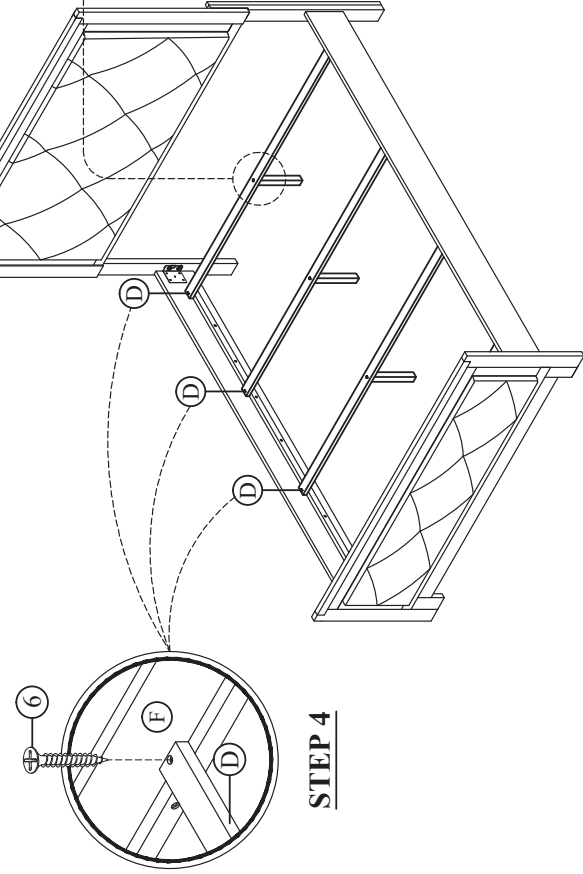
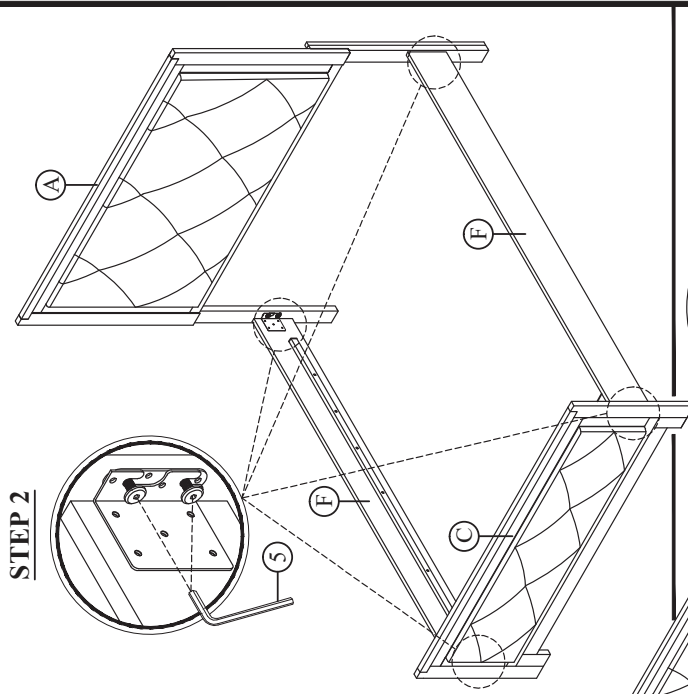
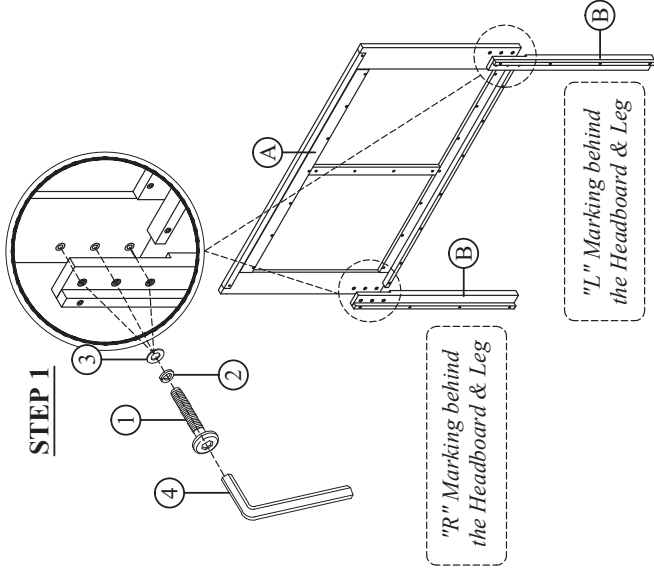
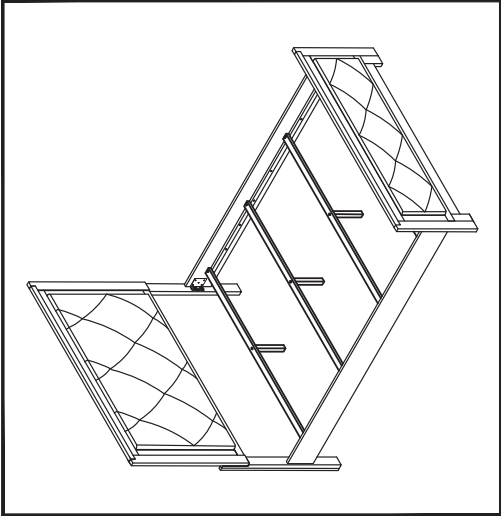
MODEL : C1071A-Q48 / C1071A-BXN
 C1071A-F48 / C1071A-FXN
 C1071L-Q48 / C1071L-BXN
 C1071L-F48 / C1071L-FXN

REVISION : A

| Component List | | |
|--------------------------------------|-----------------|-----|
| No | Descriptions | Qty |
| Headboard & Headboard Leg | | |
| A | Headboard Panel | 1 |
| B | Leg (L/R) | 2 |
| C | Footboard Panel | 1 |
| D | Slat | 4 |
| E | Slat Support | 4 |

| Side Rail | | |
|-----------|--------------|-----|
| No | Descriptions | Qty |
| F | Side Rail | 2 |

| Hardware List In Headboard & Footboard | | |
|--|--------------------------|-----|
| No | Descriptions | Qty |
| 1 | JCBC Screw M6 x 30mm | 6 |
| 2 | Spring Washer Ø1/4" | 6 |
| 3 | Flat Washer Ø1/4" x 13mm | 6 |
| 4 | L Key M4 | 1 |
| 5 | L Key M5 | 1 |
| 6 | CSK M4 x 32mm | 8 |



NOTE : MUST TIGHTEN SCREWS PERIODICALLY WITH USE SCREW WILL BECOME LOOSE. CHECK TIGHTNESS OF ALL SCREW EVERY 6-8 WEEKS.

INSTRUCTIONS D'ASSEMBLAGE

DESCRIPTION : TÊTE & PIED DE GRAND LIT (4 LATTES, 4 SUPPORTS) / LONGERON.
TÊTE & PIED DE LIT (4 LATTES, 4 SUPPORTS) / LONGERON.

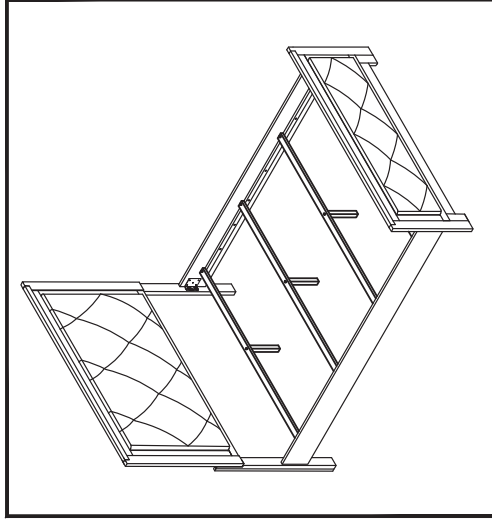
MODELE : C1071A-Q48 / C1071A-BXN
C1071A-F48 / C1071A-FXN
C1071L-Q48 / C1071L-BXN
C1071L-F48 / C1071L-FXN

REVISION : A

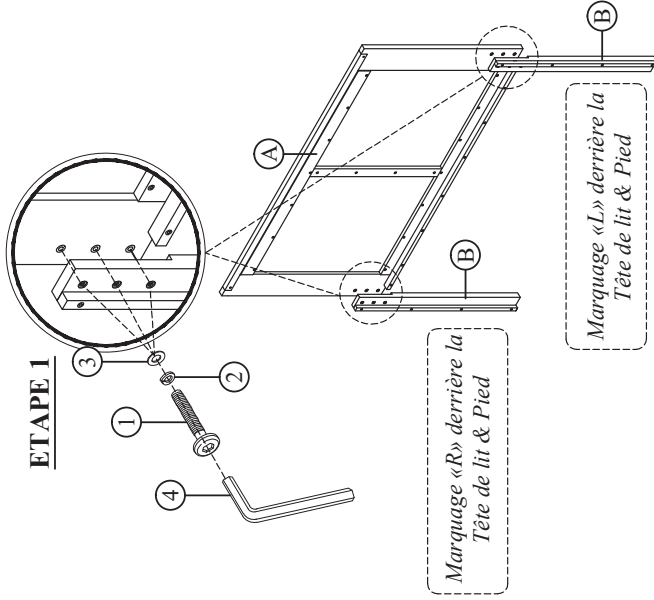
| Composants | | |
|--------------------|------------------|-----|
| Tête & Pied de Lit | | |
| N° | Descriptions | Qté |
| A | Tête de Lit | 1 |
| B | Pied (R/L) | 2 |
| C | Pied de Lit | 1 |
| D | Latte | 4 |
| E | Soutien de Latte | 4 |

| Longeron | | |
|----------|--------------|-----|
| N° | Descriptions | Qté |
| F | Longeron | 2 |

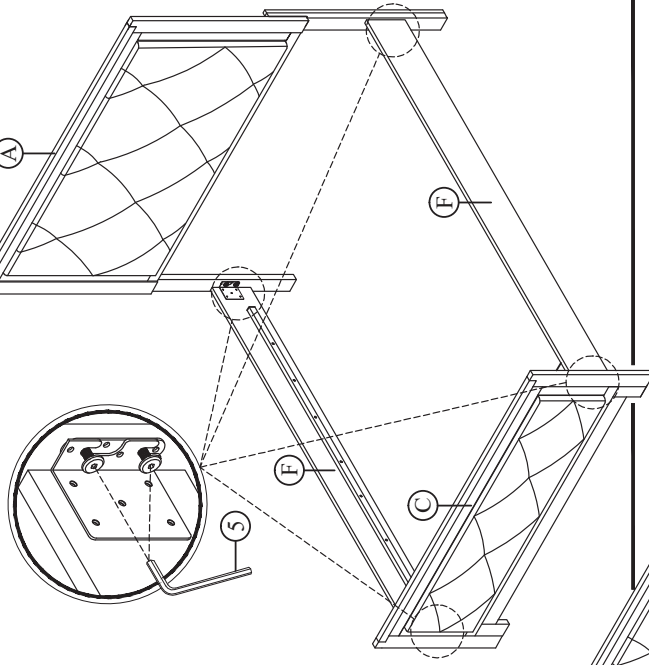
| Quincaillerie en Tête et Pied de Lit | | |
|--------------------------------------|-----------------------------|-----|
| N° | Descriptions | Qté |
| 1 | Vis JCBC M6 X 30mm | 6 |
| 2 | Rondelle à Ressort Ø1/4" | 6 |
| 3 | Rondelle Plate Ø1/4" x 13mm | 6 |
| 4 | Clé «L» M4 | 1 |
| 5 | Clé «L» M5 | 1 |
| 6 | Vis CSK M4 x 32mm | 8 |



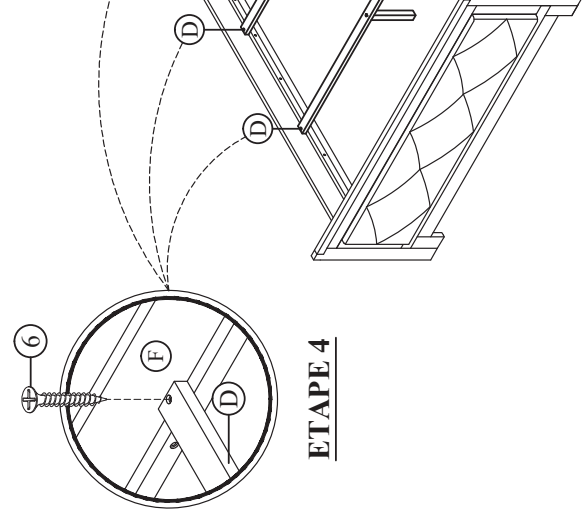
ETAPE 1



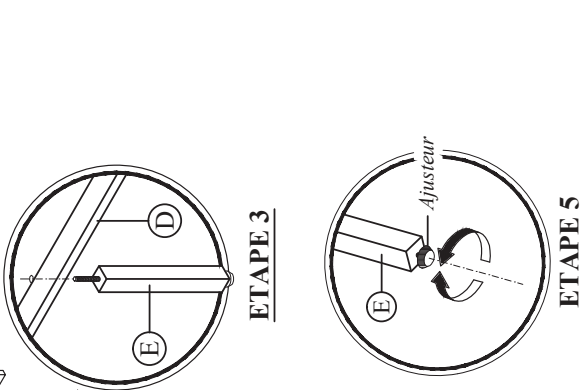
ETAPE 2



ETAPE 3



ETAPE 4



ETAPE 5



REMARQUE : RESERRER LES VIS RÉGULIÈREMENT. À L'USAGE, LES VIS SE DESERRENT.
VÉRIFIER QUE LES VIS SOIENT SERRÉES TOUTES LES 6-8 SEMAINES.

ASSEMBLY INSTRUCTIONS

DESCRIPTION : KING HEADBOARD & FOOTBOARD (4 SLATS, 8 SUPPORTS) / SIDERAIL.

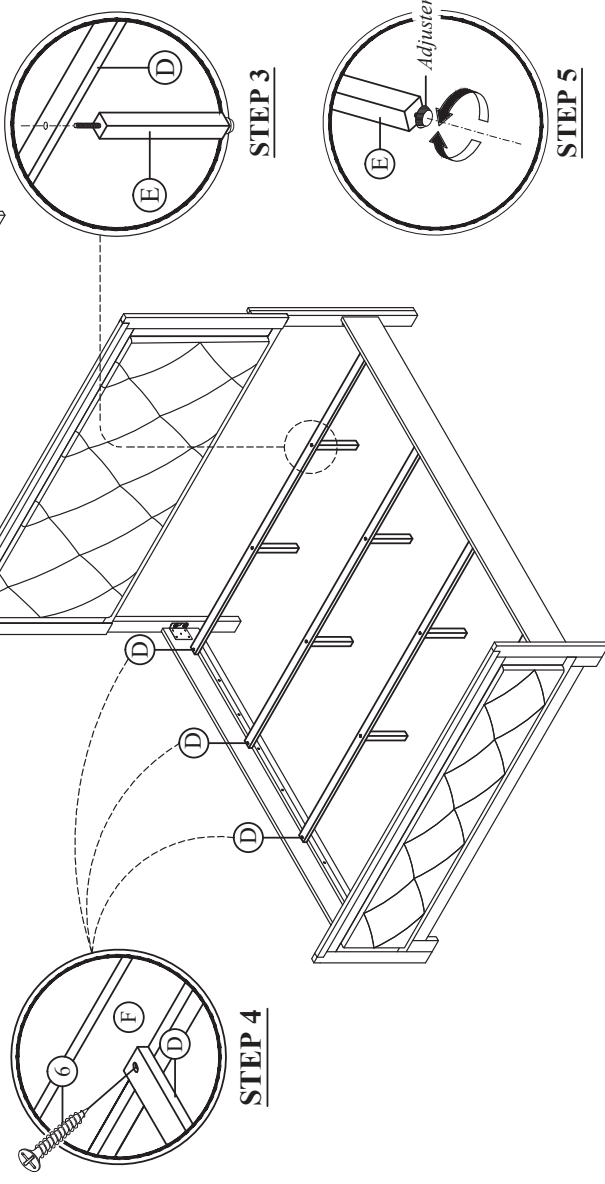
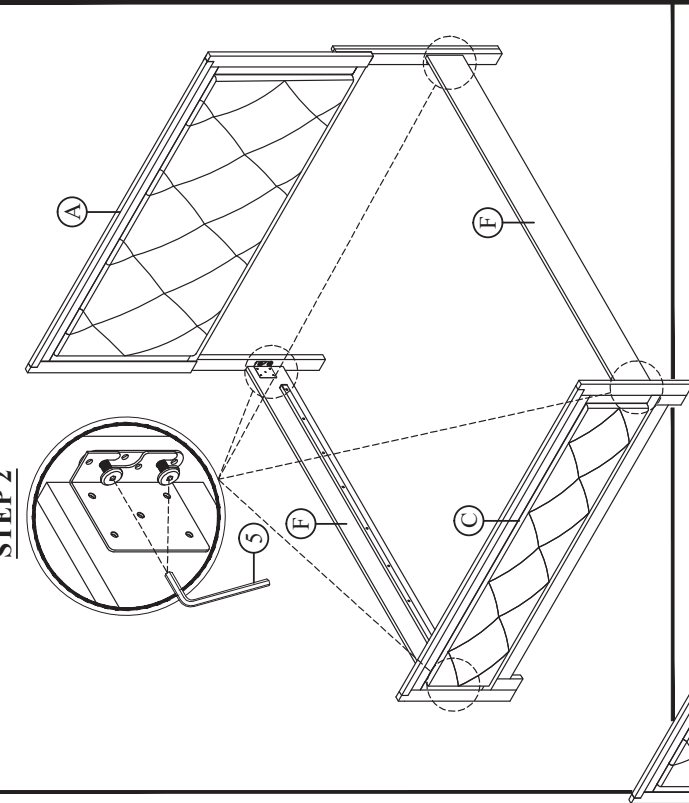
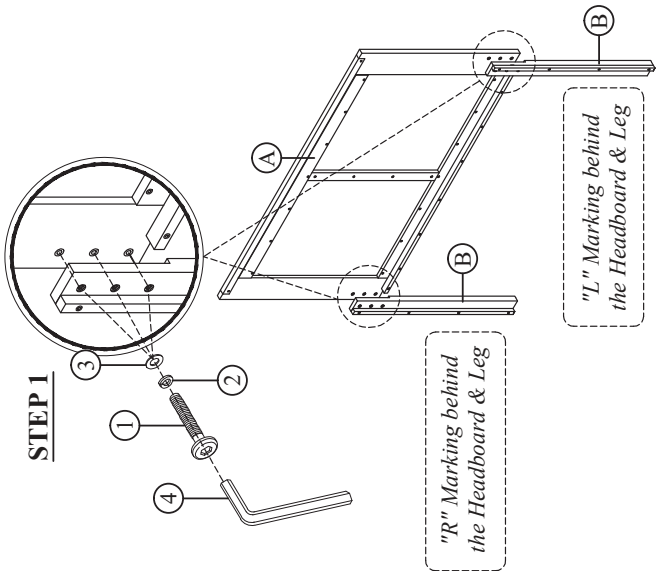
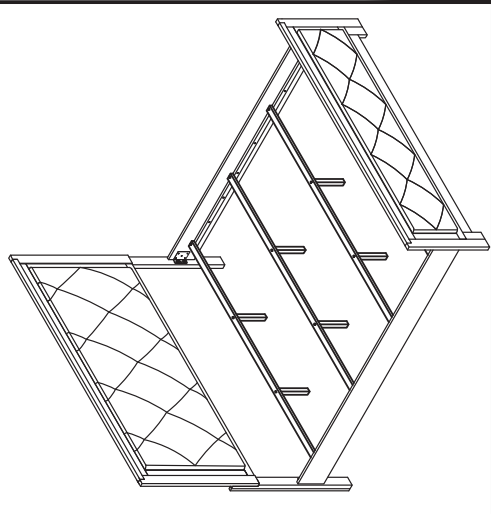
MODEL : C1071A-G49 / C1071A-BXN
C1071L-G49 / C1071L-BXN

REVISION : A

| Component List | | |
|--------------------------------------|-----------------|-----|
| No | Descriptions | Qty |
| Headboard & Headboard Leg | | |
| A | Headboard Panel | 1 |
| B | Leg (L/R) | 2 |
| C | Footboard Panel | 1 |
| D | Slat | 4 |
| E | Slat Support | 8 |

| Side Rail | | |
|-----------|--------------|-----|
| No | Descriptions | Qty |
| F | Side Rail | 2 |

| Hardware List In Headboard & Footboard | | |
|--|--------------------------|-----|
| No | Descriptions | Qty |
| 1 | JCBC Screw M6 x 30mm | 6 |
| 2 | Spring Washer Ø1/4" | 6 |
| 3 | Flat Washer Ø1/4" x 13mm | 6 |
| 4 | L Key M4 | 1 |
| 5 | L Key M5 | 1 |
| 6 | CSK M4 x 32mm | 8 |



NOTE : MUST TIGHTEN SCREWS PERIODICALLY WITH USE SCREW WILL BECOME LOOSE. CHECK TIGHTNESS OF ALL SCREW EVERY 6-8 WEEKS.

INSTRUCTIONS D'ASSEMBLAGE

DESCRIPTION : TÊTE & PIED DE TRÈS GRAND LIT (4 LATTES, 8 SUPPORTS) / LONGERON.

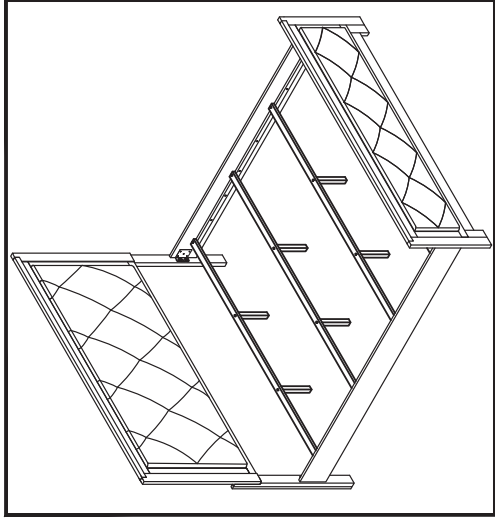
MODELE : C1071A-G49 / C1071A-BXN
C1071L-G49 / C1071L-BXN

REVISION : A

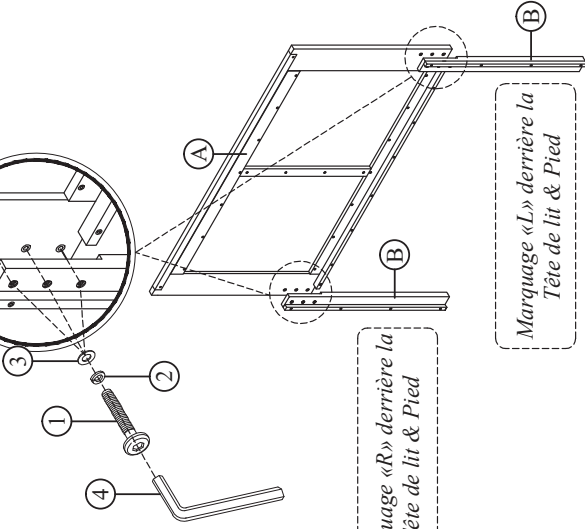
| Composants | | |
|--------------------|------------------|-----|
| Tête & Pied de Lit | | |
| N° | Descriptions | Qté |
| A | Tête de Lit | 1 |
| B | Pied (R/L) | 2 |
| C | Pied de Lit | 1 |
| D | Latte | 4 |
| E | Soutien de Latte | 8 |

| Longeron | | |
|----------|--------------|-----|
| N° | Descriptions | Qté |
| F | Longeron | 2 |

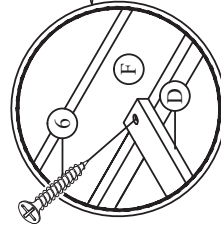
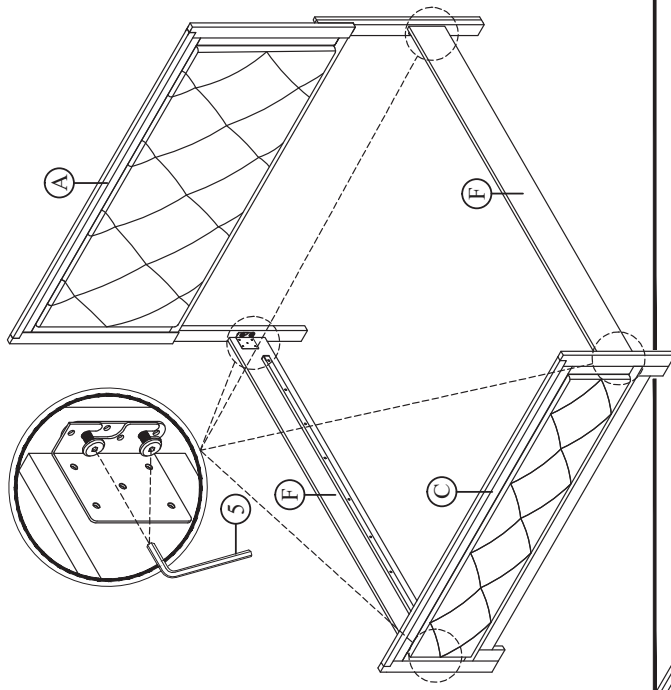
| Quincaillerie en Tête et Pied de Lit | | |
|--------------------------------------|-----------------------------|-----|
| N° | Descriptions | Qté |
| 1 | Vis JCBC M6 X 30mm | 6 |
| 2 | Rondelle à Ressort Ø1/4" | 6 |
| 3 | Rondelle Plate Ø1/4" x 13mm | 6 |
| 4 | Clé «L» M4 | 1 |
| 5 | Clé «L» M5 | 1 |
| 6 | Vis CSK M4 x 32mm | 8 |



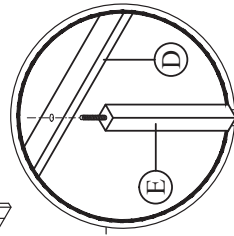
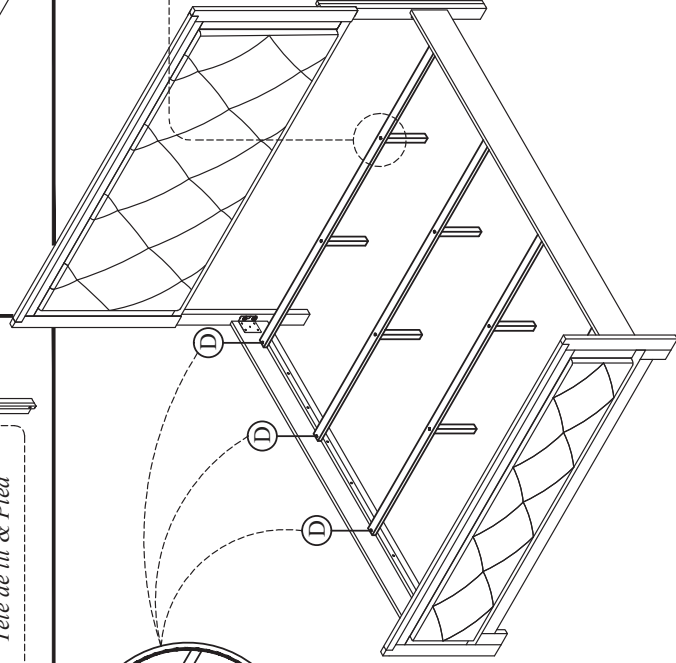
ETAPE 1



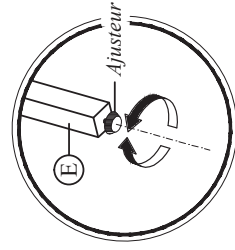
ETAPE 2



ETAPE 4



ETAPE 3



ETAPE 5

REMARQUE : RESERRER LES VIS RÉGULIÈREMENT. À L'USAGE, LES VIS SE DESERRENT. VÉRIFIER QUE LES VIS SOIENT SERRÉS TOUTES LES 6-8 SEMAINES.





MODEL : C1071A-040 / C1071A-050
C1071L-040 / C1071L-050

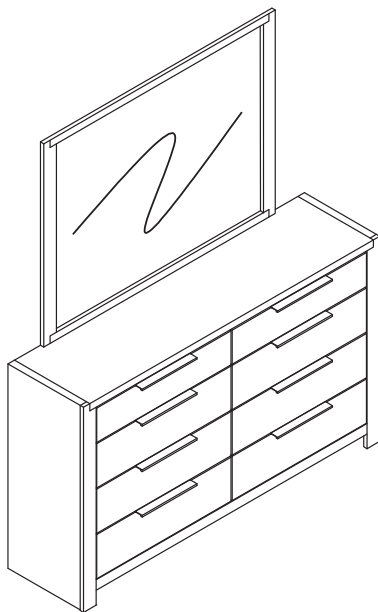
REVISION : A

Component List

| No | Description | Qty |
|----|-----------------|-----|
| A | Mirror | 1 |
| B | Dresser | 1 |
| C | Mirror Support | 2 |
| D | Dresser Support | 1 |

Hardware List

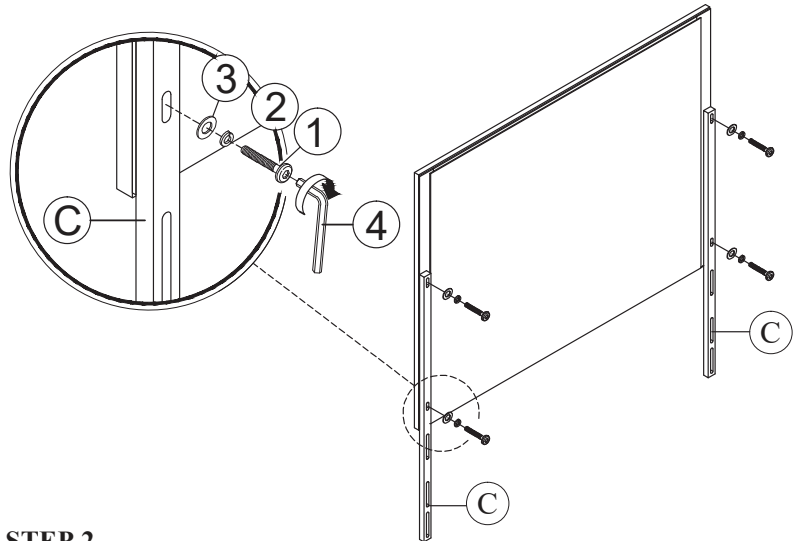
| No | Description | Qty |
|----|--|-----|
| 1 | JCBC M6 x 35mm  | 8 |
| 2 | Spring Washer Ø1/4"  | 8 |
| 3 | Flat Washer Ø1/4" x 20mm  | 8 |
| 4 | L Key M4  | 1 |



ASSEMBLY COMPLETED

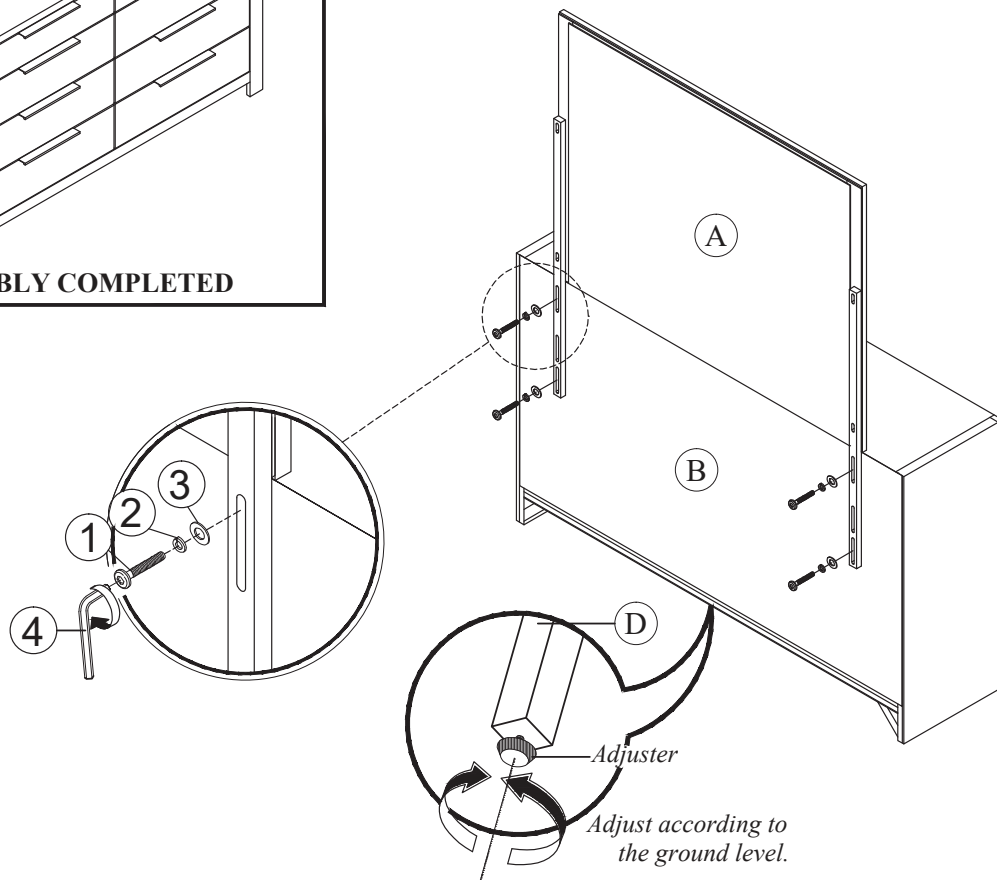
STEP 1

Attach Mirror Support (C) to the Mirror (A) back, then tighten with JCBC M6 x 35mm (1), Spring Washer Ø 1/4" (2), Flat Washer Ø 1/4" x 20mm (3) and fully tighten with L Key M4 (4).



STEP 2

Place the mirror with support on the top of dresser (B). Then align center as shown and tighten with JCBC screw (1), Spring Washer (2), Flat Washer (3). Tighten using L Key M4 (4).



NOTE : MUST TIGHTEN SCREWS PERIODICALLY WITH USE SCREW WILL BECOME LOOSE. CHECK TIGHTNESS OF ALL SCREW EVERY 6-8 WEEKS.

**MODELE : C1071A-040 / C1071A-050
C1071L-040 / C1071L-050**

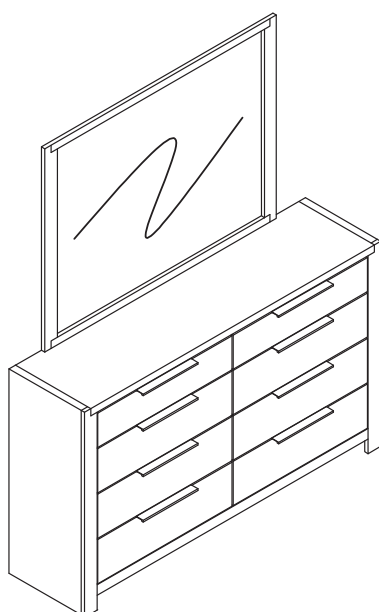
REVISION : A

Composants

| Num. | Descriptions | Qté |
|------|--------------------|-----|
| A | Miroir | 1 |
| B | Commode | 1 |
| C | Support de Miroir | 2 |
| D | Support de Commode | 1 |

Quincaillerie

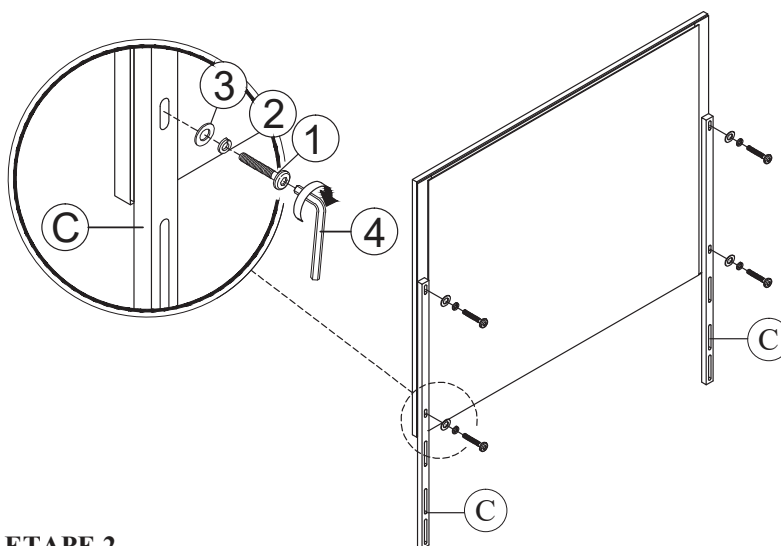
| Num. | Description | Qté |
|------|-----------------------------|-----|
| 1 | Vis JCBC M6 x 35mm | 8 |
| 2 | Rondelle à Ressort Ø1/4" | 8 |
| 3 | Rondelle Plate Ø1/4" x 20mm | 8 |
| 4 | Clé «L» M4 | 1 |



MONTAGE TERMINE

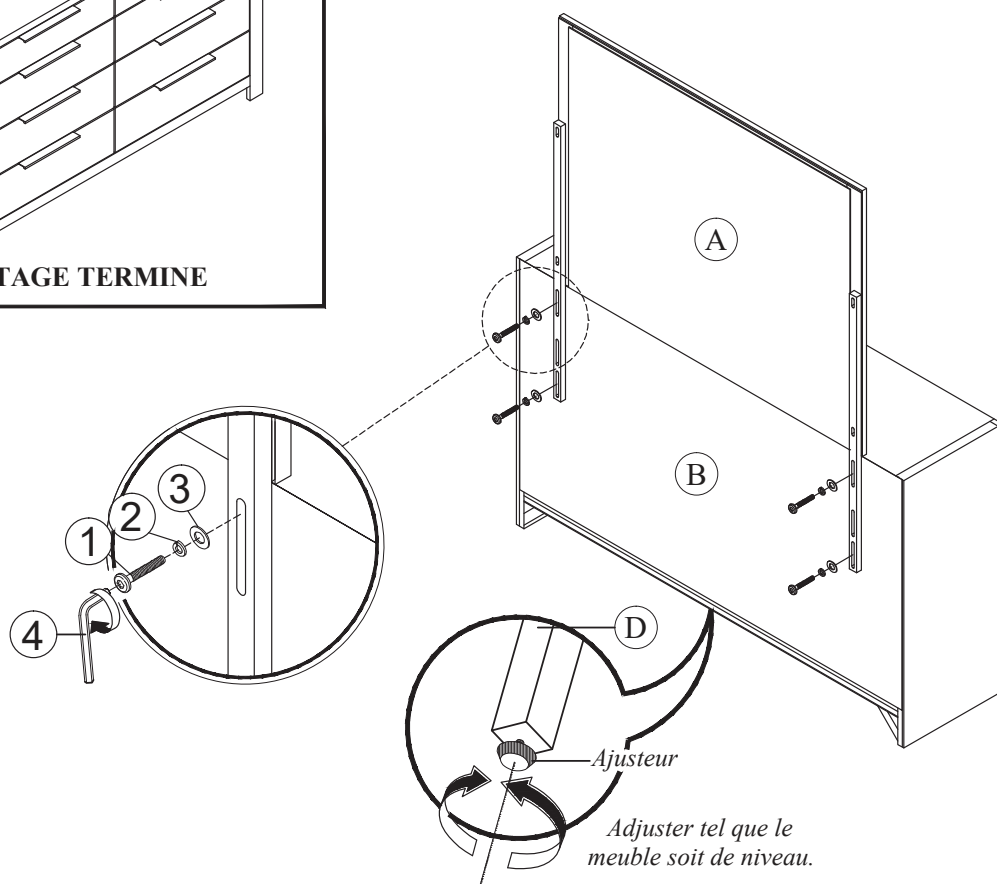
ETAPE 1

Attacher renfort miroir (C) à l'arrière de miroir (A), serrer le vis (1), rondelle à ressort (2) et rondelle plate (3) et serrer complètement avec Clé «L» (4).



ETAPE 2

Placer le miroir avec les support au dessus de la commode (B). Utilisant la vis (1), la rondelle (2) et la rondelle plate (3) et serrer complètement avec Clé «L» (4).



REMARQUE : RESERRER LES VIS RÉGULIÈREMENT. À L'USAGE, LES VIS SE DESERRENT. VÉRIFIER QUE LES VIS SOIENT SERRÉES TOUTES LES 6-8 SEMAINES.