















# ASSEMBLY INSTRUCTIONS

ITEM NO: C0400A-QP0/ C0400A-QPF/ C0400A-BPN  
 QUEEN PANEL HEADBOARD  
 QUEEN PANEL FOOTBOARD  
 QUEEN / KING PANEL SIDERAIL SET (2)






Caution: Please read instructions thoroughly before unpacking assembly parts. Sharp, exposed staple tips can cause injury, therefore, for your protection, please remove any exposed staple used in packing.

1. We recommend that you should assemble this product with the assistance of another person; this will make assembly easier, and will help to eliminate damage to the product or injury to persons during assembly.
2. Be sure to check all packing materials carefully for small parts that may have come loose inside the carton during shipment.
3. Please do not over tighten screws or bolts until the assembly is complete.
4. Please put all parts on a non-abrasive floor before assembly, and follow the assembly steps to assemble your newly purchased product correctly and efficiently.

PART LISTS			
NO.	Description	Sketch	Q'ty
A	HEADBOARD		1 PC
B	HEADBOARD LEG (L-R)		2 PCS
C	CROSS BAR		1 PC
D	FOOTBOARD		1 PC
E	SIDERAILS		2 PCS
F	SLATS		5 PCS
G	SUPPORT LEGS		10 PCS

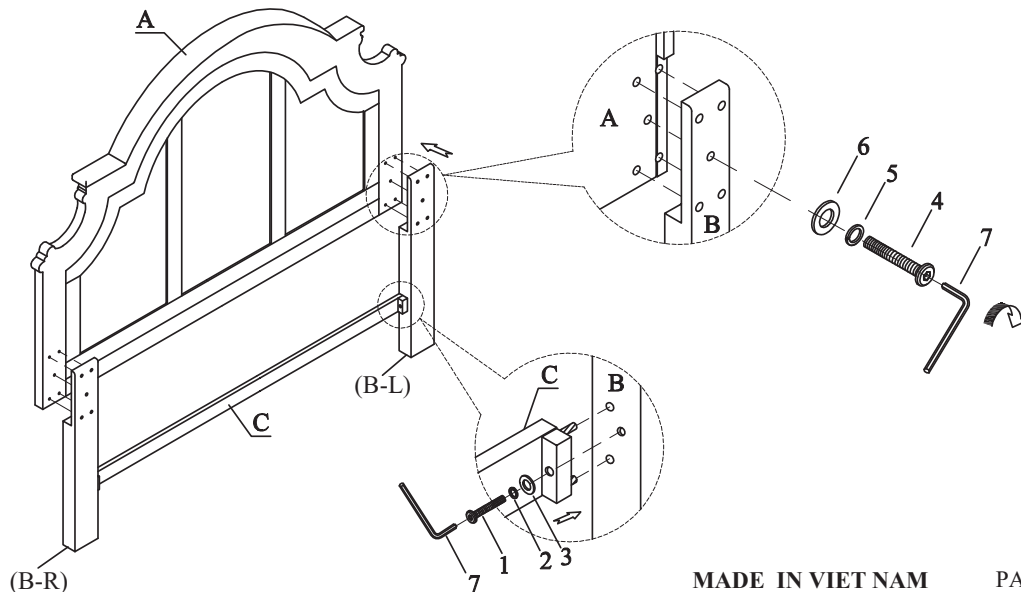
HARDWARE LISTS				
NO.	Description	Sketch	Size	Q'ty
1	BOLT		1/4"x38mm	2 PCS
2	SPRING WASHER		1/4"*12*2mm	2 PCS
3	FLAT WASHER		1/4"*19*2mm	2 PCS
4	BOLT		5/16"x45mm	10 PCS
5	SPRING WASHER		5/16"*12*2mm	10 PCS
6	FLAT WASHER		5/16"*19*2mm	10 PCS
7	ALLEN KEY		M4*58mm	1 PC

\*ABOVE HARDWARE ARE PACKED IN HEADBOARD FOR ASSEMBLY

8	BOLT		φ5/16"*90mm	8 PCS
9	U WASHER		26x12x8mm	8 PCS
10	NUT		φ5/16"*6mm	8 PCS
11	WRENCH		90*25*2mm	1 PC
12	SCREW		M4x25mm	10 PCS

\*ABOVE HARDWARE ARE PACKED IN SIDERAILS FOR ASSEMBLY

## STEP 1



# ASSEMBLY INSTRUCTIONS

ITEM NO: C0400A-QP0/ C0400A-QPF/ C0400A-BPN

QUEEN PANEL HEADBOARD

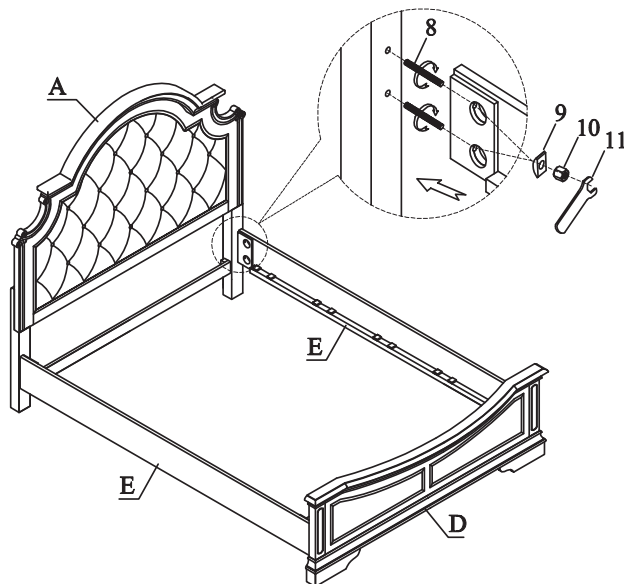
QUEEN PANEL FOOTBOARD

QUEEN / KING PANEL SIDERAIL SET (2)

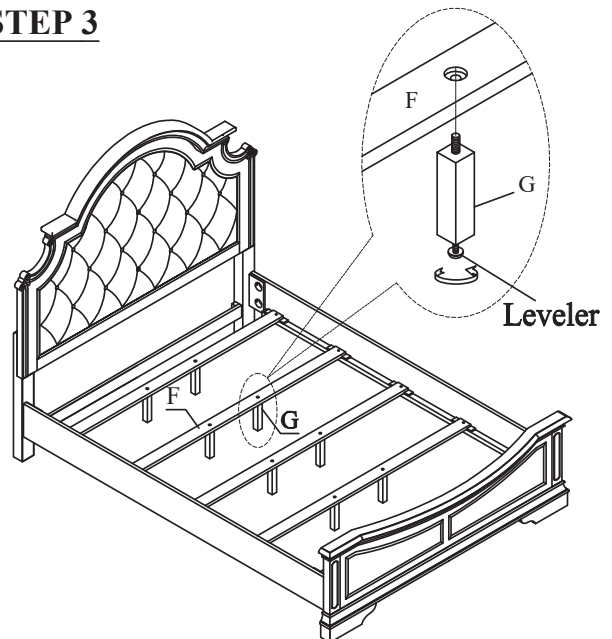
Caution: Please read instructions thoroughly before unpacking assembly parts. Sharp, exposed staple tips can cause injury, therefore, for your protection, please remove any exposed staple used in packing.

1. We recommend that you should assemble this product with the assistance of another person; this will make assembly easier, and will help to eliminate damage to the product or injury to persons during assembly.
2. Be sure to check all packing materials carefully for small parts that may have come loose inside the carton during shipment.
3. Please do not over tighten screws or bolts until the assembly is complete.
4. Please put all parts on a non-abrasive floor before assembly, and follow the assembly steps to assemble your newly purchased product correctly and efficiently.

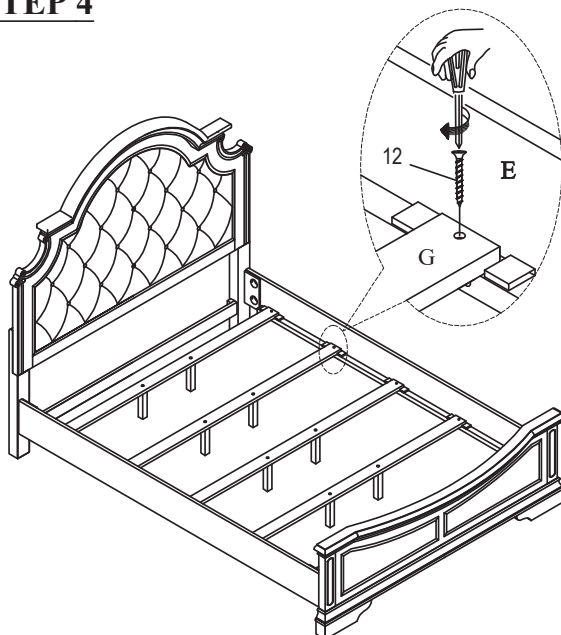
## STEP 2



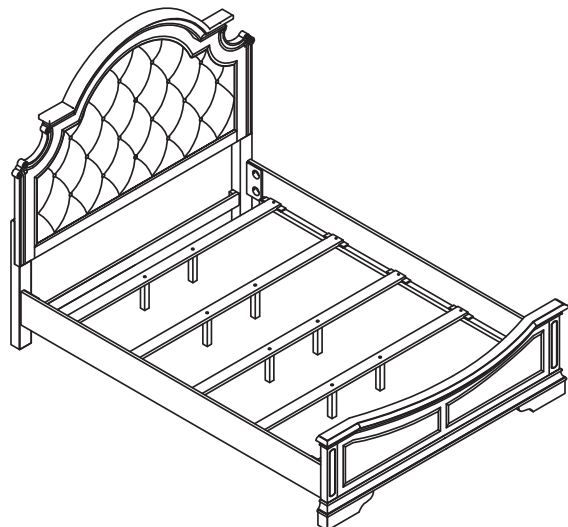
## STEP 3



## STEP 4



## COMPLETED

















# ASSEMBLY INSTRUCTIONS

ITEM NO: C0400A-KP0/ C0400A-KPF/ C0400A-BPN  
 KING PANEL HEADBOARD  
 KING PANEL FOOTBOARD  
 QUEEN / KING PANEL SIDERAIL SET (2)






Caution: Please read instructions thoroughly before unpacking assembly parts. Sharp, exposed staple tips can cause injury, therefore, for your protection, please remove any exposed staple used in packing.

1. We recommend that you should assemble this product with the assistance of another person; this will make assembly easier, and will help to eliminate damage to the product or injury to persons during assembly.
2. Be sure to check all packing materials carefully for small parts that may have come loose inside the carton during shipment.
3. Please do not over tighten screws or bolts until the assembly is complete.
4. Please put all parts on a non-abrasive floor before assembly, and follow the assembly steps to assemble your newly purchased product correctly and efficiently.

PART LISTS			
NO.	Description	Sketch	Q'ty
A	HEADBOARD		1 PC
B	HEADBOARD LEG (L-R)		2 PCS
C	CROSS BAR		1 PC
D	FOOTBOARD		1 PC
E	SIDERAILS		2 PCS
F	SLATS		5 PCS
G	SUPPORT LEGS		10 PCS

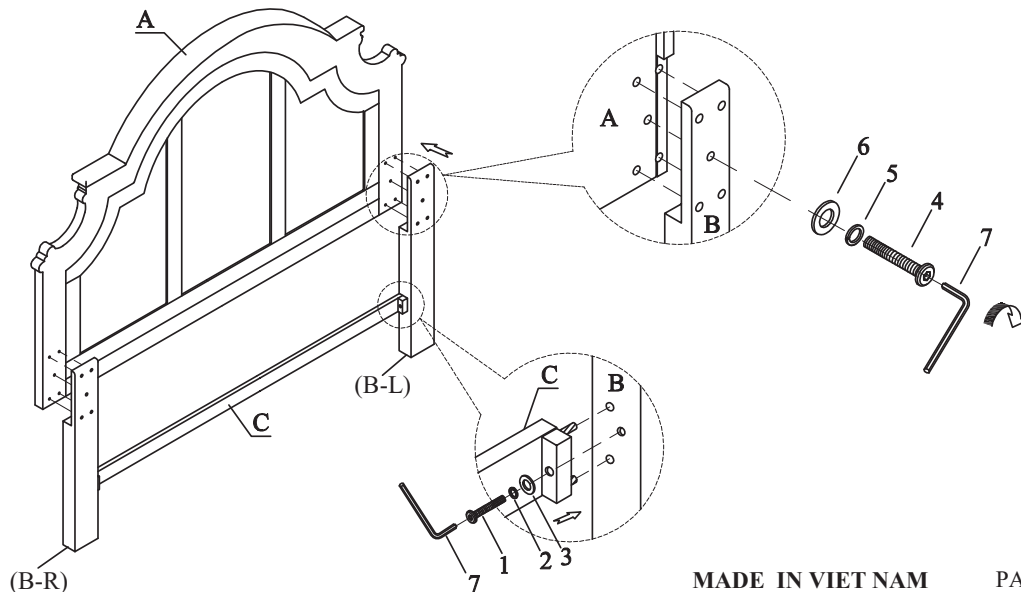
HARDWARE LISTS				
NO.	Description	Sketch	Size	Q'ty
1	BOLT		1/4"x38mm	2 PCS
2	SPRING WASHER		1/4"*12*2mm	2 PCS
3	FLAT WASHER		1/4"*19*2mm	2 PCS
4	BOLT		5/16"x45mm	10 PCS
5	SPRING WASHER		5/16"*12*2mm	10 PCS
6	FLAT WASHER		5/16"*19*2mm	10 PCS
7	ALLEN KEY		M4*58mm	1 PC

\*ABOVE HARDWARE ARE PACKED IN HEADBOARD FOR ASSEMBLY

8	BOLT		φ5/16"*90mm	8 PCS
9	U WASHER		26x12x8mm	8 PCS
10	NUT		φ5/16"*6mm	8 PCS
11	WRENCH		90*25*2mm	1 PC
12	SCREW		M4x25mm	10 PCS

\*ABOVE HARDWARE ARE PACKED IN SIDERAILS FOR ASSEMBLY

## STEP 1



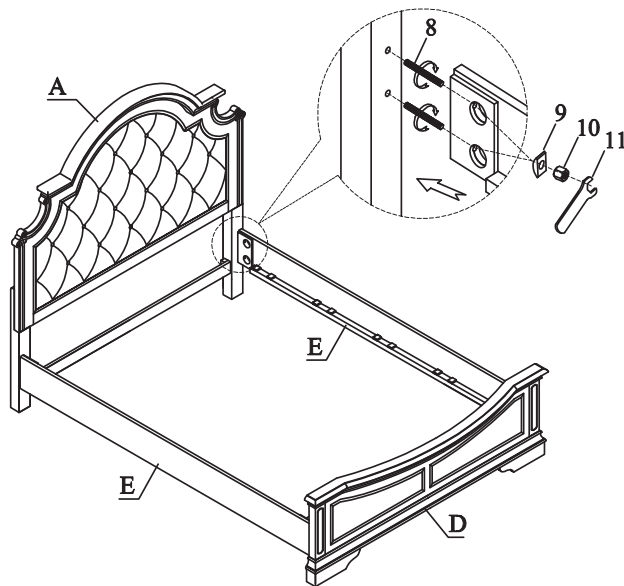
# ASSEMBLY INSTRUCTIONS

ITEM NO: C0400A-KP0/ C0400A-KPF/ C0400A-BPN  
KING PANEL HEADBOARD  
KING PANEL FOOTBOARD  
QUEEN / KING PANEL SIDERAIL SET (2)

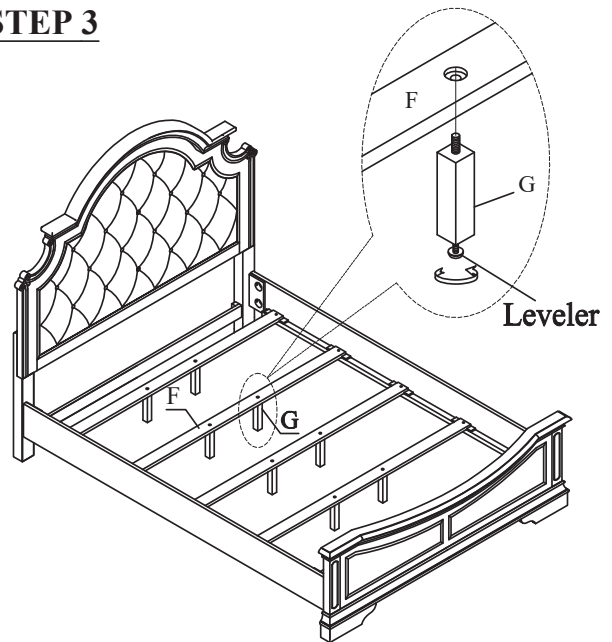
Caution: Please read instructions thoroughly before unpacking assembly parts. Sharp, exposed staple tips can cause injury, therefore, for your protection, please remove any exposed staple used in packing.

1. We recommend that you should assemble this product with the assistance of another person; this will make assembly easier, and will help to eliminate damage to the product or injury to persons during assembly.
2. Be sure to check all packing materials carefully for small parts that may have come loose inside the carton during shipment.
3. Please do not over tighten screws or bolts until the assembly is complete.
4. Please put all parts on a non-abrasive floor before assembly, and follow the assembly steps to assemble your newly purchased product correctly and efficiently.

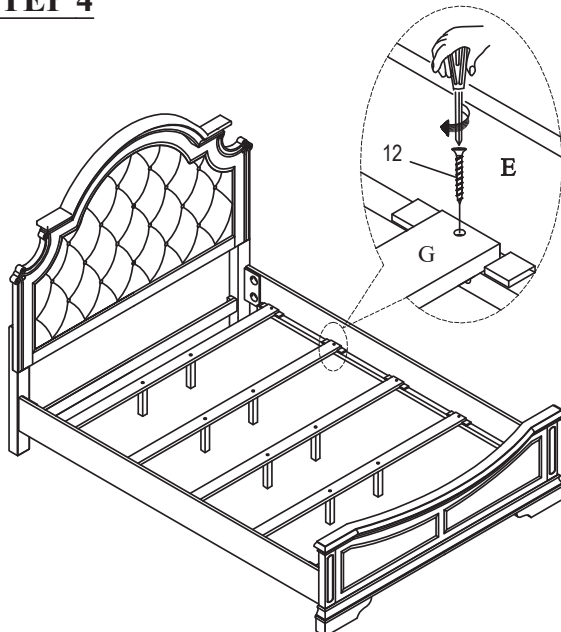
## STEP 2



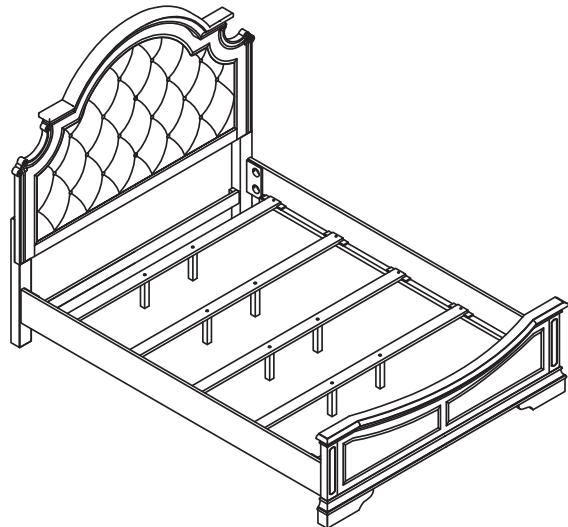
## STEP 3



## STEP 4



## COMPLETED





# ASSEMBLY INSTRUCTIONS

ITEM NO: C0400A-025  
NIGHTSTAND

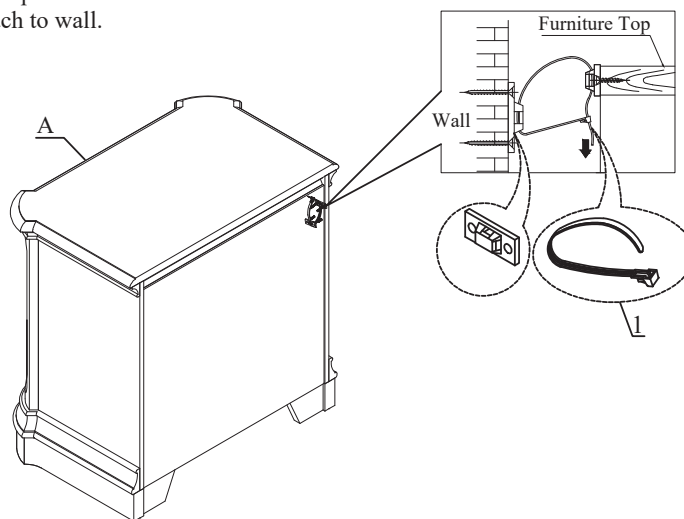
Caution: Please read instructions thoroughly before unpacking assembly parts. Sharp, exposed staple tips can cause injury, therefore, for your protection, please remove any exposed staple used in packing.

1. We recommend that you should assemble this product with the assistance of another person; this will make assembly easier, and will help to eliminate damage to the product or injury to persons during assembly.
2. Be sure to check all packing materials carefully for small parts that may have come loose inside the carton during shipment.
3. Please do not over tighten screws or bolts until the assembly is complete.
4. Please put all parts on a non-abrasive floor before assembly, and follow the assembly steps to assemble your newly purchased product correctly and efficiently.

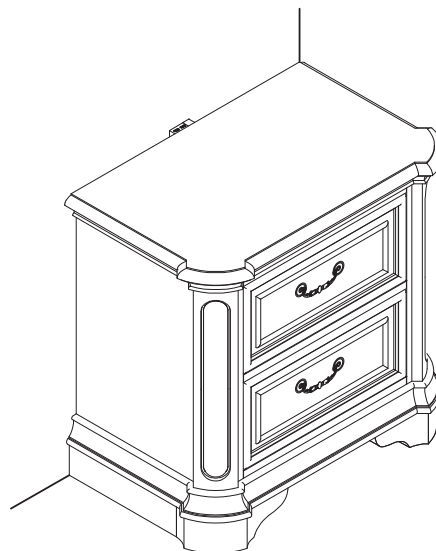
PART LISTS			
NO.	Description	Sketch	Q'ty
A	NIGHTSTAND		1 PC

HARDWARE LISTS				
NO.	Description	Sketch	Size	Q'ty
1	TIPPING RESTRAINT			1SET

**STEP 1** Move nightstand into final position and uses tipping restraint attach to wall.



**COMPLETED**




MADE IN VIET NAM


# ASSEMBLY INSTRUCTIONS

ITEM NO: C0400A-035  
CHEST

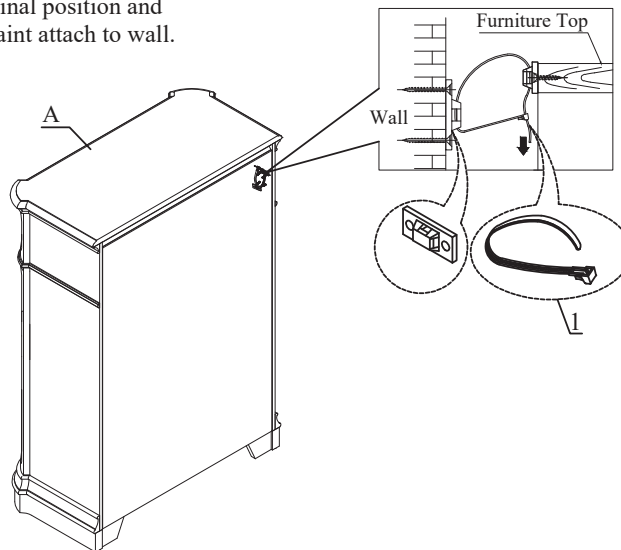
Caution: Please read instructions thoroughly before unpacking assembly parts. Sharp, exposed staple tips can cause injury, therefore, for your protection, please remove any exposed staple used in packing.

1. We recommend that you should assemble this product with the assistance of another person; this will make assembly easier, and will help to eliminate damage to the product or injury to persons during assembly.
2. Be sure to check all packing materials carefully for small parts that may have come loose inside the carton during shipment.
3. Please do not over tighten screws or bolts until the assembly is complete.
4. Please put all parts on a non-abrasive floor before assembly, and follow the assembly steps to assemble your newly purchased product correctly and efficiently.

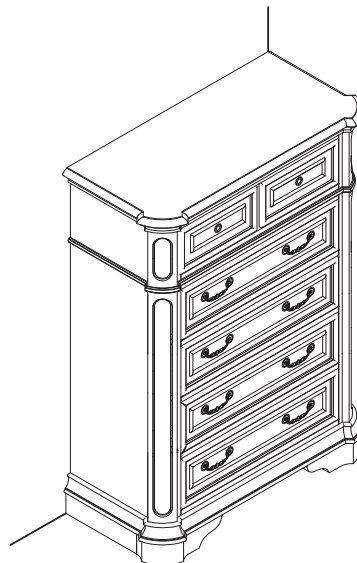
PART LISTS			
NO.	Description	Sketch	Q'ty
A	CHEST		1 PC

HARDWARE LISTS				
NO.	Description	Sketch	Size	Q'ty
1	TIPPING RESTRAINT			1SET

**STEP 1** Move chest into final position and use tipping restraint attach to wall.



**COMPLETED**






MADE IN VIET NAM







# ASSEMBLY INSTRUCTIONS

ITEM NO: C0400A-045 & C0400A-050  
DRESSER & MIRROR

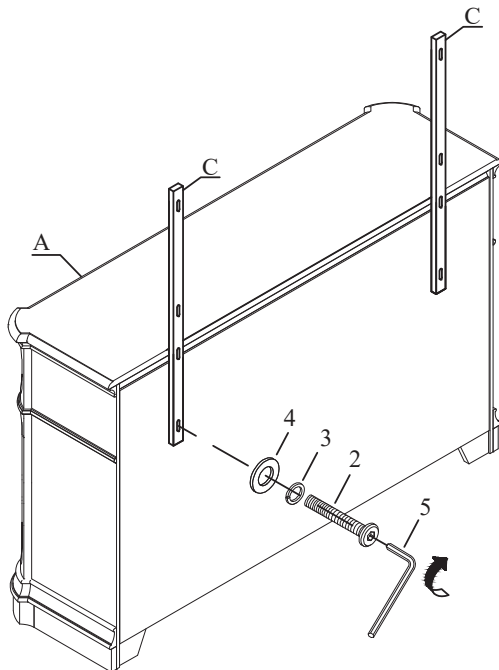
Caution: Please read instructions thoroughly before unpacking assembly parts. Sharp, exposed staple tips can cause injury, therefore, for your protection, please remove any exposed staple used in packing.

1. We recommend that you should assemble this product with the assistance of another person; this will make assembly easier, and will help to eliminate damage to the product or injury to persons during assembly.
2. Be sure to check all packing materials carefully for small parts that may have come loose inside the carton during shipment.
3. Please do not over tighten screws or bolts until the assembly is complete.
4. Please put all parts on a non-abrasive floor before assembly, and follow the assembly steps to assemble your newly purchased product correctly and efficiently.

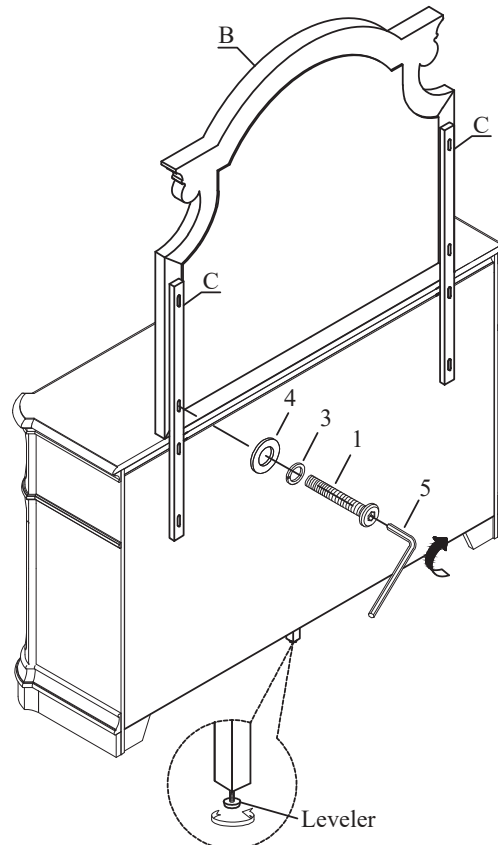
PART LISTS			
NO.	Description	Sketch	Q'ty
A	DRESSER		1 PC
B	MIRROR		1 PC
C	MIRROR SUPPORTS		2 PCS

HARDWARE LISTS				
NO.	Description	Sketch	Size	Q'ty
1	BOLT		1/4"*38 mm	4 PCS
2	BOLT		1/4"*45 mm	4 PCS
3	SPRING WASHER		1/4"*10*2mm	8 PCS
4	FLAT WASHER		1/4"*19*2 mm	8 PCS
5	ALLEN KEY		M4*58mm	1 PC
6	TIPPING RESTRAINT			1SET

## STEP 1



## STEP 2



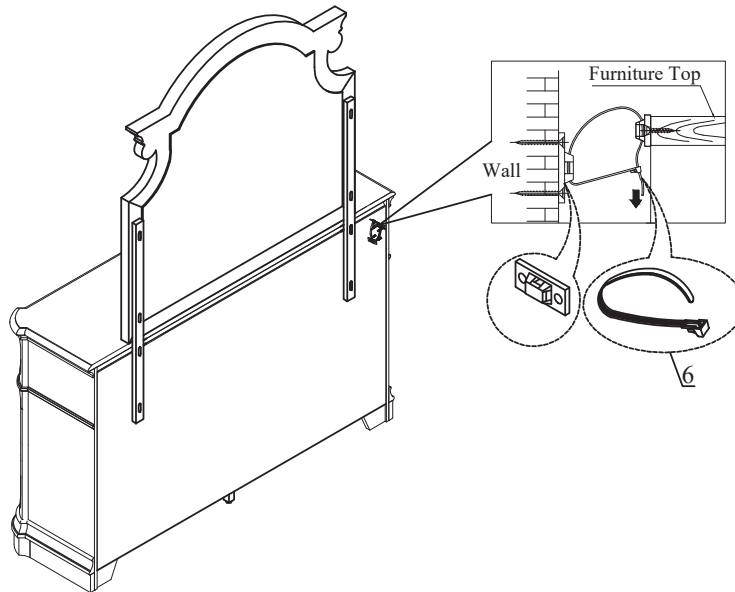
# ASSEMBLY INSTRUCTIONS

ITEM NO: C0400A-045 & C0400A-050  
DRESSER & MIRROR

Caution: Please read instructions thoroughly before unpacking assembly parts. Sharp, exposed staple tips can cause injury, therefore, for your protection, please remove any exposed staple used in packing.

1. We recommend that you should assemble this product with the assistance of another person; this will make assembly easier, and will help to eliminate damage to the product or injury to persons during assembly.
2. Be sure to check all packing materials carefully for small parts that may have come loose inside the carton during shipment.
3. Please do not over tighten screws or bolts until the assembly is complete.
4. Please put all parts on a non-abrasive floor before assembly, and follow the assembly steps to assemble your newly purchased product correctly and efficiently.

**STEP 3** Move dresser into final position and uses tipping restraint attach to wall.



**COMPLETED**

