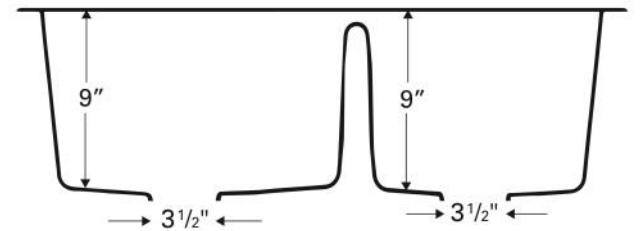
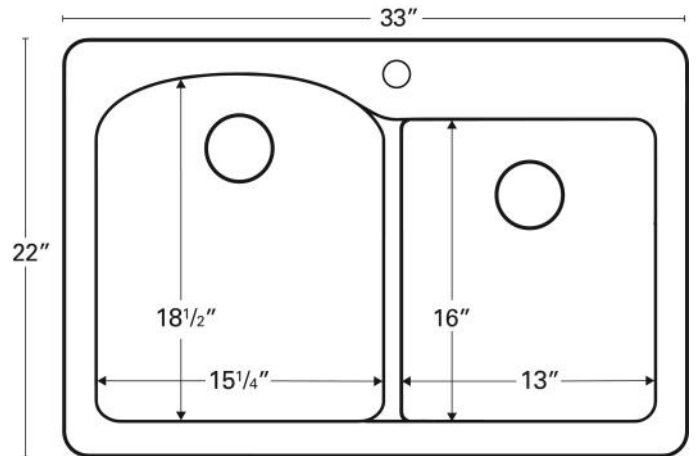


Karran quartz sinks are manufactured from durable quartz composite material that makes them incredibly tough and resilient to even the toughest daily kitchen tasks. They contain 80% natural quartz crystals and 20% high performance acrylic resins. These materials provide high scratch, stain, chip and heat resistance. This easy-to-install top mount design is 33" x 22" in size and is available in a selection of 6 elegant color choices.

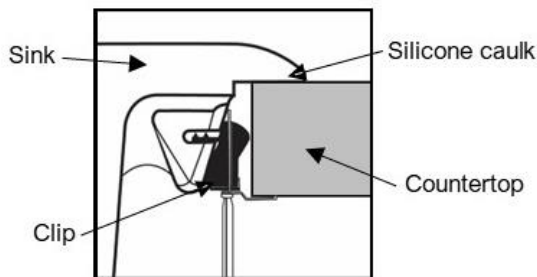


Sinks are listed with IAPMO and meet the requirements of the Uniform Plumbing Code, International Plumbing Code and the National Plumbing Code of Canada.

Series:	Quartz QT Series
Material:	80% quartz / 20% acrylic resin
Installation Type:	Top mount / Drop-in
Configuration:	Large/small bowl
Overall dimensions:	33" x 22"
Left bowl dimensions:	15-1/4" x 18-1/2" x 9"
Right bowl dimensions:	13" x 16" x 9"
Drain size:	3-1/2"
Min. cabinet size:	33"
Template included:	Yes
Clips included:	Yes
Finishes / Colors:	Bisque, Concrete, White, Black, Grey, Brown



INSTALLATION METHOD



PROJECT INFORMATION

PROJECT: _____
 CONTACT: _____
 DATE: _____
 NOTES: _____

APPROVAL:

OPTIONAL ACCESSORIES

MODELS	COLOR	STRAINER	FLANGE	GRIDS
• QT-610-WH	White	QBSWH	QDFWH	GR-6010, GR-6011
• QT-610-BI	Bisque	QBSBI	QDFBI	GR-6010, GR-6011
• QT-610-BL	Black	QBSBL	QDFBL	GR-6010, GR-6011
• QT-610-BR	Brown	QBSBR	QDFBR	GR-6010, GR-6011
• QT-610-CN	Concrete	QBSCN	QDFCN	GR-6010, GR-6011
• QT-610-GR	Grey	QBSGR	QDFGR	GR-6010, GR-6011

We reserve the right to update product specifications without notice. Please visit karran.com for the most current specification sheets. All dimensions are accurate to 1/4". REV 5-2022