

PLATUS SERIES

Fire Clay Undermount Bar/Prep Sink

- Model** PTB-2020 WH - White
 PTB-2020 BQ - Biscuit
 PTB-2020 BL – Matte Black
 PTB-2020 GR – Matte Gray
 PTB-2020 MWH – Matte White
 PTB-2020 MZ – Marble White and Gray

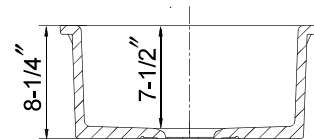
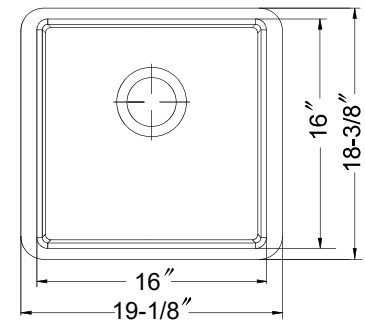


FEATURES

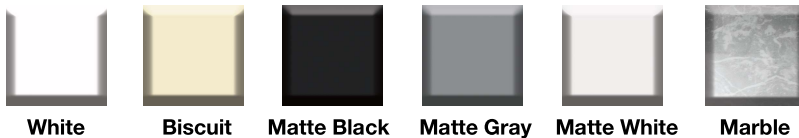
- Apron Front Installation
- Non-porous glossy surface
- 7" depth • 3-1/2" drain opening
- Chip, crack and scratch resistant • 6 distinctive colors
- Fits 24" minimum cabinet
- Supplied with fasteners and instructions
- No cut out template is supplied as each sink dimension will vary due to the nature of fireclay manufacturing process.
- Complies with ASME A112.19.2 and CSA B45.1-2013 standards
 Certified by ICC-ES PMG
- Lifetime Limited Warranty



PTB-2020



OPTIONAL COLORS



Color variations possible due to printing constraints.

OVERALL DIMENSIONS	EACH BOWL	PACKAGING*	WEIGHT*
19-1/8" x 18-3/8"	16" x 16"	1/12 pcs.	28/376lbs.

*Standard packaging: Single boxed /Pallet of single boxed.
 All dimensions are in inches. Specifications subject to change without notice.

OPTIONAL ACCESSORIES

- Bottom Grid: BG-8050
 Strainer: 190-9180

Project/Job name _____

Architect/Engineer _____

Contractor _____

Model _____ Q'ty _____

Notes _____