

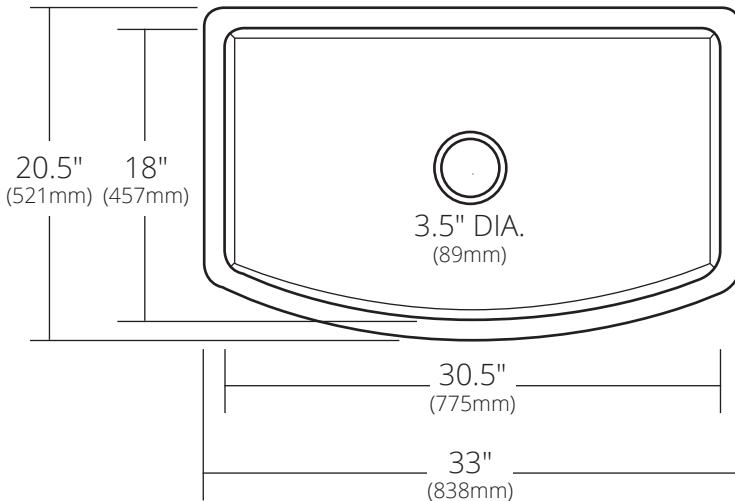
SPECIFICATIONS

**FARMHOUSE QUARTET**

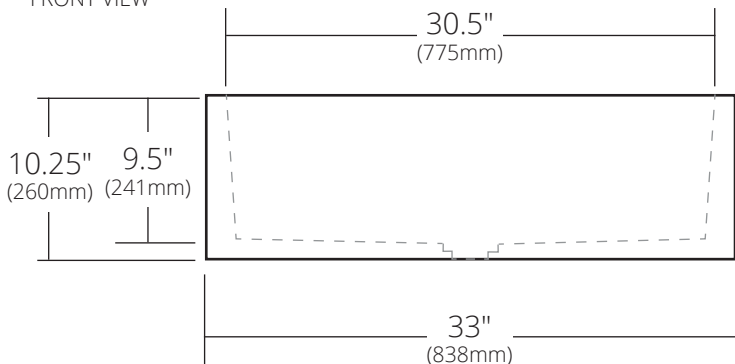
NativeStone® Collection



TOP VIEW



FRONT VIEW



- NSKQ3320-A Ash
- NSKQ3320-S Slate
- NSKQ3320-P Pearl
- NSKQ3320-E Earth

**PRODUCT DETAILS**

- 33" x 20.5" x 10.25" OD (838mm x 521mm x 260mm)
- 30.5" x 18" x 9.5" ID (775mm x 457mm x 241mm)
- 3.5" (89mm) drain opening
- Handcrafted from sustainable NativeStone®
- Sealed with impermeable nano sealer

**INSTALLATION**

- Undermount
- Apron-front or concealed apron

**COORDINATING PRODUCTS**

- Drains: DR320 or DR340
- Bottom Grid: GR2715
- NativeStone Sealer®

**STANDARDS COMPLIANCE**

- UPC/cUPC compliant

**IMPORTANT**

Do NOT use tape or other adhesives on NativeStone® as it may remove the sealer.

Due to the handcrafted nature of this product, it will vary in finish, texture, and other details. Dimensions may vary up to .25" (6mm).