

INSTALLATION PROCEDURES

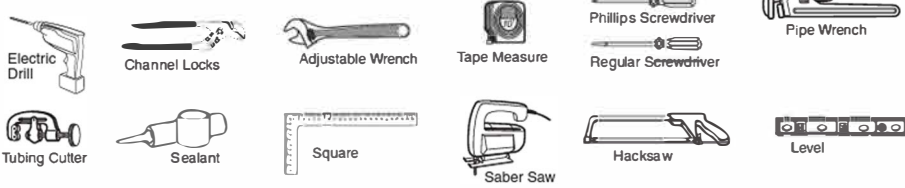
Typical installation includes cabinet support preparation, installation of faucet, connection of flexible water supply lines, attachment of sink to cabinet, sizing and installation of drain, supplies to house water system.

Sink Mounting Provisions - Whether the sink is used for replacement or new installation, the cabinet area beneath the sink must be reinforced to provide sufficient support. Cast Iron Sinks are very heavy and the structure built to support the sink must be able to support a minimum of 350 pounds. Also the cabinet and frame shown in the instructions are generic and may not represent the actual design or structure.

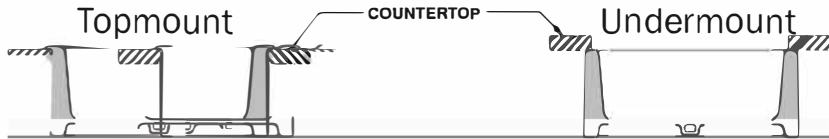
CABINET SUPPORT PREPARATION

Important Note: It is recommended that the installation be performed by a professional and shall be in accordance with all local plumbing and building code requirements.

Tools for installation

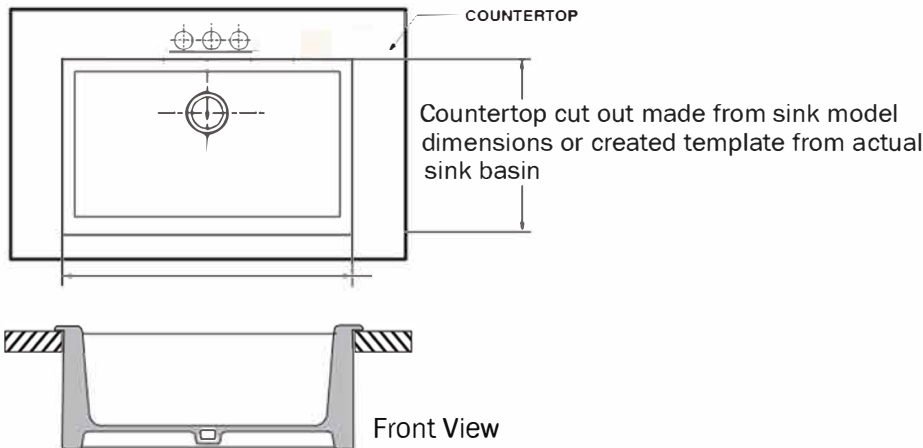


Installation Options



2. Countertop Cutout

Make sure there are no obstructions such as cabinets, plumbing, etc. below or above the counter top. Countertop mount cutout opening is determined from the actual sink size or provided template. Place template on countertop checking to make sure the sink will line up correctly with plumbing. Depending upon the material used for the counter top, drill a hole in the inside of template, then cut along template using a suitable saw for material being used. **Note: Check the countertop cutout opening by placing the sink in the opening to be sure it is sized correctly. The rim of the sink must be seated uniformly on the countertop and the bottom of the sink should be sitting on the support frame to ensure the corners of the sink seat properly.**

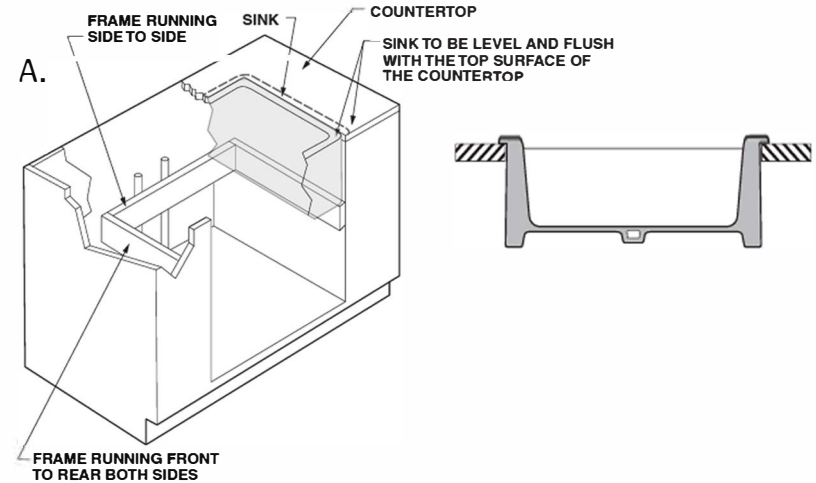


Topmount Sink Installation

1. Construct a support frame of 2x4"s in the base cabinet

The cradle or support should be designed to where the top rim of the sink sits flush with the height of the cabinet walls. No less than 3 inches from the back of the sink to the rear cabinet wall should be considered when positioning the sink in the cabinet. This is to provide adequate room for the faucet. **(A)**

See diagram (A) as an example



CAUTION: Sink is heavy. For personal safety, use extra person for assistance with installation.

Carefully set the sink within the support frame and position in center of cabinet opening. If Countertop mounted ensure that the sink bottom/underside rim surface is level and flush with the countertop top surface, (when countertop is installed)

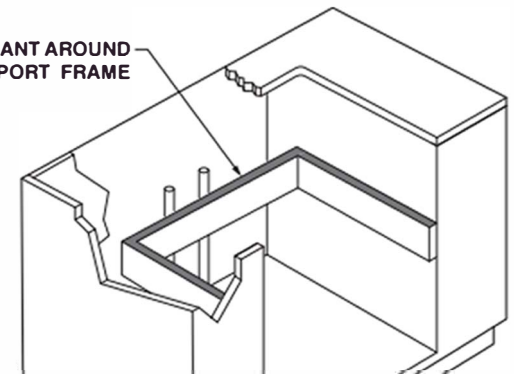
3. Apply Sealant - support frame and under the rim of sink

Carefully position and install the countertop over the cabinet ensuring sink opening in countertop correctly aligns over the Support Frame.

Note: Place sink back into countertop opening and check sink position over support frame and countertop.

Carefully remove sink from cabinet and apply a thin layer of sealant around the top edge of support frame, and around top edge of counter top opening. Place sink back into place. Wipe any sealant that may come out from around edge of sink.

PLACE A THIN LAYER OF SEALANT AROUND TOP EDGE OF SUPPORT FRAME



INSTALLATION PROCEDURES

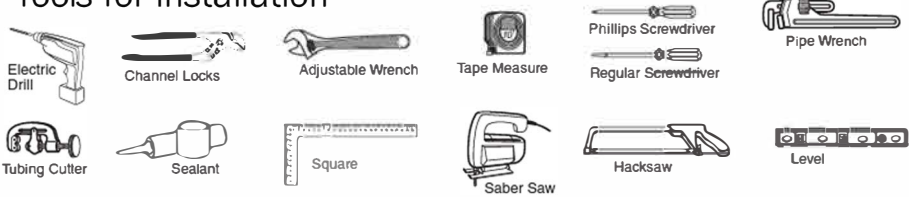
Typical installation includes cabinet support preparation, installation of faucet, connection of flexible water supply lines, attachment of sink to cabinet, sizing and installation of drain, supplies to house water system.

Sink Mounting Provisions – Whether the sink is used for replacement or new installation, the cabinet area beneath the sink must be reinforced to provide sufficient support. Cast Iron Sinks are very heavy and the structure built to support the sink must be able to support a minimum of 350 pounds. Also the cabinet and frame shown in the instructions are generic and may not represent the actual design or structure.

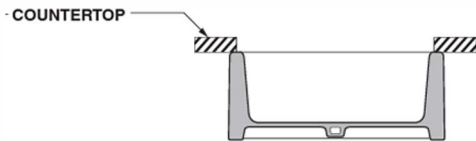
CABINET SUPPORT PREPARATION

Important Note: It is recommended that the installation be performed by a professional and shall be in accordance with all local plumbing and building code requirements.

Tools for installation



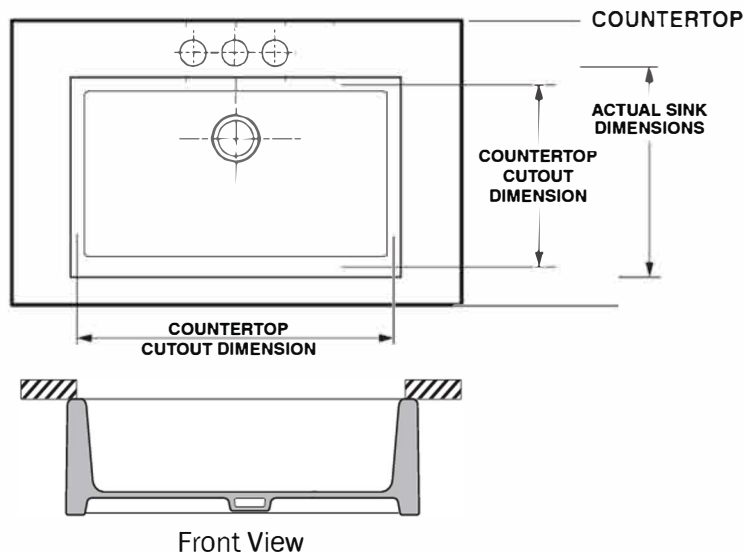
Undermount Installation Option



2. Countertop Cutout (see page 3 for workstation reveal undermount)

Use the actual sink to determine cut out size - you can let the counter overhang the sink or reveal the rim.. Under mount countertop opening is determined by the sink being used. Carefully cut out the countertop opening, opening must be adequately finished and sealed to prevent damage from water absorption.

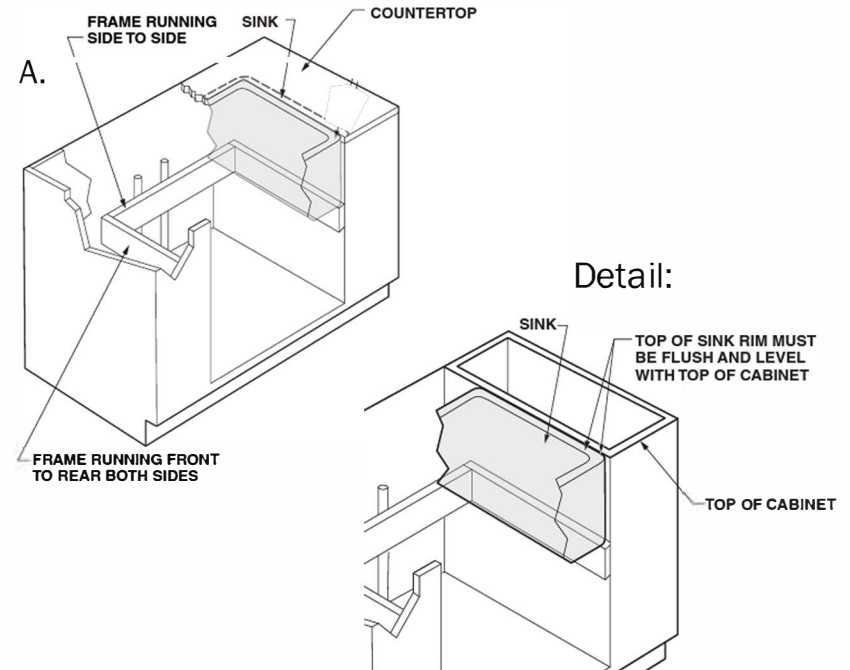
Note: Physically verify dimensions of the sink being installed to use as a reference



1. Construct a support frame (2x4"s) in the base cabinet

The cradle or support should be designed to where the top rim of the sink sits flush with the height of the cabinet walls. No less than 3 inches from the back of the sink to the rear cabinet wall should be considered when positioning the sink in the cabinet. This is to provide adequate room for the faucet. **(A)**

See diagram (A) as an example



3. Apply sealant - base frame & top rim of sink

For Under Mount Sinks: Carefully wipe clean the sink apron and top rim free from all debris. Ensure that the surface on underside of countertop cutout opening is smooth and free of debris. Under mount installation requires a generous bead of sealant around the sink top rim where sink and countertop underside will make contact.

