

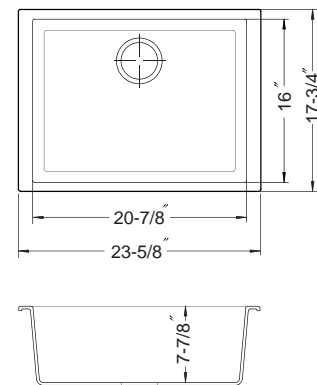
## Quartztone® Undermount Single Bowl Model G-100U



G-100U

### FEATURES

- 80% quartz and granite
- 7-7/8" depth • Pre-scored up to 5 faucet holes
- Intrinsically hygienic Non-porous surface
- Antibacterial protection with silver ion Microstop®
- Silky to the touch, 3 times harder than natural granite
- Food-safe, UV-stable-will not fade • Color-fast throughout
- Heat resistance to +500°F
- Highest resistance to thermal shock, scratches and chips
- Ariapure® features odor and pollutant disinfection
- Fits 30" sink base
- Supplied with cutout template, fasteners and instructions
- 1 year Limited Warranty



### OPTIONAL COLORS



Midnite  
Metallic

Mocha  
Solid

Taupe  
Structured

Sand  
Solid

Cloud  
Solid

OVERALL DIMENSIONS	EACH BOWL	CUTOUT SIZE	PACKAGING*	WEIGHT*
23-5/8" x 17-3/4"	20-7/8" x 16"	See Template	1/10 pcs.	35/390lbs.

\*Standard packaging: Single boxed /Pallet of single boxed.  
All dimensions are in inches. Specifications subject to change without notice.

### OPTIONAL ACCESSORIES

Bottom Grid: 629803  
Strainer Options: Stainless steel strainers,  
Color strainers, Color Disposal flanges

Project/Job name \_\_\_\_\_

Architect/Engineer \_\_\_\_\_

Contractor \_\_\_\_\_

Model \_\_\_\_\_ Q'ty \_\_\_\_\_

Notes \_\_\_\_\_