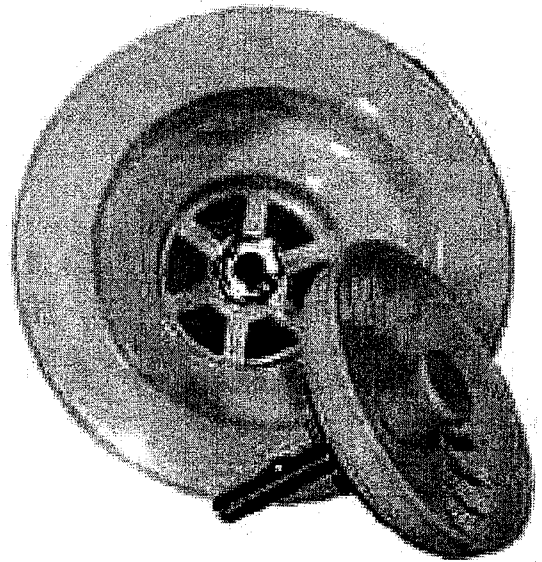
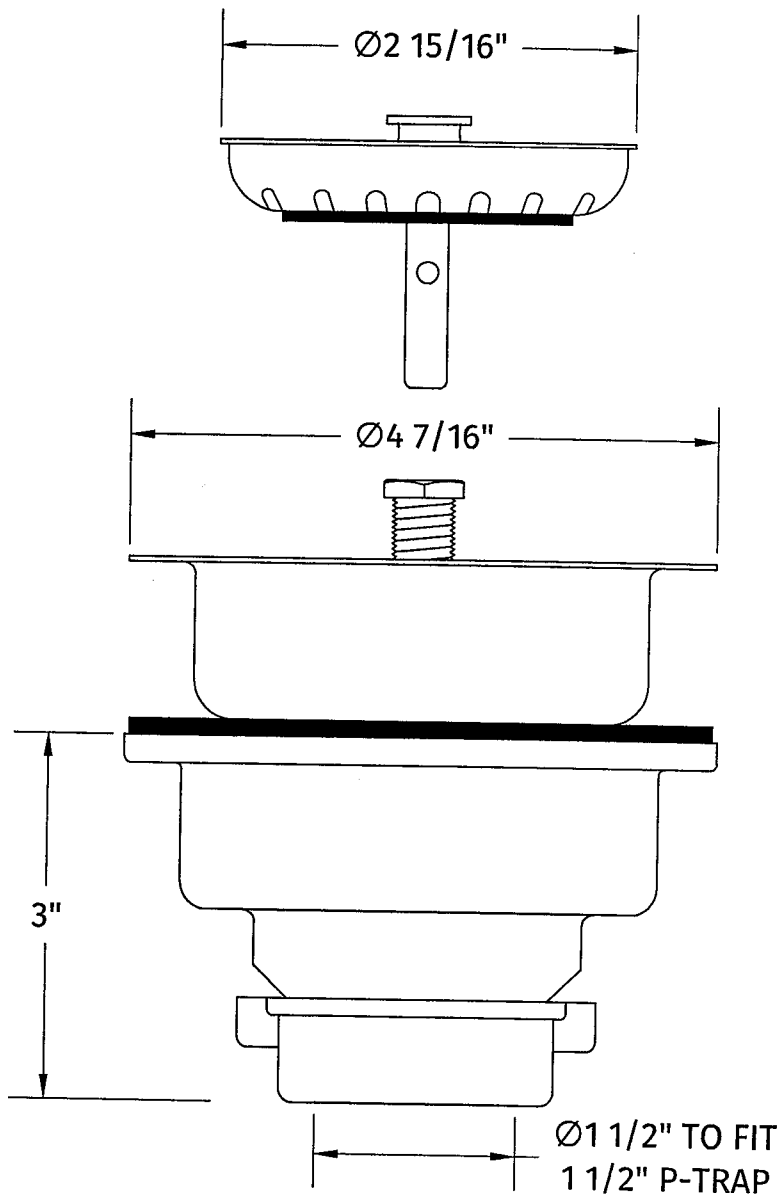


SPECIFICATION SHEET



- WILL FIT STANDARD $\text{Ø}3\ 1/2''$ DRAIN OPENING
- PLASTIC MOLDED FLANGE AND STRAINER
- POLYPROPYLENE STRAINER BODY WON'T CORRODE
- SPRING-LOADED STAINLESS STEEL POST ALLOWS FOR SMOOTH OPERATION
- FITS SINKS UP TO $7/8''$ THICK (FOR THICKER SINKS, ORDER BRBOLT/90 TO ALLOW UP TO $2\ 3/4''$ THICKNESS)