

BOCCHI®

INSTALLATION INSTRUCTIONS

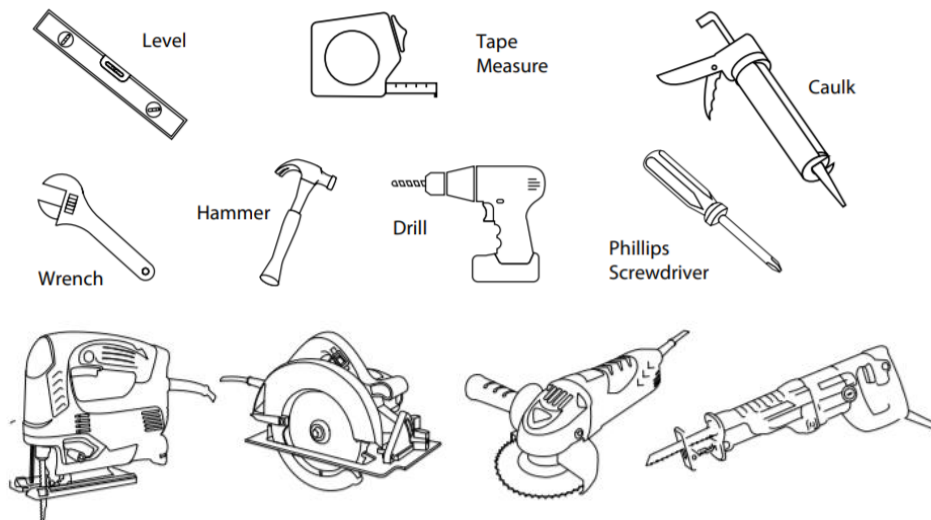
BATHROOM SINKS - UNDERMOUNT

Models:

1006-xxx-0125

1384-xxx-0125

Tools & Materials:



Before you begin:



Caution: Risk of personal injury or product damage. Handle with care. Product can break, chip, cause injury or product damage if handled carelessly. Get help lifting the sink.

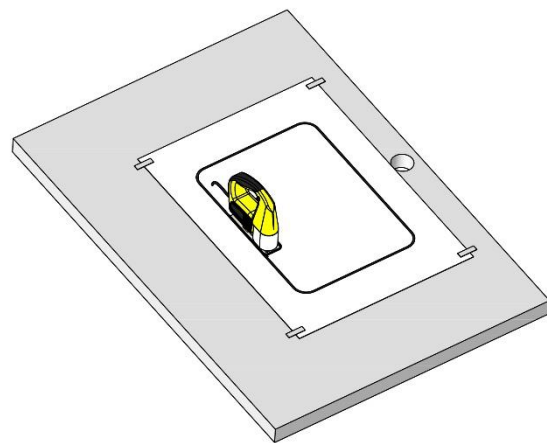
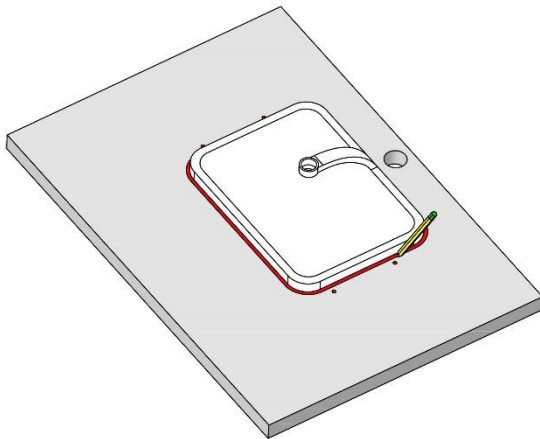
- Read these instructions carefully before you begin this installation.
- Observe all local plumbing and building codes.
- Shut off the hot and cold-water supplies.
- Inspect the drain and supply tubing. Replace if necessary.
- Prior to installation, unpack the new sink and inspect it for damage. Return the sink to its protective carton until you are ready to install it.
- Due to the variety of installations possible with this sink, you may need to use procedures other than those described.
- The cabinet and frame shown in these instructions are generic and may not represent the actual design or structure.
- Due to the nature of fireclay sink installations, BOCCHI recommends that sink installations be performed by trained and experienced installers.
- All information in these instructions is based on the latest product information available at the time of publication. BOCCHI reserves the right to make revisions in the design of products without notice, as specified in the Price Book.

Installation Undermount Bathroom Sink

- Unpack the sink and inspect for defects. If any questions call BOCCHI 877.565.2221 or email BOCCHI info@bocchiusa.com

Paper Template OR Sink Trace

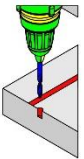
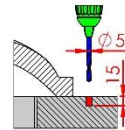
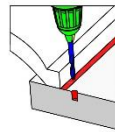
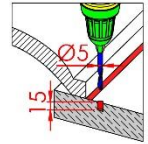
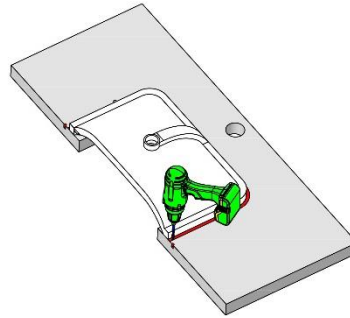
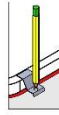
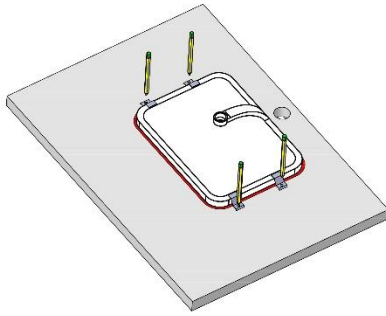
- Use Scissors to cut along the line on the paper template. The template can be found on www.bocchiusa.com NOTE: you can also place the sink itself in the desired position and use it to trace the outline for cutting the hole.
- Compare the template with the actual sink for correct installation.
- Place the template in the desired location on the countertop using painter's tape.
- Make sure suitable clearance for faucet, backsplash, and other plumbing for the sink.
- Cut the hole in the countertop using the traced line from the template and the adequate saw.



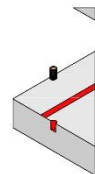
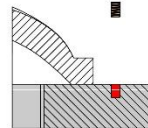
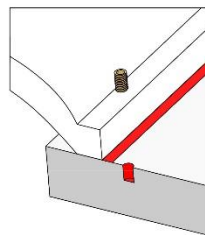
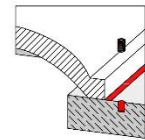
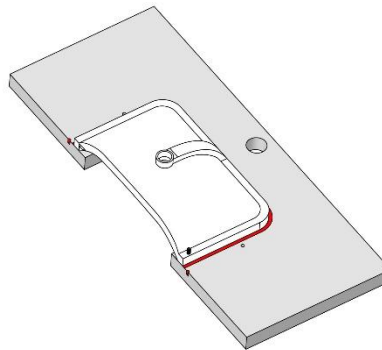
Install Anchors

- Turn the countertop over. Place it on foam or blanket for protection.
- Use the cutout template to mark the Anchor positions.
- Drill 3/8" holes, 1/2" (15mm) deep using a stop.
- Place Epoxy in the hole and insert the Brass Nut into the drilled hole. Tap the Brass Nut slightly with a hammer to ensure fully insert.
- Await Epoxy to cure.

Install Anchors (cont.)

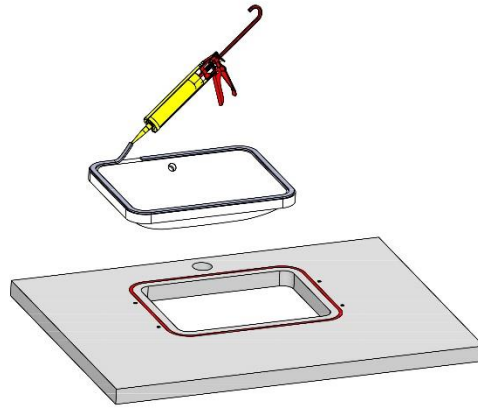


- If installing in wood countertop, use #10 wood screw for installation of the mounting bracket.

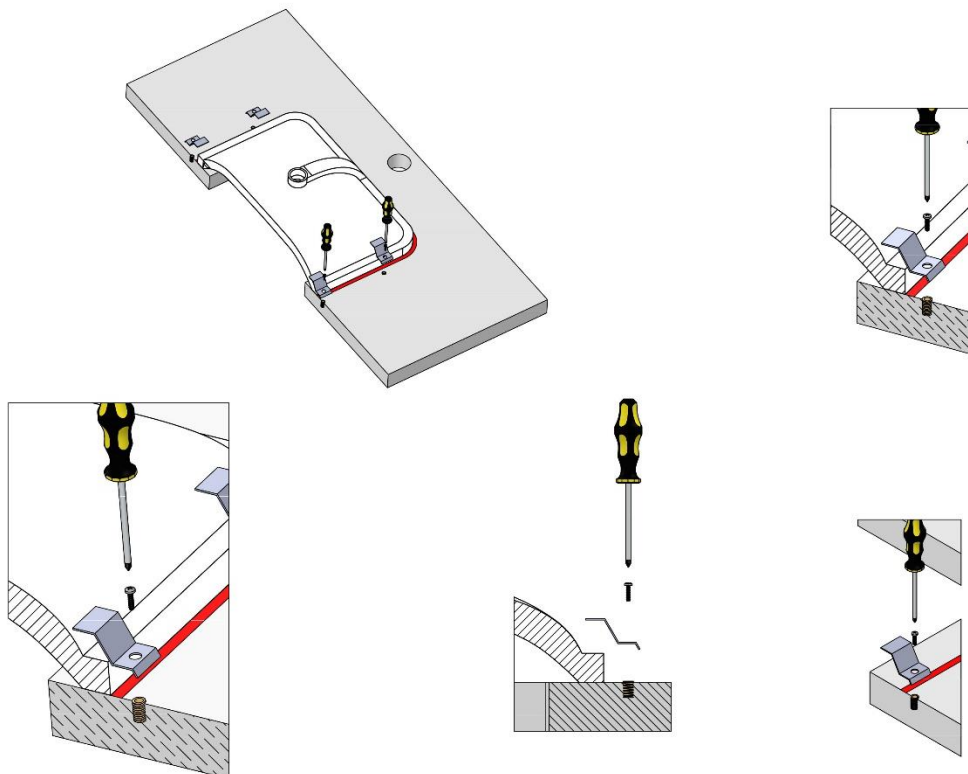


Installing the Sink

- Run caulk/silicone around the top of the sink.

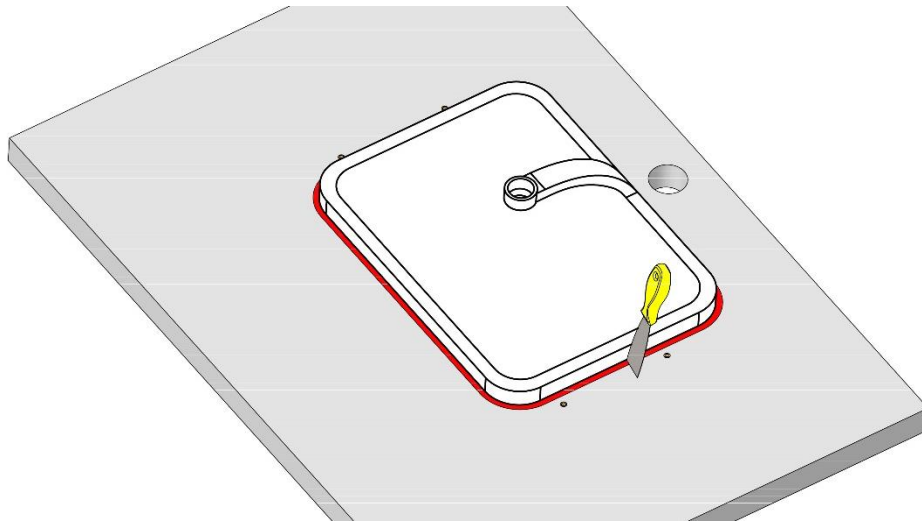


- Check the fit of the sink to the cutout hole.
- Place the sink over the cutout hole and press firmly.
- Attach the mounting brackets and secure the sink.



Installing the Sink (cont.)

- Allow the caulk/silicone to set for at least 60 min before use (or as advised by your silicone manufacture).
- Remove extra caulk/silicone from sink area.



Installing the Plumbing Fixtures

- Connect the drain and P-Trap to the sink.
- Connect water supply to the faucet according to the manufacturer's installation instruction.
- Run water into sink and check for leaks.

BOCCHI

6590 Shiloh Rd East, Suite D
Alpharetta GA 30005

T. 877-565-2221

E. info@bocchiusa.com