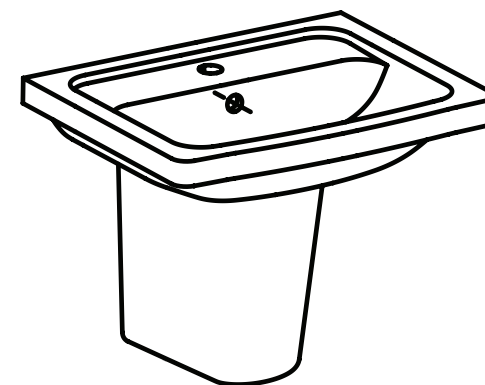


BOCCHI
IL BAGNO PER TUTTI

EN **INSTALLATION MANUAL** (Half leg installation similar to 1003)



EN **INSTALLATION MANUAL** (Half leg installation similar to 1003)

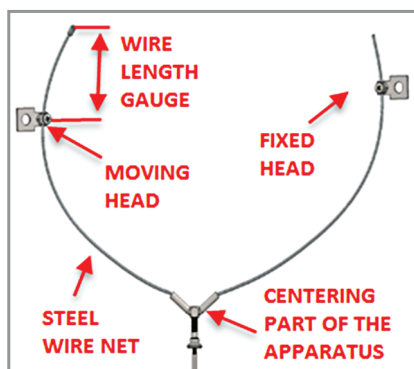


Figure-1:
The mounting apparatus given above is used for half-leg installation.

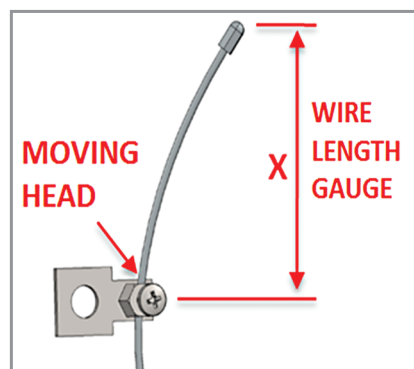


Figure-2:
The (X) dimension of the mounting apparatus is measured, adjusted to 125 mm and secured.

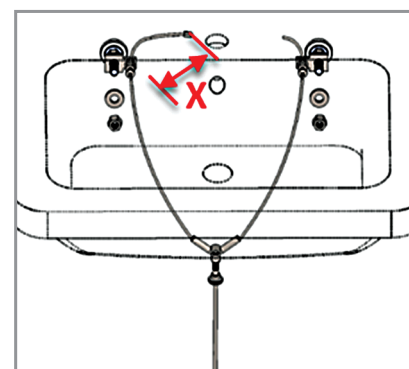


Figure-3:
The mounting apparatus of which the X dimension is adjusted is secured on the mounting bolts of the installed wash basin. The guide screw is centered.

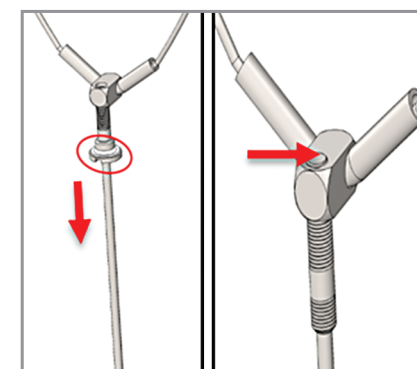


Figure-4:
The nut indicated by the arrow on the left is removed at the bottom end of the bolt and the upper end of the bolt is leveled with the section indicated by the arrow.

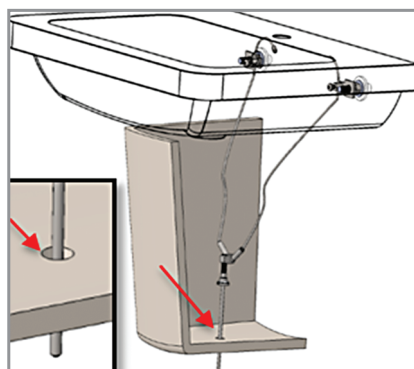


Figure-5:
The guide screw of the mounting apparatus is passed through the hole below the half leg.

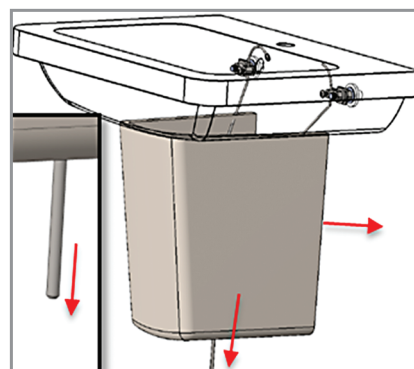


Figure-6:
The half leg is placed by centering on the lower section of the wash basin and by contacting the back surface with the wall; the guide screw is pulled down in the direction of arrow.

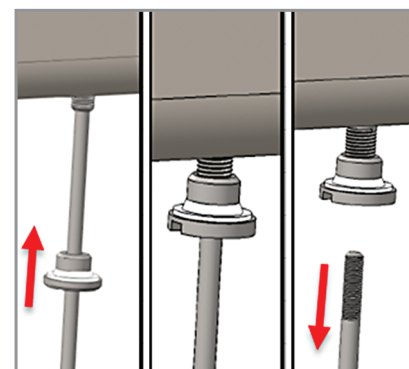


Figure-7:
The guide screw is removed after the custom formed nut is passed through the screw and attached to the bolt.

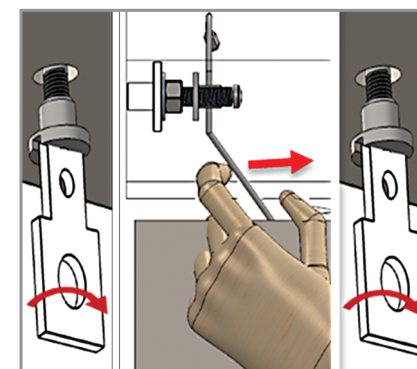


Figure-8:
The nut attached to the puller screw is tightened until the half leg contacts with the wash basin slot and the wall; the installation is completed by tightening completely after the wire net is shifted forward from both sides. The guide screw is put inside the half leg in order to be used again, when necessary.