

BOCCHI®

Installation Manual

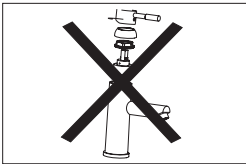


2012 0001, 2013 0001, 2014 0001

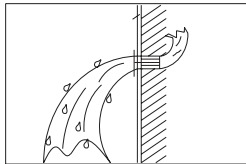
SPIRAL PULL-DOWN SPRAY KITCHEN FAUCET

1. Installation Attention

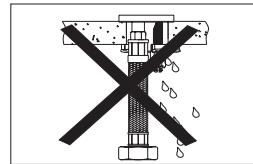
1. Open the product packing; check for all the accessories according to the accessories list. If you lack any accessories, please contact your local supplier.
2. The cartridge is the main body it has been tested and adjusted in the factory, do not remove it or take it apart.
3. Before installing your new mixer, flush through the supply pipes to ensure the removal of debris to avoid and prevent clogs.
4. After installing, check the supply pipes to avoid any leakage.
5. Inlet water pressure: $0.05\text{Mpa} < \text{inlet water pressure} < 0.75\text{Mpa}$ (including cold water pressure).



Do not take the faucet apart



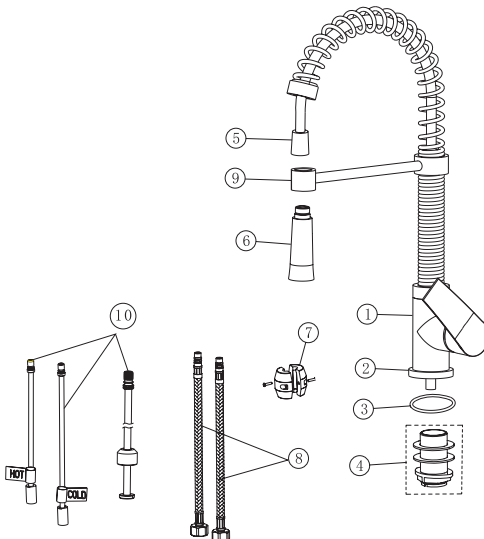
Keep the supply pipes unblocked



No leakage in the connection

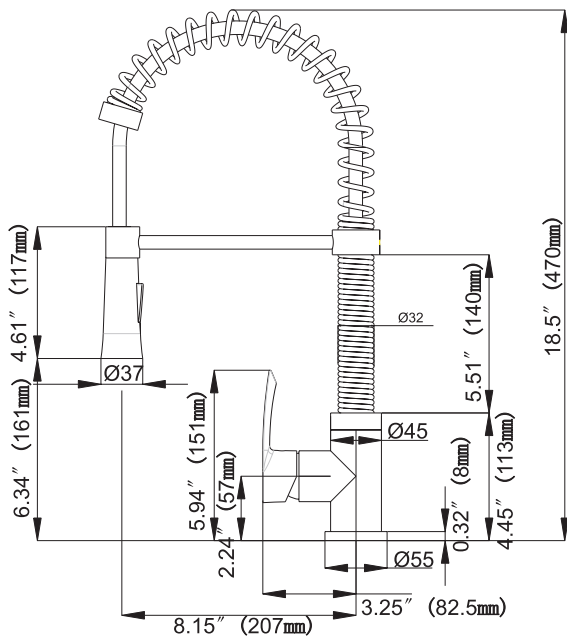
Note: We have been enhancing our products quality by constantly improving the design and performance. We reserve the right to change specifications, product descriptions, product quality, pricing and application at any time without prior written or oral notice.

2. Accessories list



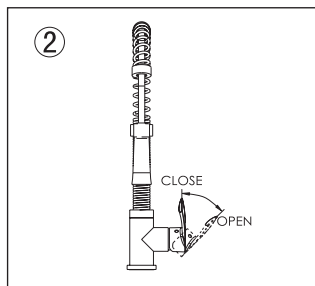
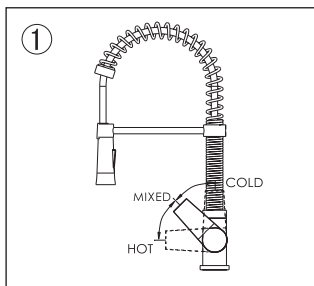
10	Copper tube
9	Shower bracket
8	Hose
7	Weight balance
6	Sprayer
5	Shower hose
4	Metal kit
3	O-Ring
2	Base
1	Body
ITEM	DESCRIPTION

3. Dimension drawing

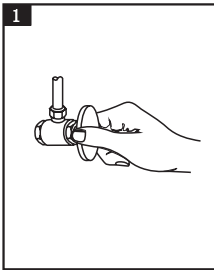


4. Instructions

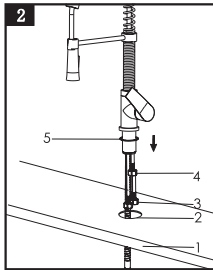
1. Move the handle left to control the hot water, move the handle right to control the cold water.
2. Move the handle right to turn on the mixer, move it vertically to close.



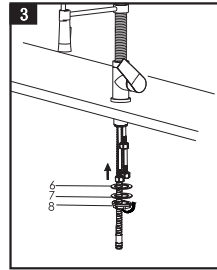
Installation steps



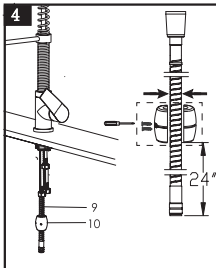
You should clean all the dirt from valve outlets. Turn off the water supply valves. This is usually found near the water meter. If you are replacing an existing faucet, remove the faucet from the sink and clean the sink surface thoroughly.



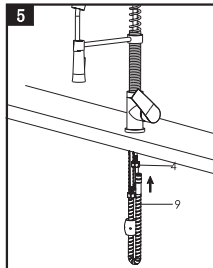
Drill a $\varnothing 33\text{-}\varnothing 35\text{mm}$ hole (2) in sink (1). Put rubber gasket (5) into base groove and then insert the faucet through the hole (2).



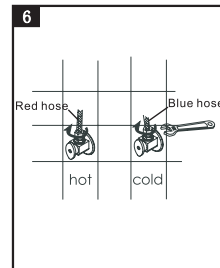
Put all hose through the rubber gasket (6) then through metal gasket (7), finally screw the fitting nut (8).



Fix weight balance (10) on the suitable position of sprayer flexible hose (9) to keep the pulling smoothly. The distance from the end of the outlet pipe connector to the weight balance should be 24".



Connect the sprayer flexible hose (9) with outlet hose (4).



Water-supplying valve (left to hot water and right to cold).

Warranty: This warranty covers faucets only for a one year period. Proof of purchase must accompany all warranty claims. Warranty will provide the parts necessary to put the faucet back in good working condition only, **excluding labor charges.**

BOCCHI USA

11350 Old Roswell Rd. STE 600 T. 877-565-2221
Alpharetta, GA 30009