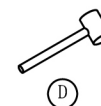
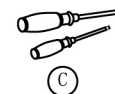
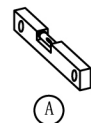


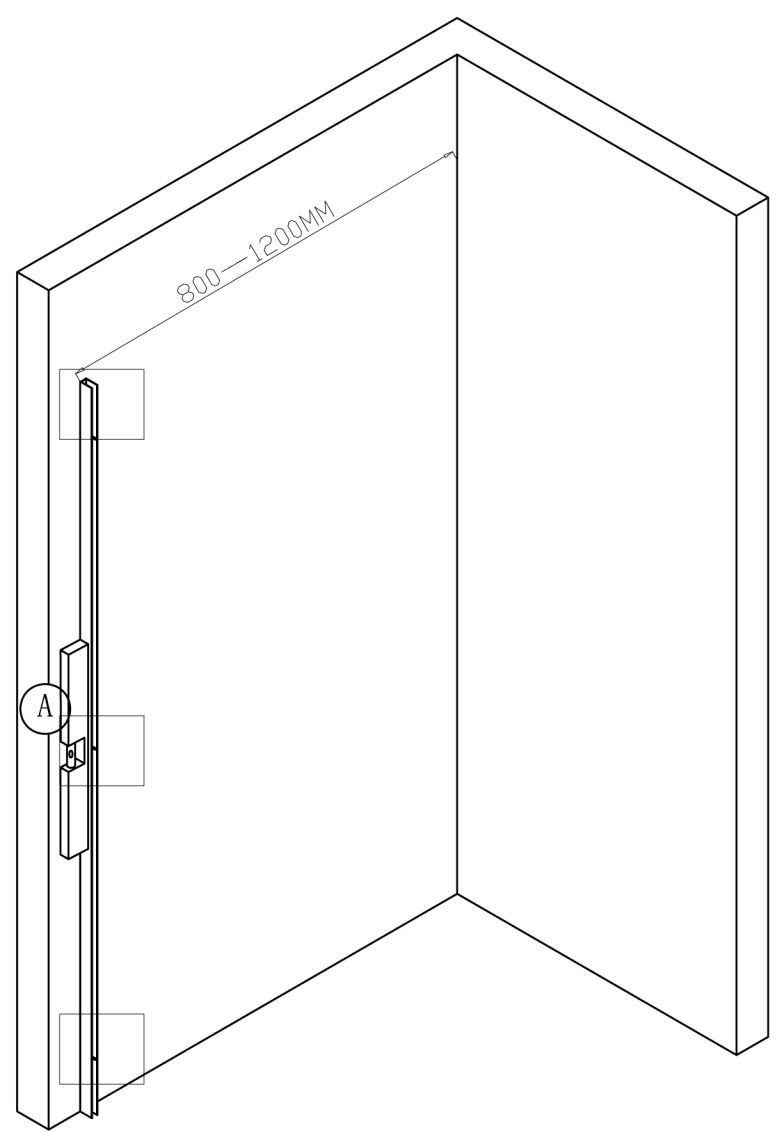
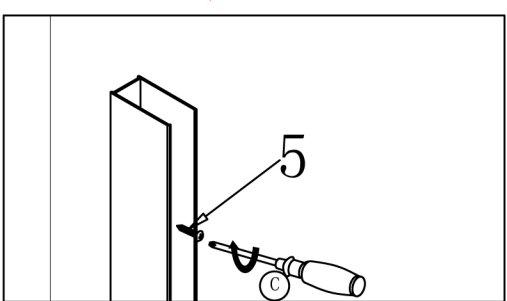
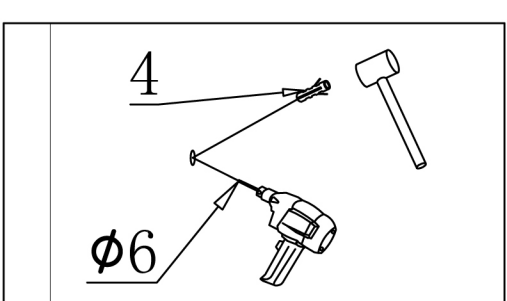
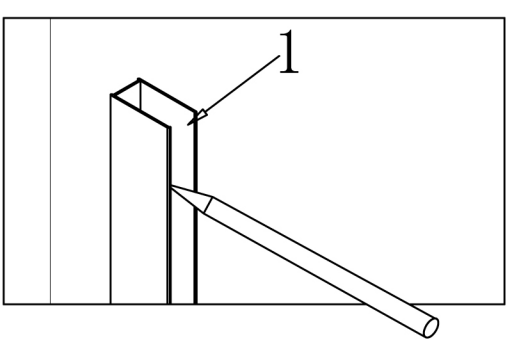
INSTALLATION ACCESSORIES LIST

NO.	QTY	UNIT	NO.	QTY	UNIT
①	1	PC	⑧	1	PC
②	1	PC	⑨	1	PC
③	1	PC			
④	5	PCS			
⑤	5	PCS			
⑥	3	PCS			
⑦	3	PCS			

Tools for installation

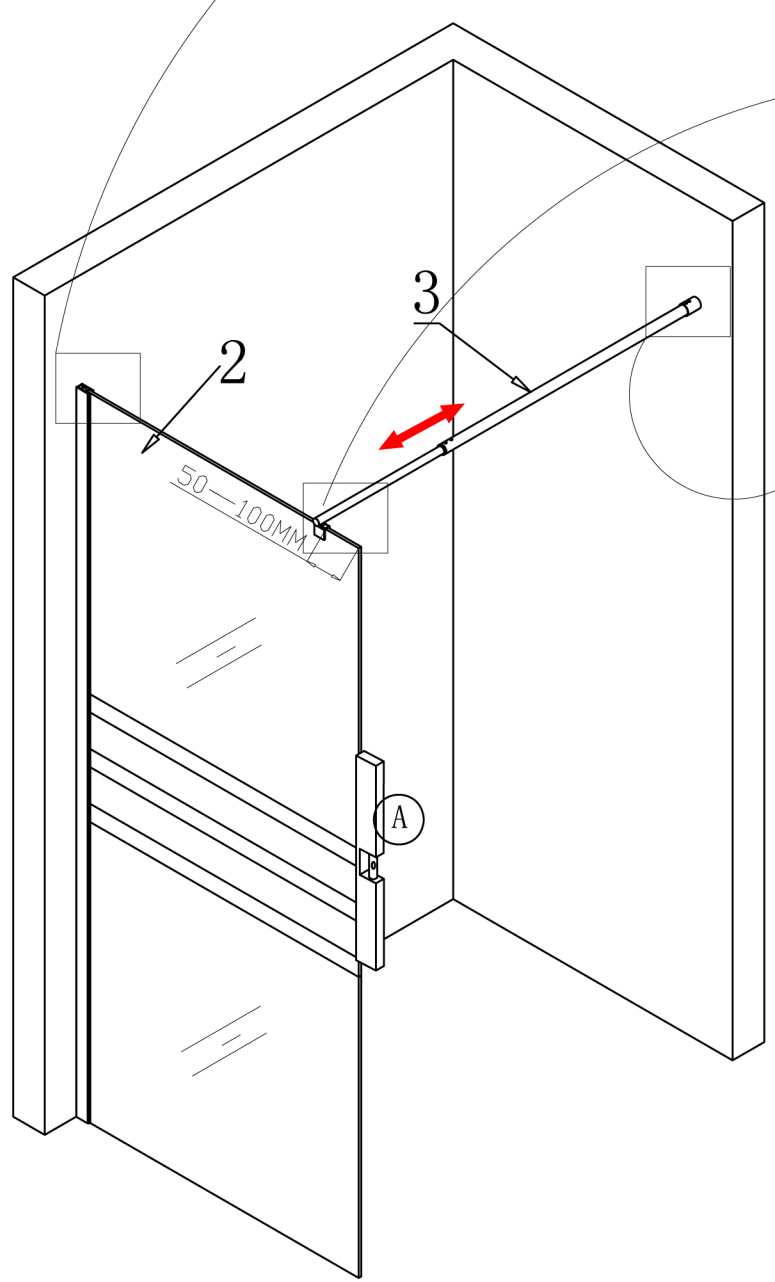


step 1:

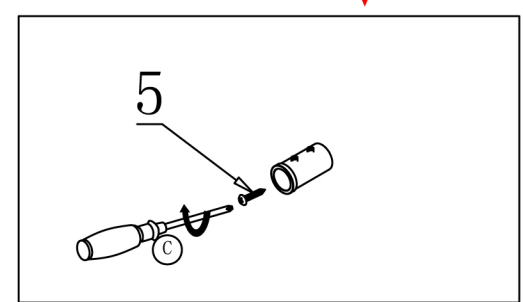
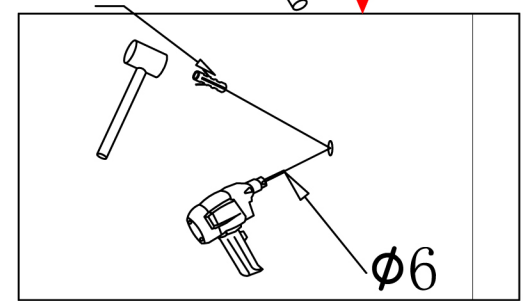
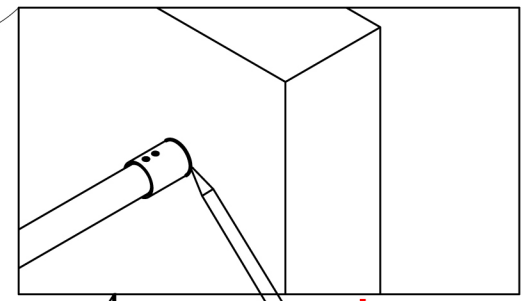
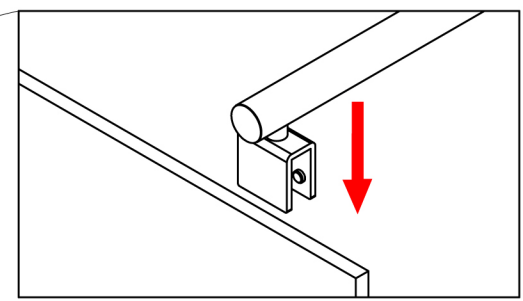
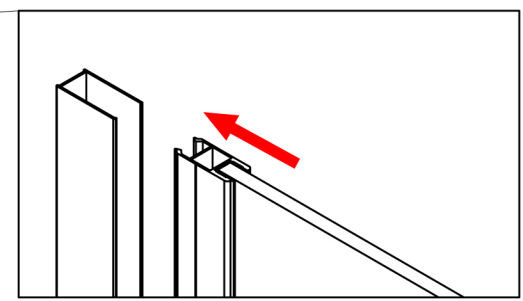


②

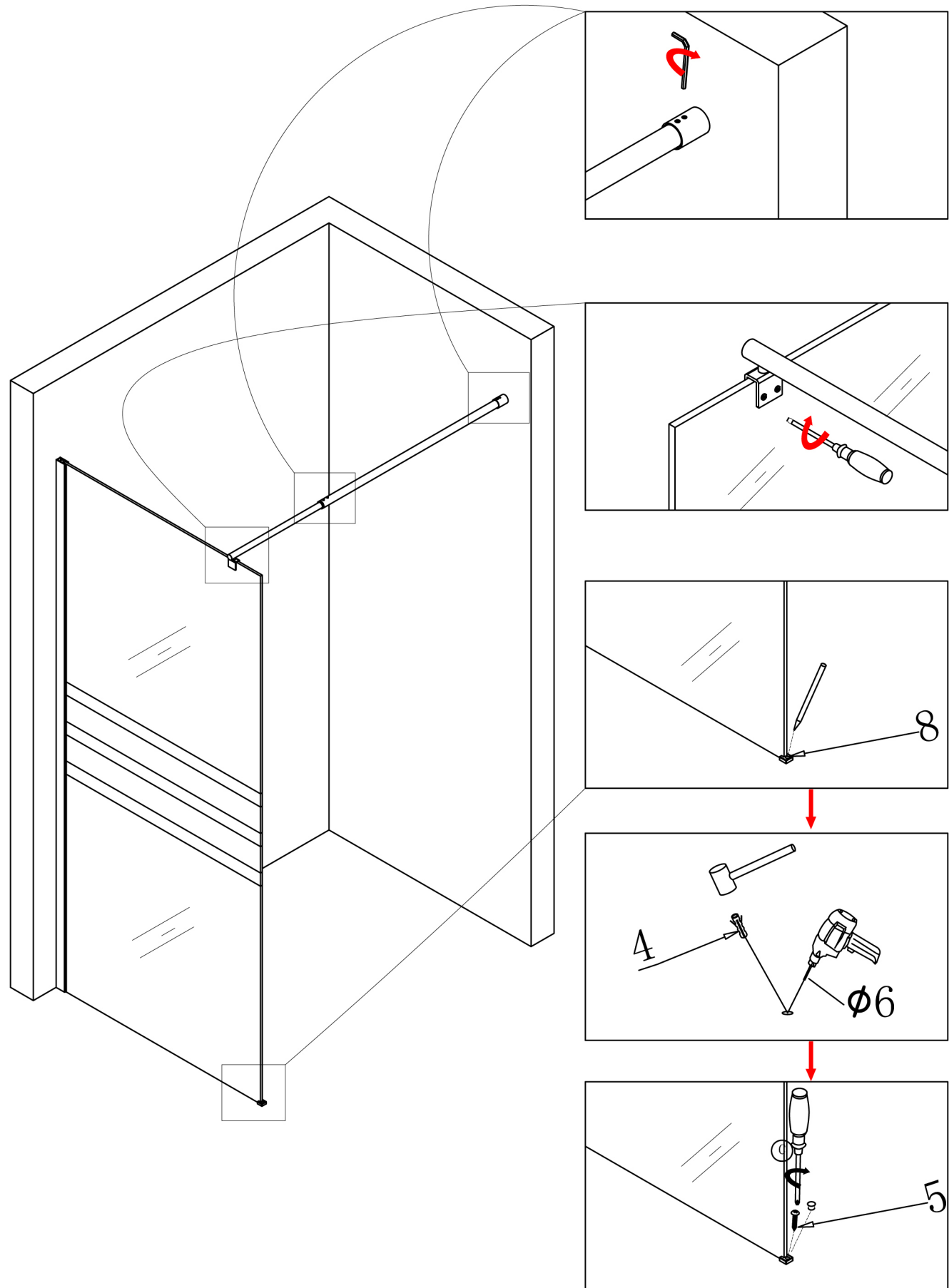
step2:



③

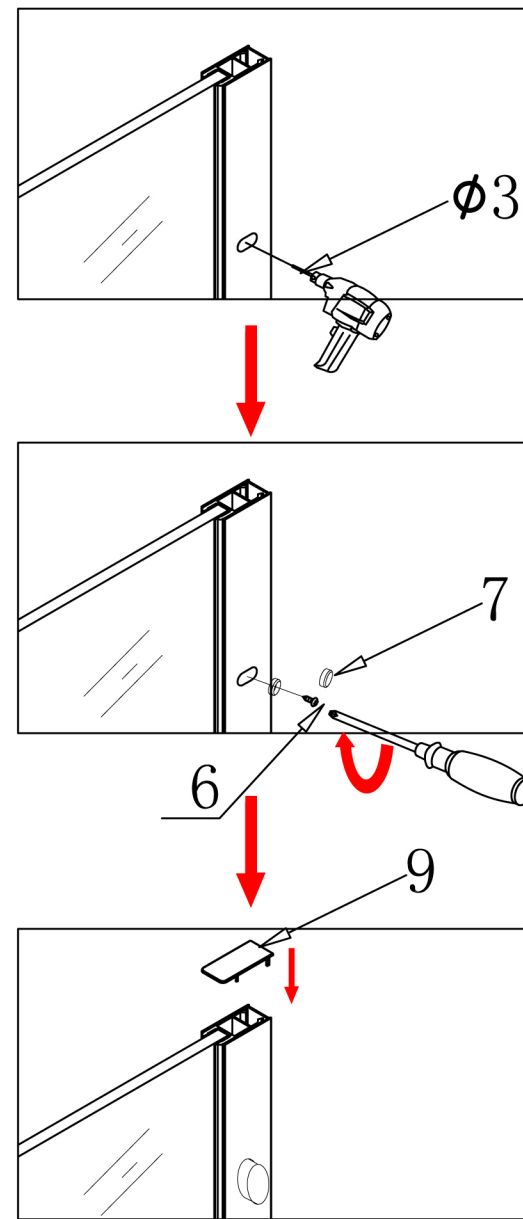


step3:



④

step4:



⑤

