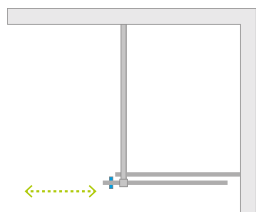


Furo Walk-in

The product in other colour variants can be found: Black on page 51, Gold on page 36.



Profile finish:



01 Chrome 54 Black 09 Gold



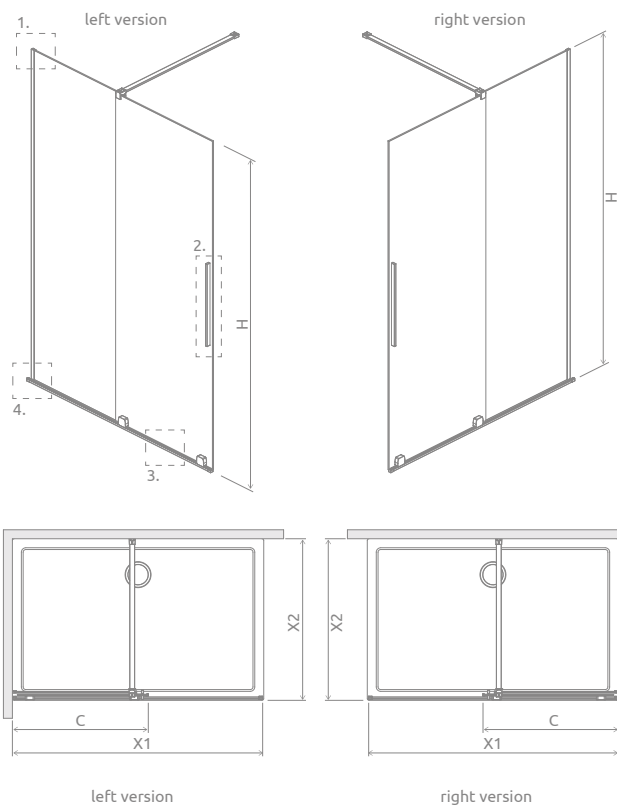
Furo Walk-in + Kyntos F Black



Shower enclosure set consists of 2 parts: shower door and front wall. Please specify all the article numbers when making an order.

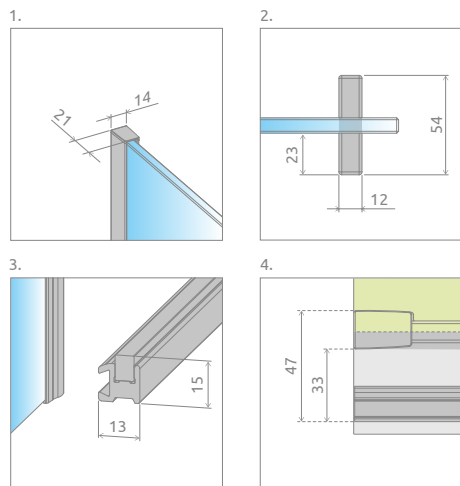
Model	Element	TRANSPARENT GLASS		
		profile finish CHROME Art. No.	profile finish BLACK Art. No.	profile finish GOLD Art. No.
Walk-in 80 L	Door 438 L	10106438-01-01L	10106438-54-01L	10106438-09-01L
	Wall 394	10110394-01-01	10110394-01-01	10110394-01-01
Walk-in 80 R	Door 438 R	10106438-01-01R	10106438-54-01R	10106438-09-01R
	Wall 394	10110394-01-01	10110394-01-01	10110394-01-01
Walk-in 90 L	Door 488 L	10106488-01-01L	10106488-54-01L	10106488-09-01L
	Wall 444	10110444-01-01	10110444-01-01	10110444-01-01
Walk-in 90 R	Door 488 R	10106488-01-01R	10106488-54-01R	10106488-09-01R
	Wall 444	10110444-01-01	10110444-01-01	10110444-01-01
Walk-in 100 L	Door 538 L	10106538-01-01L	10106538-54-01L	10106538-09-01L
	Wall 494	10110494-01-01	10110494-01-01	10110494-01-01
Walk-in 100 R	Door 538 R	10106538-01-01R	10106538-54-01R	10106538-09-01R
	Wall 494	10110494-01-01	10110494-01-01	10110494-01-01
Walk-in 110 L	Door 588 L	10106588-01-01L	10106588-54-01L	10106588-09-01L
	Wall 544	10110544-01-01	10110544-01-01	10110544-01-01
Walk-in 110 R	Door 588 R	10106588-01-01R	10106588-54-01R	10106588-09-01R
	Wall 544	10110544-01-01	10110544-01-01	10110544-01-01
Walk-in 120 L	Door 638 L	10106638-01-01L	10106638-54-01L	10106638-09-01L
	Wall 594	10110594-01-01	10110594-01-01	10110594-01-01
Walk-in 120 R	Door 638 R	10106638-01-01R	10106638-54-01R	10106638-09-01R
	Wall 594	10110594-01-01	10110594-01-01	10110594-01-01
Walk-in 130 L	Door 688 L	10106688-01-01L	10106688-54-01L	10106688-09-01L
	Wall 644	10110644-01-01	10110644-01-01	10110644-01-01
Walk-in 130 R	Door 688 R	10106688-01-01R	10106688-54-01R	10106688-09-01R
	Wall 644	10110644-01-01	10110644-01-01	10110644-01-01
Walk-in 140 L	Door 738 L	10106738-01-01L	10106738-54-01L	10106738-09-01L
	Wall 694	10110694-01-01	10110694-01-01	10110694-01-01
Walk-in 140 R	Door 738 R	10106738-01-01R	10106738-54-01R	10106738-09-01R
	Wall 694	10110694-01-01	10110694-01-01	10110694-01-01
Walk-in 150 L	Door 788 L	10106788-01-01L	10106788-54-01L	10106788-09-01L
	Wall 744	10110744-01-01	10110744-01-01	10110744-01-01
Walk-in 150 R	Door 788 R	10106788-01-01R	10106788-54-01R	10106788-09-01R
	Wall 744	10110744-01-01	10110744-01-01	10110744-01-01
Walk-in 160 L	Door 838 L	10106838-01-01L	10106838-54-01L	10106838-09-01L
	Wall 794	10110794-01-01	10110794-01-01	10110794-01-01
Walk-in 160 R	Door 838 R	10106838-01-01R	10106838-54-01R	10106838-09-01R
	Wall 794	10110794-01-01	10110794-01-01	10110794-01-01

TECHNICAL DRAWINGS

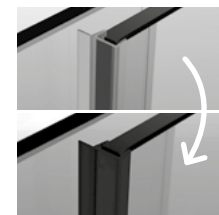


When installed on a shower tray - the minimum width of the edge of the shower tray is 43 mm.

Model	X1	X2	C	H
Walk-in 80	790-800	max 1200	453-463	2000
Walk-in 90	890-900	max 1200	503-513	2000
Walk-in 100	990-1000	max 1200	553-563	2000
Walk-in 110	1090-1100	max 1200	603-613	2000
Walk-in 120	1190-1200	max 1200	653-663	2000
Walk-in 130	1290-1300	max 1200	703-713	2000
Walk-in 140	1390-1400	max 1200	753-763	2000
Walk-in 150	1490-1500	max 1200	803-813	2000
Walk-in 160	1590-1600	max 1200	853-863	2000



If the width of the front of the cabin (X) ≤ 1400 , it is possible to change the perpendicular support bar to the corner one. This option should be clearly stated in the order.



There is a possibility of a paid replacement of transparent gaskets (vertical and horizontal) for black gaskets. This option should be clearly stated in the order.

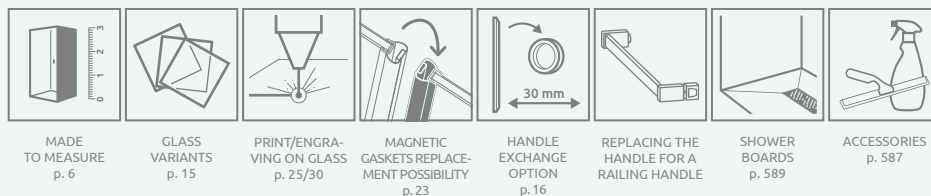


It is possible to make the product with a railing handle (in chrome or black) which also functions as a towel hanger.



It is possible to extend the entrance by 30 mm by replacing the vertical handle with a round one (only in chrome and black colour). Please contact the non-standard cabins department.

ADDITIONAL OPTIONS



NAVIGATION

