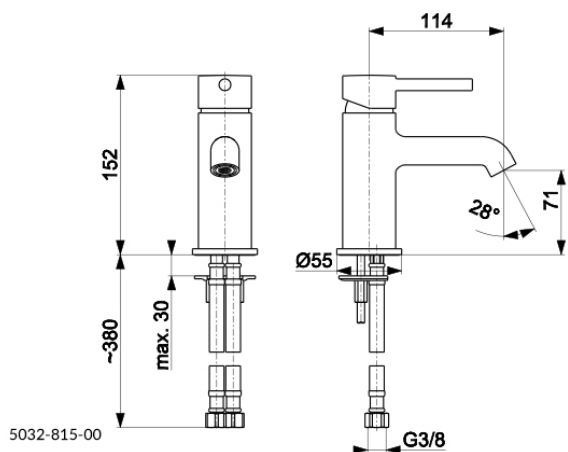


## MOZA

### CHROME STANDING WASHBASIN MIXER



#### PRODUCT DESCRIPTION:

<b>INDEX:</b>	5032-815-00
<b>EAN:</b>	5907571500579
<b>Colour:</b>	chrome
<b>PKWiU:</b>	28.14.12-33.01.01
<b>Type:</b>	standing mixer
<b>Material:</b>	brass
<b>Control element:</b>	Ø35 ceramic cartridge
<b>Aerator:</b>	Neoperl Rub Clean
<b>Water flow [l/min]:</b>	5
<b>Working pressure [atm]:</b>	3
<b>Max water temperature [°C]:</b>	≤90/65
<b>Acoustic group:</b>	II
<b>Spout:</b>	fixed
<b>Spout length [mm]:</b>	114

#### THE PACKAGING CONTAINS:

small click-clack drain with overflow, mounting set with gaskets, M10x1/G3/8" flexible hoses (L=350 mm, 2 pcs)

#### WARRANTY:

10 years for tightness of cast parts and failure-free operation of ceramic cartridges

#### CERTIFICATES AND DECLARATIONS:

The product is made according to the standard PN-EN 817:2008, it has Hygienic Attestation, Declaration of Conformity