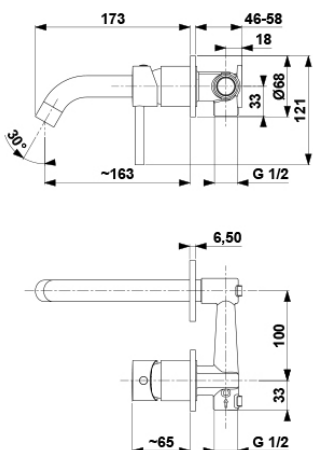


## MOZA

### CHROME CONCEALED WASHBASIN MIXER



5039-810-00



#### PRODUCT DESCRIPTION:

<b>INDEX:</b>	5039-810-00
<b>EAN:</b>	5907571500616
<b>Colour:</b>	chrome
<b>PKWiU:</b>	28.14.12-33.01.01
<b>Type:</b>	wall-mounted
<b>Material:</b>	brass
<b>Control element:</b>	Ø35 ceramic cartridge
<b>Aerator:</b>	Neoperl Rub Clean
<b>Water flow [l/min]:</b>	6
<b>Working pressure [atm]:</b>	3
<b>Max water temperature [°C]:</b>	≤90/65
<b>Acoustic group:</b>	II
<b>Spout:</b>	fixed
<b>Spout length [mm]:</b>	173

#### THE PACKAGING CONTAINS:

mixer body, spout, rosettes

#### WARRANTY:

10 years for tightness of cast parts and failure-free operation of ceramic cartridges

#### CERTIFICATES AND DECLARATIONS:

The product is made according to the standard PN-EN 817:2008, it has Hygienic Attestation, Declaration of Conformity