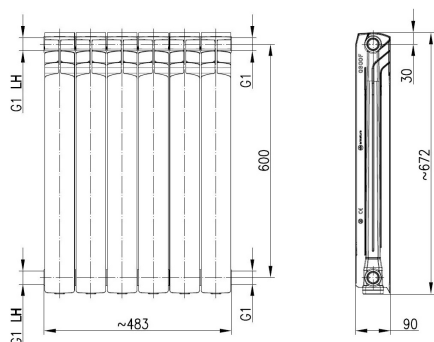


## G600F

### 6-SECTION ALUMINIUM RADIATOR



#### PRODUCT DESCRIPTION:

<b>INDEX:</b>	772-060-44
<b>EAN:</b>	5907571770224
<b>Colour:</b>	white
<b>RAL:</b>	RAL 9010
<b>PKWiU:</b>	25.99.29-55.01
<b>Production:</b>	Poland
<b>Material:</b>	aluminium
<b>Total section height [mm]:</b>	672
<b>Assembly height [mm]:</b>	600
<b>Total width [mm]:</b>	483
<b>Section depth [mm]:</b>	90
<b>Water capacity [dm<sup>3</sup>]:</b>	2,1
<b>Max water temperature [°C]:</b>	95
<b>Thermal capacity of one section for t=30°C [W]:</b>	404,9
<b>Thermal capacity of one section for t=50°C [W]:</b>	787,8
<b>Working pressure up to [Mpa]:</b>	2.0
<b>Works with a copper system:</b>	yes

#### THE PACKAGING CONTAINS:

G600F aluminium radiator, installation manual, warranty

#### WARRANTY:

20 years

#### CERTIFICATES AND DECLARATIONS:

The product is made according to the standard EN 442-1:2014, it has Hygienic Attestation, declarations of performance

<b>Connection:</b>	side
<b>Net weight [kg]:</b>	8,67