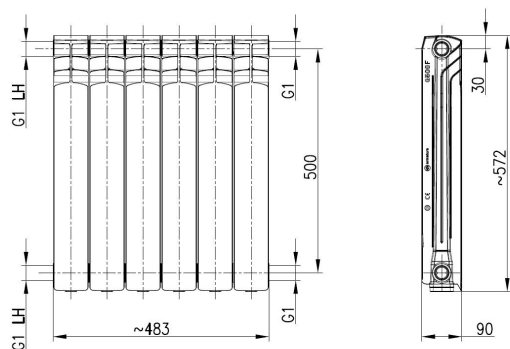


G500F

6-SECTION ALUMINIUM RADIATOR



PRODUCT DESCRIPTION:

INDEX:	789-060-44
EAN:	5907571780698
Colour:	white
RAL:	RAL 9010
PKWiU:	25.99.29-55.01
Production:	Poland
Material:	aluminium
Total section height [mm]:	572
Assembly height [mm]:	500
Total width [mm]:	483
Section depth [mm]:	90
Water capacity [dm³]:	1,7
Net weight [kg]:	8,1
Working pressure up to [Mpa]:	2,0
Thermal capacity of one section for t=30°C [W]:	347,4
Thermal capacity of one section for t=50°C [W]:	677,2
Works with a copper system:	yes

THE PACKAGING CONTAINS:

G500F aluminium radiator, installation manual, warranty

WARRANTY:

20 years

CERTIFICATES AND DECLARATIONS:

The product is made according to the standard PN-EN 442-1: 2015-02, it has Hygienic Attestation, declarations of performance

Connection:

side
