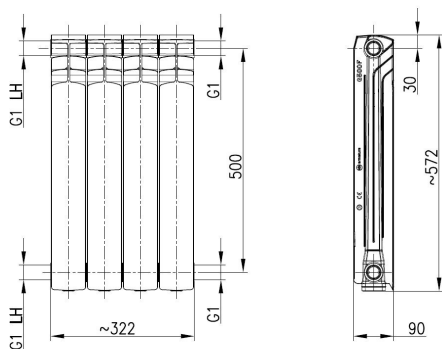


G500F

4-SECTION ALUMINIUM RADIATOR



PRODUCT DESCRIPTION:

INDEX:	777-040-61
EAN:	5907571770279
Colour:	graphite
RAL:	RAL 9007
PKWiU:	25.99.29-55.01
Production:	Poland
Material:	aluminium
Total section height [mm]:	572
Assembly height [mm]:	500
Total width [mm]:	322
Section depth [mm]:	90
Water capacity [dm ³]:	1.2
Net weight [kg]:	5,67
Max water temperature [°C]:	95
Working pressure up to [Mpa]:	2.0
Works with a copper system:	yes
Connection:	side
Thermal capacity of four section for t=30°C [W]:	231,6

THE PACKAGING CONTAINS:

G500F aluminium radiator, installation manual, warranty

WARRANTY:

20 years

CERTIFICATES AND DECLARATIONS:

The product is made according to the standard PN-EN 442-1: 2015-02, it has Hygienic Attestation, declarations of performance

Thermal capacity of four section 451,5
for $t=50^{\circ}\text{C}$ [W]:
