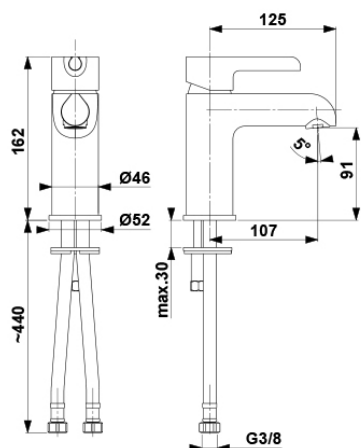


ANGELIT

STANDING WASHBASIN MIXER



4722-815-40
4722-815-00



PRODUCT DESCRIPTION:

| | |
|------------------------------------|-----------------------|
| INDEX: | 4722-815-00 |
| EAN: | 5907571471558 |
| Colour: | chrome |
| PKWiU: | 28.14.12-33.01.01 |
| Type: | standing |
| Material: | brass |
| Control element: | Ø40 ceramic cartridge |
| Aerator: | yes |
| Water flow [l/min]: | 12 |
| Working pressure [atm]: | 3 |
| Max water temperature [°C]: | ≤90/65 |
| Acoustic group: | II |
| Spout: | fixed |
| Spout length [mm]: | 107 |

THE PACKAGING CONTAINS:

small click-clack drain with overflow, mounting set with gaskets, M10x1/G3/8" flexible hoses (L=450 mm, 2 pcs)

WARRANTY:

10 years for tightness of cast parts and failure-free operation of ceramic cartridges

CERTIFICATES AND DECLARATIONS:

The product is made according to the standard PN-EN 817:2008, it has Hygienic Attestation, Declaration of Conformity