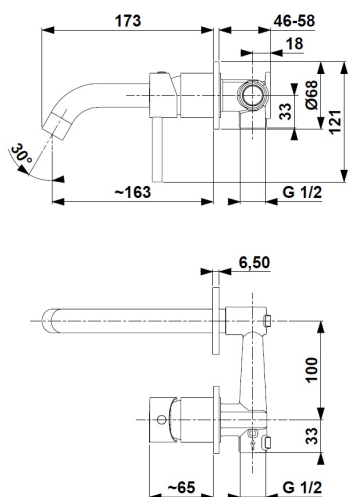


MOZA

GOLD CONCEALED WASHBASIN MIXER



PRODUCT DESCRIPTION:

INDEX:	5039-810-31
EAN:	5907571500784
Colour:	brushed gold
PKWiU:	28.14.12-33.01.01
Type:	wall-mounted mixer
Material:	brass
Control element:	Ø35 ceramic cartridge
Aerator:	Neoperl Rub Clean
Water flow [l/min]:	6
Working pressure [atm]:	3
Max water temperature [°C]:	≤90/65
Acoustic group:	II
Spout:	fixed
Spout length [mm]:	173

THE PACKAGING CONTAINS:

mixer body, spout, rosettes

WARRANTY:

10 years for tightness of cast parts and failure-free operation of ceramic cartridges

CERTIFICATES AND DECLARATIONS:

The product is made according to the standard PN-EN 817:2008, it has Hygienic Attestation, Declaration of Conformity