

FOREVER WARRANTY

Guardair Corporation warrants the Personnel Cleaning Station NED to be free from defects in materials and workmanship for as long as the original end-user purchaser owns the product, except as provided below. Guardair will, at its option, repair or replace with comparable product, any product, part, or component, which fails under normal use as a result of such defect. This warranty does not apply to damage caused by the carrier; normal wear and tear; deterioration due to solvents, corrosives, environmental conditions or harsh vacuumed material; soiling, saturation, or perforation of filters or exhaust silencers; consumable components; modifications to the product; attachments to the product not sold by Guardair; or any product not installed, used, or maintained in accordance with the foregoing and other published Guardair instructions and warnings.

Consumable components purchased from Guardair, including attachments, vacuum hose, filters, exhaust silencers, and cover gaskets are warranted for a period of 90 days against defects in materials and workmanship, subject to the same exclusions noted above.

This warranty covers the original purchase of new product by an end-user for normal industrial or commercial use only when installed and used as specified and in accordance with published operating instructions and within all applicable regulatory rules, limits, and guidelines.

THIS WARRANTY IS THE ONLY WARRANTY MADE BY GUARDAIR FOR THIS PRODUCT, AND ALL OTHER WARRANTIES, EXPRESS OR IMPLIED, INCLUDING BUT NOT LIMITED TO THE IMPLIED WARRANTIES OF MERCHANTABILITY AND FITNESS FOR A PARTICULAR PURPOSE ARE DISCLAIMED.

Guardair's sole obligation and the end-user purchaser's exclusive remedy under this warranty shall be limited to the repair or replacement, at the sole discretion of Guardair, of product or components. In no event shall Guardair be responsible for special, consequential or incidental damages arising out of a claim for defective product or failure of warranty. All labor and material costs of repair or replacement under this warranty shall be the responsibility of Guardair. Shipping costs to and from the purchaser associated with repair or replacement under this warranty shall be the responsibility of Guardair for a period of one year from the date of sale, and shall be the responsibility of the purchaser thereafter.

This warranty applies to purchasers within and products used within the United States and Canada only.

To obtain service under this warranty, within 30 days of the discovery of the defect, the end-user purchaser must contact the dealer or distributor from whom the product was purchased, or contact Guardair at the address shown below. The purchaser must provide a reasonable opportunity for inspection and investigation of the claim, prior to any repairs or alteration to the product. Until the claim is resolved, the purchaser must discontinue use of the product if continued use creates or exacerbates problems associated with, or incidental to, the defect. Proof of purchase will be verified by the selling party and applicability of the warranty will be determined by Guardair. Guardair will determine whether to provide replacement parts, provide repair service or replace the product. Written approval from Guardair must be obtained before any warranty work is performed. Any repairs performed by persons other than Guardair or its authorized dealers or distributors will void this warranty.

QUESTIONS? Contact Guardair with any questions concerning application, operation, and performance of the Guardair Personnel Cleaning Station NED, regardless of the original purchase date.

WARNING!

Fire/Explosion Danger

Guardair vacuums, like all other electric and pneumatic vacuums can potentially generate static electric charges. The use of static conductive hoses in conjunction with Guardair vacuums are intended to control and eliminate static electric discharge. Guardair vacuums are NOT APPROVED for use in any hazardous (classified) location, such as locations determined under NFPA 70 (National Electrical Code) to be Class I (flammable liquids, gases and vapors - includes all Class I Divisions and IEC Zones), Class II (combustible dust - includes all Class II Divisions and IEC Zones) and Class III (ignitable fibers and flyings - includes all Class III Divisions and IEC Zones).



CAUTION



Always wear eye and ear protection when operating this unit. Avoid bare skin. Do not use on face including around the eyes, nose, mouth, or ears.



2000A09NED

GUARDAIR®
CORPORATION

47 Veterans Drive • Chicopee, MA 01022 • 800.482.7324 • www.guardaircorp.com



CS3000NED

Personnel Cleaning Station NED

Operating Manual



GUARDAIR®

SET-UP AND OPERATION

Congratulations, you have purchased a Guardair Personnel Cleaning Station NED (PCS NED)! The PCS NED is the safest and most effective way to remove dust, powders and particulates from clothing and skin. This light-weight, rugged 5.5 gallon pneumatic vacuum runs on standard shop compressed air and mounts on any vertical surface, thus saving floor space. The PCS NED has no electrical motor to burn out, generates no sparks, and has no power cords to trip over. Maintenance is low and it's engineered for dry and wet applications with a liquid shut-off and canister drain. Emptying the polyethylene canister is quick and easy and the cartridge filter is simple to replace. Most importantly, the PCS NED meets OSHA requirements!

For Your Safety

Make sure all compressed air connections to the compressed air supply are secure and the air line is turned off at the nearest valve. Disconnect compressed air connections only after the compressed air supply has been turned off and the air line had been vented by opening the valve on the vacuum head. NEVER disconnect a pressurized compressed air line. Always wear eye and ear protection when operating air tools and related equipment.

Air Supply

Adequate compressed air supply is essential to the proper performance of the PCS NED. Compressed air requirements include a $\frac{3}{8}$ " ID air line equipped with a $\frac{3}{8}$ " FNPT compatible connector capable of supplying a minimum of 33 cfm.

NOTE: These requirements are for compressed air volume, not pressure. The recommended operating pressure for PCS NED is 80-120 psi, although the unit will operate at lower pressures with a corresponding reduction in performance.

Set-Up

Mount the mounting plate as close as practical to the work area and hang the vac unit on the plate. Make sure the vacuum head is secured on the collection canister with both clamps locked. Attach vacuum hose portion of the vacuum/air hose assembly to the vacuum inlet on the canister and connect the air hose to air fitting on vacuum head. Connect the air agitator brush attachment to the other end of the vacuum/air hose assembly by hooking up both the vacuum hose and the air line. Ground the vacuum using one of the methods in "GROUNDING YOUR VACUUM" section. Connect the PCS NED to air supply line.

Grounding Your Vacuum

The PCS NED is built entirely of static conductive components. When the unit is properly grounded, any static charge generation will dissipate to ground. The PCS NED comes standard with 2 options for grounding. First, the supplied compressed air hose can be used to ground through your [grounded] compressed air system. In addition, a grounding lug is supplied on the mounting plate where a grounding cable can be attached, with the other end of the cable attached to an approved grounding location such as a metallic water pipe system, earthing electrode, or structural steel (if grounded). Always verify approved grounding locations. Always verify electrical bonds with a multimeter.

Guardair sells high performance grounding cables, see **REPLACEMENT PARTS** for more information.

Operation

Activate the unit by turning the shut-off valve to on position. The PCS NED is now on and will continuously vacuum until shut-off valve is turned off. Using the air agitator brush attachment, brush clothing or skin that requires cleaning. For stubborn debris encountered while vacuuming, press the air agitator lever. This will direct a jet of compressed air to the surface, loosen the debris, render it airborne, and into the vacuum.

When finished cleaning, turn the shut-off valve to off position
CAUTION: Always wear eye and ear protection when operating this unit. Avoid bare skin. Do not use on face including around the eyes, nose, mouth, or ears.

Emptying Collection Canister

To empty waste from the canister, turn the shut-off valve to off position, disconnect air line, remove unit from the mounting plate, and set on a flat surface. Unfasten latches, lift the vacuum head off the canister, and empty the debris. For liquids, loosen the drain valve, and drain into another container.

WARNING: Do not loosen latches and remove canister while unit is mounted on mounting plate.

Maintenance

The PCS NED is rugged and practically maintenance free, however the Cartridge Filter (MV2000F1) will need cleaning or replacement when dirty. Periodically check the Gasket (MV2000G) and replace if worn or damaged. The Exhaust Bag (MV2000EB) provides added filter protection and serves as a muffler. Clean and replace if ripped or damaged. These parts can be purchased directly from Guardair or from your PCS NED distributor. See **REPLACEMENT PARTS** for a complete list. Check proper ground connection periodically. Inspect for clean, metal to metal mating surfaces and verify bond with a multimeter.

Questions? Contact Guardair Customer Service at 800.482.7324.

MOUNTING OPTIONS

Personnel Cleaning Station NED hangs on the mounting plate by two steel knobs (fig 1). Rubber bumpers (included) space the plate away from the mounting surface so that the steel knobs can reach thru and slide into the two slots (fig 2).

The rubber bumpers can be screwed onto the mounting plate to any desired location (fig 3). As seen in (fig 4), holes are usually in pairs, allowing fasteners to be placed close to a bumper. Though not necessary, this practice will keep the mounting plate flat.

The thickness of the mounting plate plus the bumper is $\frac{5}{8}$ ". Recommended fasteners include:



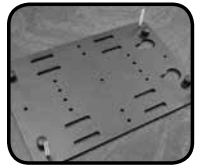
(fig 1)



(fig 2)



(fig 3)



(fig 4)

TECHNICAL SPECS

CAPACITY
 NOMINAL: 5.5 GALLONS
 DRY: 3.5 GALLONS
 WET: 4 GALLONS

TOTAL WEIGHT
 16 LBS

MATERIAL
 VACUUM UNIT: STATIC CONDUCTIVE
 POLYETHYLENE
 MOUNTING PLATE: STEEL

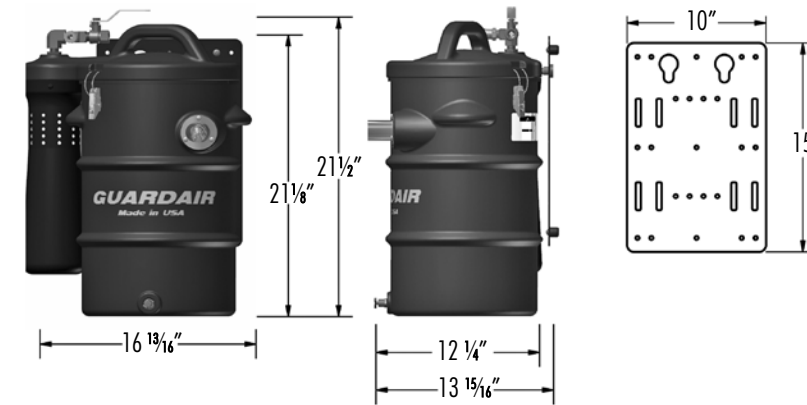
AIR REQUIREMENTS
 AIR CONSUMPTION: 33 CFM
 AIR PRESSURE: 80-100 PSI
 INLET: $\frac{3}{8}$ " FNPT

VACUUM PERFORMANCE
 VACUUM FLOW: 73 CFM
 VACUUM HEAD: 77 IN H2O
 NOISE LEVEL: 88 DBA

FILTRATION
 CARTRIDGE FILTER
 77% EFFICIENT @ 0.8 MICRONS

VACUUM HOSE
 SIZE: 1 $\frac{1}{4}$ " ID
 LENGTH: 5'

AIR SUPPLY HOSE
 SIZE: $\frac{3}{8}$ " ID
 LENGTH: 20'



REPLACEMENT PARTS



ITEM	PART#	DESCRIPTION
1	MV2000MP	Mounting Plate
2	MV2000G	Gasket
3	MV2000F1	Cartridge Filter — Includes Washer (A) and Wingnut (B)
—	MV2000F2	HEPA Filter — Includes Washer (A) and Wingnut (B)
4	MV2000EB	Exhaust Bag — Includes Hose Clamp (C)
5	2000A04NED	Vacuum/Air Hose Assembly 5'
6	2000A03NED	Air Agitator Brush Attachment
—	2100A01NED	$\frac{3}{8}$ " x 20' Static Conductive Air Supply Hose
—	14VA120	10' Grounding Clamp Assembly
—	14VA240	20' Grounding Clamp Assembly