

GUARDAIR®

SS2020 Syphon Spray System – Operating Manual

WARNING

Read all safety warnings and instructions before installing or operating unit. Failure to follow the warnings and instructions may result in injury. It is the owner's responsibility that all Syphon Spray System operators read this manual.

CHECK SAFETY DATA SHEET (SDS) TO CONFIRM CHEMICAL SOLUTION IS RECOMMENDED FOR SPRAY APPLICATION.

NOTE: Chemical solutions not compatible with PVC, Brass, and Aluminum are not recommended for use with the Syphon Spray System.

ABOUT

Powered by compressed air, the Syphon Spray System is ideal for spraying benches, tools, machinery and work surfaces with disinfectants, degreasers, lubricants, and other solutions. Featuring a 12" Syphon Spray Gun drawing from a 20-gallon canister, the Syphon Spray System delivers up to 16 gallons of liquid per hour. Adjustable nozzle tip controls flow and spray pattern. 20-gallon polyethylene canister stores cleaning solutions with a secure lid to avoid spillage while rolling. Canister mounted on maneuverable dolly with push handle.

CAUTION

- Always wear hearing and eye protection. Eye protection to conform to ANSI Z87.1. Fully enclosed eyewear, such as goggles, are recommended.
- Wear skin and respiratory protection when operating the Syphon Spray System.
- Never point the spray gun at yourself, another person, or any object you do not want coated with solution.
- Always give notice to others before spraying atomized solutions into shared workspaces. Allow others to exit workspace before spraying solutions.
- Always direct the discharge away from people and electrical devices.
- Never spray flammable, caustic, acidic, or other corrosive solutions or heat, pressure, or gas producing chemicals. This includes isopropyl alcohol and acetone.
- Always read and follow solution manufacturer's instructions before use with this sprayer. Some solutions are not recommended for spray applications.
- Follow solution safety and handling precautions outlined by solution manufacturer and Safety Data Sheet (SDS). SDS can be obtained from manufacturer, retailer or distributor.
- Always depressurize unit after use (as noted in Operation section), and store unit depressurized.
- Work alert and wear proper attire. Do not operate tools under the influence of alcohol or drugs.
- Air line hazard: Pressurized supply lines and flexible hoses can cause serious injury. Do not use damaged, frayed or deteriorated air hoses and fittings.
- Warning: Cancer and Reproductive Harm
www.P65Warnings.ca.gov.

COMPRESSED AIR REQUIREMENTS

9 scfm @ 80 – 120 psi
Minimum Air Compressor Size: 2HP
Use 3/8" ID or larger air supply hose

Compressed air generated by compressed air system should be clean and free of all oils and/or debris. Use of filter strongly recommended to remove any contamination from air line.

DO NOT OPERATE THE SYPHON SPRAY SYSTEM ON AIR SUPPLY LINES WITH IN-LINE LUBRICATORS.

SPECIFICATIONS

Syphon Hose Assembly

Length: 20 ft
Materials: Air Hose - EPDM Syphon Tube - PVC

Drum

Capacity: 20 gallons
Material: High density polyethylene

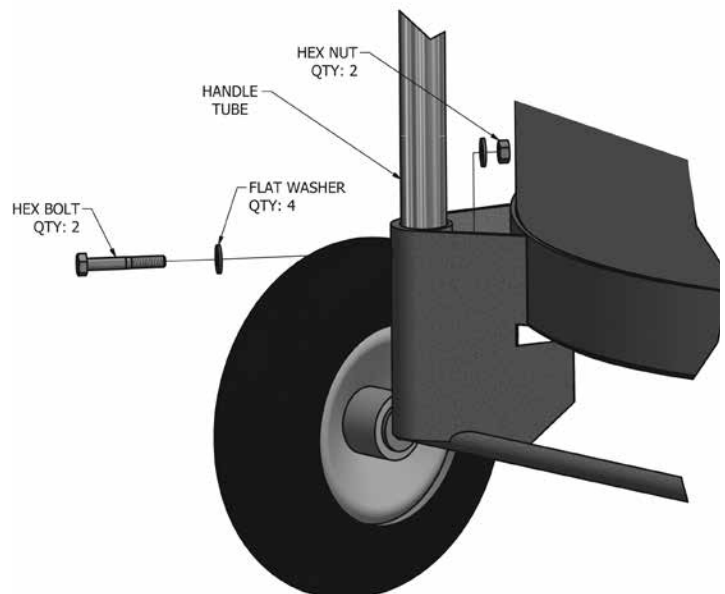
Syphon Spray Gun

Max Syphon Flow Rate: 16 gallons/hour
Max Spray Distance: 5 – 8 ft (approximate)
Operating Temperature: 40° – 140° F
Material: Aluminum body & extension w/ brass nozzle

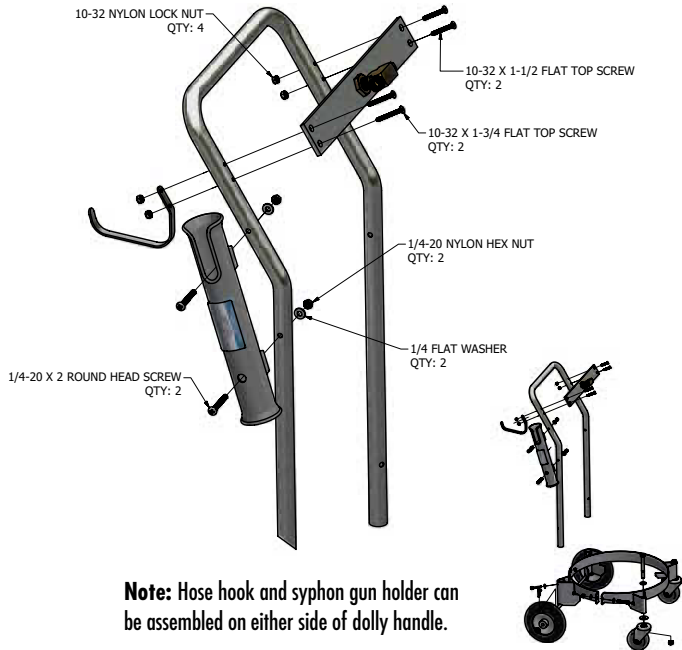
Dimensions

L x W x H: 27" x 20.75" x 35.5"
Weight: 39.6 lbs

DOLLY/HANDLE ASSEMBLY



HANDLE AND INLET MANIFOLD ASSEMBLY



SYPHON HOSE ASSEMBLY INSTALLATION

- Take the end of the syphon hose assembly WITH the brass sinker, and thread the air hose into the 1/4" FNPT brass fitting on the inlet manifold. Use PTFE thread sealing tape.
- On the same end, insert the syphon tube and brass sinker into the hole on top of lid.
- On the other end of the hose (WITHOUT the brass sinker), thread the air hose into the 1/4" FNPT air inlet on the bottom of the syphon gun handle. Use PTFE thread sealing tape.
- Finally, push the clear PVC syphon tube onto the barbed fitting found on the syphon gun.

PREPARATION

- Vacate general public, operators, and personnel from treatment area.
- Cover sensitive instruments and/or electronics. Remove any materials that shouldn't be sprayed. (i.e. papers, personal belongings)
- Ensure area to be sprayed has proper ventilation.
- Place signs and barriers outside of treatment area indicating treatment is in progress.
- Before filling canister, first ensure drain spigot is closed.
- Next, remove the plug from the larger hole on lid and fill canister with solution, avoiding spillage. Use funnel or remove lid entirely if needed. Dilute if necessary with water. Replace plug and secure lid.
- Insert syphon tube and sinker into the smaller hole on top of lid.
- Perform final check before operation. Check tightness of lid clamp, dolly hardware, and all hose fittings.
- Put on personnel protective equipment.

OPERATION

- Connect compressed air supply hose (not included) to quick disconnect plug on inlet manifold.
- Open air supply valve.
- Syphon gun is now pressurized. Note: Canister is never under pressure during operation.
- Stand 4-5 feet away from work surface, aim nozzle and depress trigger to begin flow. Adjust spray pattern to suit.
- Move nozzle in a smooth sweeping motion to coat surfaces. Avoid oversaturation.
- When finished, close compressed air supply valve.
- Depress trigger on syphon gun to purge compressed air. Some solution may discharge.
- Disconnect air supply from air inlet manifold.
- Store hose on hook and place syphon gun in holder after use.
- Allow time for solution to dry before allowing personnel back into cleaning area.

MAINTENANCE

- Flush syphon tube with water prior to extended periods of storage to prevent solutions from drying in syphon tube.
- Empty canister and rinse with water to prevent possible corrosion.
- Inspect hoses, tubes, and fittings for signs of wear after each use. Check syphon gun for solid, tight connections. Replace worn or damaged parts immediately.
- Store solutions in original containers in cool, dry location away from heat or open flames.

REPLACEMENT PARTS

Part No.	Description
N200PL	20 Gallon Canister Assembly
SSH20	20' Syphon Hose Assembly
SSE20	20' Syphon Hose Extension Assembly
79SG012	12" Syphon Spray Gun

COVID-19 CONSIDERATIONS

Covid-19 See EPA website link below for list of disinfectants recommended for use against Covid-19. Check SDS (Safety Data Sheet) to confirm solution is recommended for spray application. Follow all other warnings, cautions, and procedures outlined in this manual.

www.epa.gov/pesticide-registration/list-n-disinfectants-use-against-sars-cov-2

GUARDAIR[®]
C O R P O R A T I O N

