



PowerPoint

P2110XBSS

Extractors

Installation, use and maintenance

Important

The manufacturer cannot be held responsible for injuries or losses caused by incorrect use or installation of this product. Please note that manufacturer reserves the right to invalidate the guarantee supplied with this product following incorrect installation or misuse of the appliance or use in a commercial environment.

This appliance is not designed to be used by people (including children) with reduced physical, sensorial or mental capacity, or who lack experience or knowledge about it, unless they have had supervision or instructions on how to use the appliance by someone who is responsible for their safety.

Under no circumstances should any external covers be removed for servicing or maintenance except by suitably qualified personnel.

Appliance information:

Please enter the details on the appliance rating plate below for reference, to assist PowerPoint Customer Care in the event of a fault with your appliance and to register your appliance for guarantee purposes.

Appliance Model


Serial Number

CE Declarations of Conformity:

This appliance has been manufactured to the strictest standards and complies with all applicable legislation, including Gas safety, Electrical safety (LVD) and Electromagnetic interference compatibility (EMC).

IMPORTANT INFORMATION FOR CORRECT DISPOSAL OF THE PRODUCT IN ACCORDANCE WITH EC DIRECTIVE 2002/96/EC.

At the end of its working life, the product must be taken to a special local authority waste collection centre or to a dealer providing appliance recycling services.

Disposing of a household appliance separately avoids possible negative consequences for the environment and health. It also enables the constituent materials to be recovered, saving both energy and resources. As a reminder of the need to dispose of household appliances separately, the product is marked with a crossed-out wheeled dustbin. 

Please note:

- Under no circumstances should the extractor be connected to any gas ventilation system, flue system or hot air ducting system.
- Do not vent the extractor into an attic or loft space.
- Only house the extractor in rooms with adequate ventilation. Remember that the extractor is powerful and whatever air is extracted needs to be replaced.
- Do not tile the extractor in. It should be removable for service or maintenance.
- Do not use silicone sealant to secure the hood to the wall.
- You must be able to isolate the extractor from the mains electrical supply after installation.
- This extractor has been designed to be used in a room with a volume of less than 36 m³.
- Steam cleaners must not be used when cleaning this appliance.
- The performance of your extractor will vary depending on a number of factors. These include: type of extraction, length of ducting, room volume, ventilation available and cleanliness of the filters.

Using your Extractor

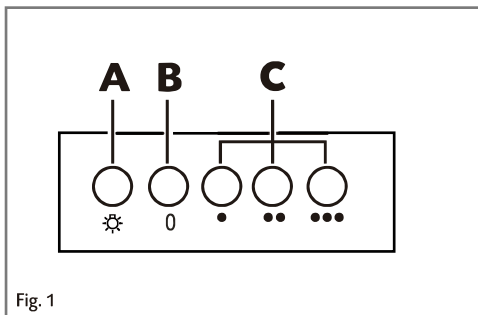
For best performance, you should switch on the extractor 15 minutes before starting to cook and leave it to run for approximately 15 minutes after the end of cooking.

Control Panel

A – Light button

B – Power off button

C – Speed level buttons



To switch the extractor light on or off

Press button A.

To switch on the extractor or to change the speed at any time when the extractor is running

- Press button C for the first, second or third speed level as required.

To switch the extractor off

Press button B.



Care and Maintenance

IMPORTANT : DO NOT PERFORM MAINTENANCE OR CLEANING OF THE EXTRACTOR WITHOUT FIRST SWITCHING OFF THE ELECTRICITY SUPPLY.

Cleaning

You should use a non-abrasive cleaner. Any abrasive cleaner (including Cif) will scratch the surface and could erase the control panel markings.

You can clean you extractor effectively by simply using a dilute solution of water and mild detergent and drying to a shine with a clean cloth.

Cleaning the grease filter

The grease filter should be kept clean to minimise the risk of fire.

At least once a month, you should remove and clean the grease filter with hot soapy water.

To remove the grease filter, follow the steps below:

1. Remove the cover panel by pushing the fixing clips up and then lifting the panel forwards.
2. Remove the filter retaining wires from the cover panel.
3. Remove the grease filter and wash by hand in a lukewarm solution of water and mild detergent. Once clean, squeeze the grease filter but **DO NOT** wring it out. Clean the filter holder using a dilute solution of water and mild detergent or with a damp cloth. Allow the grease filter to dry completely before reassembling the extractor.
4. Replace the grease filter in the cover panel and reattach the filter retaining wires.
5. Replace the cover panel by inserting the lugs on the upper side in the extractor and then refasten the fixing clips on the lower side.

Please note:

The extractor must not be used without the grease filter in place.

Changing the charcoal filter

To ensure best performance of your extractor, you should replace the charcoal filters every four to six months, depending on use. Please note the charcoal filter cannot be washed. To attach a new charcoal filter, follow the steps below.

1. Remove the cover panel as described above.
2. Place the charcoal filter on the centre of the motor support, once firmly located turn the charcoal filter clockwise 90° until the charcoal filter locks into position.
3. Replace the cover panel.



Changing the Light

DO NOT CHANGE THE LIGHT BULB IMMEDIATELY AFTER USE AS THE BULB WILL BE HOT. ALLOW IT TO COOL BEFORE REMOVING IT.

Remove the cover panel as described above, unscrew the light bulb and replace it with the required bulb, as shown in the table below. Finally, replace the cover panel.

| | |
|-----------|----------------------------|
| P2110XBSS | E14 LED 4Wx1 DR-4-H-E14-37 |
|-----------|----------------------------|

Table 1

Do not touch bulbs or adjacent areas during or straight after prolonged use of the lights.

The light is designed for use during cooking and not for general room illumination. Extended use of the light can reduce the life span of the bulb.

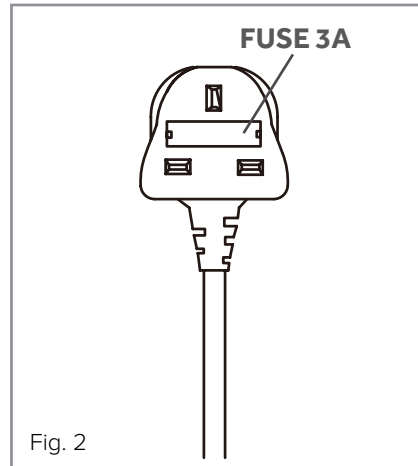
Bulb replacement is not covered by the guarantee.

Only use bulbs recommended for your extractor. Do not fit bulbs of a higher power rating. Bulbs of a lower power rating may be adequate for use, generally last longer and use less energy.

Spare bulbs are available from PowerPoint Customer Care or from your local DIY shop.

PROTECTION LINE

3A Fuse is installed inside the plug to protection line.



Electrical Information

Mains electrical voltage: 230-240V ac, 50Hz

Total rated power consumption:

44W

Troubleshooting

If your extractor is not working:

1. Check that the mains supply has not been switched off.
2. Check that the fuse in the spur has not blown.

Charcoal filter installation

Care and Maintenance

IMPORTANT: DO NOT ATTEMPT TO MAINTAIN OR CLEAN THE EXTRACTOR WITHOUT FIRST SWITCHING OFF THE ELECTRICITY SUPPLY.

In re-circulating mode, air is vented back into the kitchen through the opening in the cooker hood.

This method is advised if you are not using your hob intensively.

Re-circulated air requires the use of charcoal filters to remove odours.

To ensure the best performance from your cooker hood, the charcoal filter should be replaced every 3-6 months, dependent on use.

Check with your local retailer or dealer for information on how to obtain replacement charcoal filters.

Note: This charcoal filter is non-washable and must be replaced as required. To install a new charcoal filter, first remove the grease filter, as shown in Fig.3-I. Then install the charcoal filter as shown in Fig.3-II and replace the grease filter.

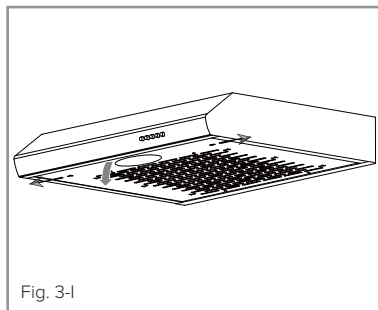


Fig. 3-I

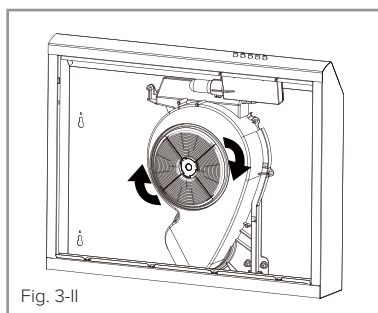


Fig. 3-II

Installation

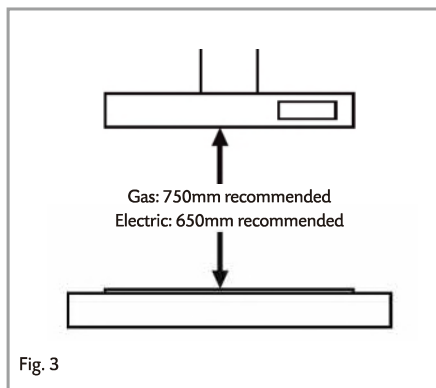
When the extractor is to be installed above an electric hob, the minimum distance between the hob and extractor must exceed 600mm (650mm is recommended).

When the extractor is to be installed above a gas hob, the minimum distance between the hob and extractor must exceed 700mm (750mm is recommended).

If the instructions provided with your gas hob state that the required distance between the hob and extractor must be greater than 700mm, then that is the distance which should be observed. This is a legal requirement and may lead to your hob being disconnected from the gas supply and the installation being reported to RIDDOR (the height should be measured from the top of the burners).

IN THE ABSENCE OF ANY INSTRUCTIONS SUPPLIED WITH THE GAS HOB, THE MINIMUM DISTANCE BETWEEN THE HOB AND EXTRACTOR MUST BE AT LEAST 760mm.

The width of any hob must not be greater than the width of the extractor installed above it.

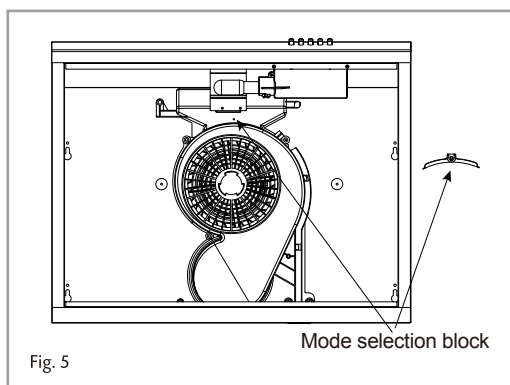
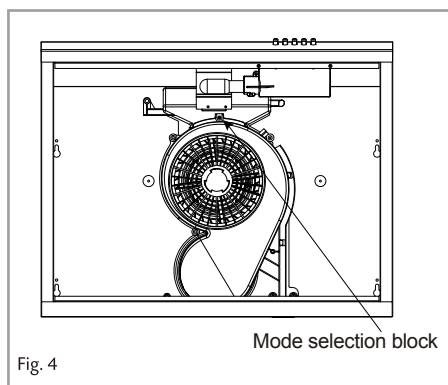


Setting The Extraction Mode

The extractor can be set to operate in one of two modes:

- a. Recirculation – A charcoal filter is used to lower the amount of odours produced during cooking. This mode will not reduce or remove steam generated.
- b. Ducted mode – the air is ducted through to an external wall. A charcoal filter is not required. Most steam and odours generated by cooking will be removed to the outside. This is the most efficient use of your extractor.

The mode selection lever is shown below and can be accessed after the removal of the grease filters as described previously.



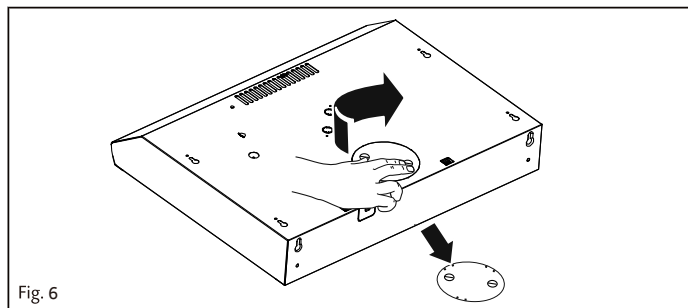
Extraction Mode

For extraction mode, set the mode selection lever as indicated in Fig. 4. The extracted air is then routed through the outlet (Fig. 6). If external extraction is required, please refer to Fig. 6 in order to remove the knock-out plate ready to be installed with a ducting kit.

Recirculation mode

For recirculation mode, move the mode selection lever away from "Extraction Mode" position described above.

NOTE: Take care with the knock-out plates and the remaining holes, as there may be sharp edges.



Installation

We recommend that at least two people install this product to assist when mounting extractor.

The extractor can be mounted in one of two ways:

To mount the extractor directly to the underside of a bridging unit:

Note:

Ensure that the height of the bridging cabinet is at least 140mm more than the minimum height you require above the hob (For example, with PowerPoint hobs, the recommended height of the bridging unit should be 790mm for an electric hob and 890mm for a gas hob)

1. Remove the cover panel.
2. Mark the positions of the fixing holes on the underside of the cabinet, in the position shown in Fig.7.
3. Screw 4 screws partially into the underside of the bridging unit, leaving about 5mm proud, to allow the hood to be mounted. Note that the screws are not supplied and should be chosen carefully to ensure that they will not pierce through to the interior of the bridging cabinet.

For 15mm cabinets, use 13mm screws

For 18mm cabinets, use 15mm screws

4. Carefully locate the extractor on the 4 screws and push it towards the wall.
5. Tighten each of the screws to fix the hood in place.
6. Fit at least two additional screws in the safety holes to prevent accidental contact pulling the extractor from its position.

To mount the extractor to the rear wall:

Note:

To ensure that the extractor is at the correct height after installation, ensure that the fixing holes are positioned at least 125 mm higher than the minimum height specified for hob clearance (for example, with PowerPoint hobs, the recommended height of the fixing holes should be 770mm for an electric hob and 870 mm for a gas hob).

1. Mark two points on the wall 545mm apart and positioned so that the extractor will be central in relation to the hob below.
2. Drill holes of suitable size for the wall fixings you have chosen. PowerPoint takes no responsibility if incorrect wall fixings are used. If in doubt, consult a builder or other qualified person for advice.
3. Insert the wall plugs and partially screw in the suitable screws, leaving approx. 5mm proud.
4. Hang the hood on to the screws and tighten to secure the hood in place.
5. Fit 2 extra screws in the holes below the key slots to prevent accidental contact detaching the extractor from the wall.

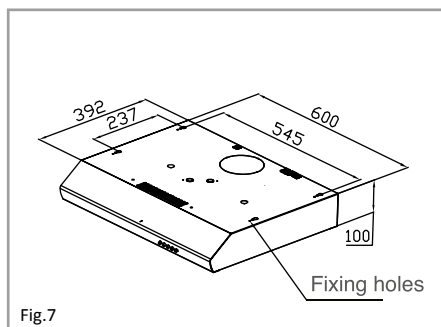


Fig.7

The diagram below shows the underside of the bridging unit with the front at the top

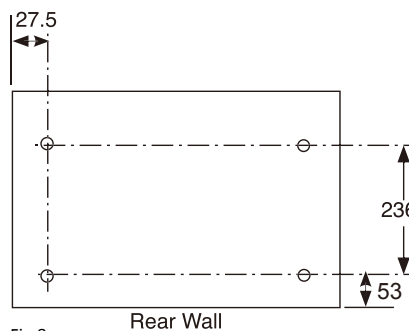


Fig.8

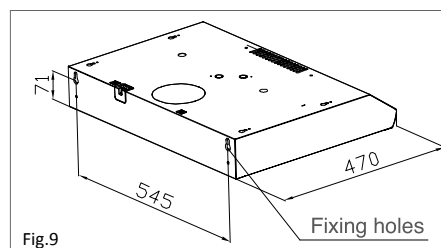


Fig.9

GUARANTEE

Your new product is guaranteed against defects in materials and/or workmanship. Any parts found to be defective will be repaired or replaced at our discretion. All repairs must be carried out by an authorised Service Agent.

THIS GUARANTEE IS VALID PROVIDING THAT :

- The appliance has been installed by a suitably qualified person
- Installation has been carried out in accordance with instructions and current legislation
- Proof of purchase can be produced
- The appliance has been used for domestic purposes only
- The appliance has not been tampered with, attempted to be repaired or modified by any unauthorised person.

THIS GUARANTEE DOES NOT COVER :

- Damage by misuse, neglect or transit
- Use of parts that have not been recommended
- Routine maintenance, general wear & tear and installation faults
- Rubber seals, removable glass and/or plastic parts, fuses or light bulbs which all need replacing periodically
- Second-hand or reconditioned appliances
- Appliances used for commercial or professional purposes

This guarantee does not in any way affect your statutory legal rights

| Energy Efficiency Information | | | |
|--|--------------|-----------|-------------------|
| Attribute | Symbol | Value | Units |
| Model Identification | | P2110XBSS | |
| Annual Energy Consumption | AEC_{Hood} | 26.3 | kWh |
| Time Increase factor | f | 1.7 | |
| Fluid Dynamic Efficiency | FDE_{Hood} | 8.5 | |
| Energy Efficiency Index | EEl_{Hood} | 68.8 (B) | |
| Measured Airflow at Best Efficiency Point | Q_{BEP} | 95.1 | m ³ /h |
| Measured Pressure at Best Efficiency Point | P_{BEP} | 121 | Pa |
| Maximum Airflow | Q_{MAX} | 186.1 | m ³ /h |
| Measured Electric Power at Best Efficiency Point | W_{BEP} | 37.7 | W |
| Nominal Lighting Power | WL | 4.0 | W |
| Average Illumination of the lighting system on the cooking surface | E_{Middle} | 108 | Lux |
| Measured Power Consumption in standby | P_s | -- | W |
| Measured Power Consumption off mode | P_o | 0.0 | W |
| Noise level | L_{WA} | 65 | dB(A) |
| Grease Filter Efficiency | GFE_{Hood} | 67.1 (D) | % |
| Lamp Efficiency | LE_{Hood} | 27 (B) | % |

E & O E. All instructions, dimensions and illustrations are provided for guidance only. PowerPoint reserve the right to change specifications without prior notice.



PowerPoint

