



PowerPoint

P21561XBSS

Extractors

Installation, use and maintenance

Important

The manufacturer cannot be held responsible for injuries or losses caused by incorrect use or installation of this product. Please note that the manufacturer reserves the right to invalidate the guarantee supplied with this product following incorrect installation or misuse of the appliance or use in a commercial environment.

This appliance is not designed to be used by people (including children) with reduced physical, sensorial or mental capacity, or who lack experience or knowledge about it, unless they have had supervision or instructions on how to use the appliance by someone who is responsible for their safety.

Under no circumstances should any external covers be removed for servicing or maintenance except by suitably qualified personnel.

Appliance information:

Please enter the details on the appliance rating plate below for reference, to assist Customer Care in the event of a fault with your appliance and to register your appliance for guarantee purposes.

Appliance Model


Serial Number

CE Declarations of Conformity:

This appliance has been manufactured to the strictest standards and complies with all applicable legislation, including Gas safety, Electrical safety (LVD) and Electromagnetic interference compatibility (EMC).

IMPORTANT INFORMATION FOR CORRECT DISPOSAL OF THE PRODUCT IN ACCORDANCE WITH EC DIRECTIVE 2002/96/EC.

At the end of its working life, the product must be taken to a special local authority waste collection centre or to a dealer providing appliance recycling services. Disposing of a household appliance separately avoids possible negative consequences for the environment and health. It also enables the constituent materials to be recovered, saving both energy and resources.

As a reminder of the need to dispose of household appliances separately, the product is marked with a crossed-out wheeled dustbin. 

Please note:

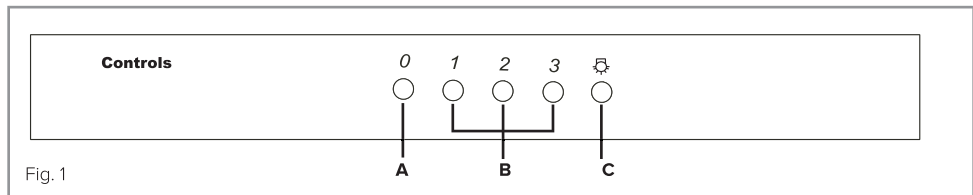
- Under no circumstances should the extractor be connected to any gas ventilation system, flue system or hot air ducting system.
- Do not vent the extractor into an attic or loft space.
- Only house the extractor in rooms with adequate ventilation. Remember that the extractor is powerful and whatever air is extracted needs to be replaced.
- Do not tile the extractor in. It should be removable for service or maintenance.
- Do not use silicone sealant to secure the hood to the wall.
- You must be able to isolate the extractor from the mains electrical supply after installation.
- Steam cleaners must not be used when cleaning this appliance.
- The performance of your extractor will vary depending on a number of factors. These include: type of extraction, length of ducting, room volume, ventilation available and cleanliness of the filters.

Using your Extractor

For best performance, you should switch on the extractor 15 minutes before starting to cook and leave it to run for approximately 15 minutes after the end of cooking.

Control Panel

- A – Power off button
- B – Speed level buttons
- C – Light button



To switch the extractor light on or off

- Press button C.

To switch on the extractor or change the motor speed at any time when the extractor is running

- Press the relevant speed button (B) for the first, second or third speed as required.

To switch the extractor off

- Press button A.

Care and Maintenance

IMPORTANT : DO NOT PERFORM MAINTENANCE OR CLEANING OF THE EXTRACTOR WITHOUT FIRST SWITCHING OFF THE ELECTRICITY SUPPLY.

Cleaning

You should use a nonabrasive cleaner. Any abrasive cleaner (including Cif) will scratch the surface and could erase the control panel markings.

You can clean your extractor effectively by simply using a dilute solution of water and mild detergent and drying to a shine with a clean cloth.

Cleaning the grease filter

The grease filter should be kept clean to minimise the risk of fire.

At least once a month you should remove and clean the grease filter with hot soapy water. You can also wash the grease filter in a dishwasher, ensuring that you place it in an upright position to prevent damage from other items in the dishwasher. After rinsing and drying, replace the filter.

To remove the grease filter, push in the button on the handle and then pull down on the filter at the front. When you have released it at the front, then you can pull out the filter. To replace the grease filter, repeat the steps in reverse.

Please note:

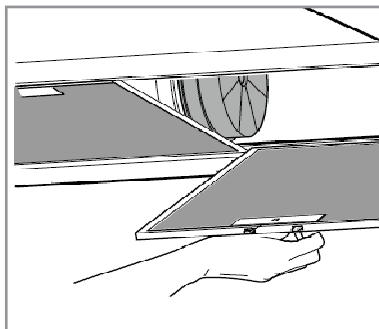
Cleaning the grease filter in the dishwasher may lead to discolouration. This is normal and does not constitute a fault with the appliance.

Changing the charcoal filter (re-circulating only)

To ensure best performance of your extractor, you should replace the charcoal filter every four to six months, depending on use.

To attach a new charcoal filter, first remove the grease filters as described above.

Insert the charcoal filter into the guide on the side of the motor, then slide the filter in until it locks into place. Repeat with the second filter on the opposite side. Finally replace the grease filters.



Charcoal filter installation

Care and Maintenance

IMPORTANT: DO NOT ATTEMPT TO MAINTAIN OR CLEAN THE EXTRACTOR WITHOUT FIRST SWITCHING OFF THE ELECTRICITY SUPPLY.

In re-circulating mode, air is vented back into the kitchen through the opening in the cooker hood.

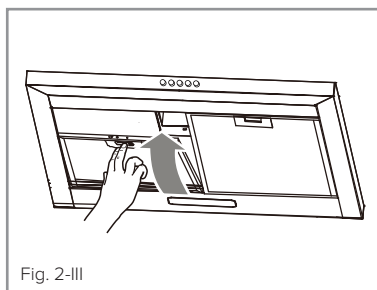
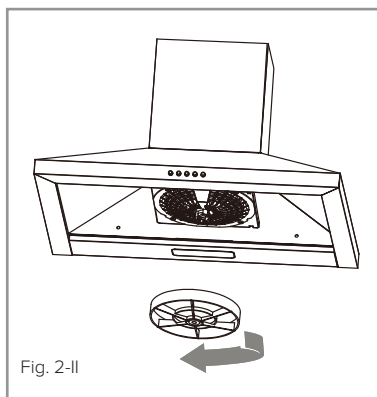
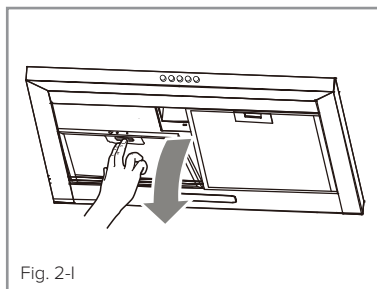
This method is advised if you are not using your hob intensively.

Re-circulated air requires the use of charcoal filters to remove odours.

To ensure the best performance from your cooker hood, the charcoal filter should be replaced every 3-6 months, dependent on use.

Check with your local retailer or dealer for information on how to obtain replacement charcoal filters.

Note: This charcoal filter is non-washable and must be replaced as required. To install a new charcoal filter, first remove the grease filter, as shown in Fig.2-I. Then install the charcoal filter as shown in Fig.2-II and replace the grease filter (Fig.2-III).



Changing the Light

DO NOT CHANGE THE LIGHT BULB IMMEDIATELY AFTER USE AS THE BULB WILL BE HOT. ALLOW IT TO COOL BEFORE REMOVING IT.

Remove the grease filters. Unscrew the light bulb and replace with the required light bulb as shown in the table below. Finally replace the grease filters.

Do not touch bulbs or adjacent areas during or straight after prolonged use of the lights.

The light is designed for use during cooking and not for general room illumination. Extended use of the light can reduce the life span of the bulb.

Bulb replacement is not covered by the guarantee.

Only use bulbs recommended for your extractor. Do not fit bulbs of a higher power rating.

Bulbs of a lower power rating may be adequate for use, generally last longer and use less energy.

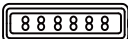
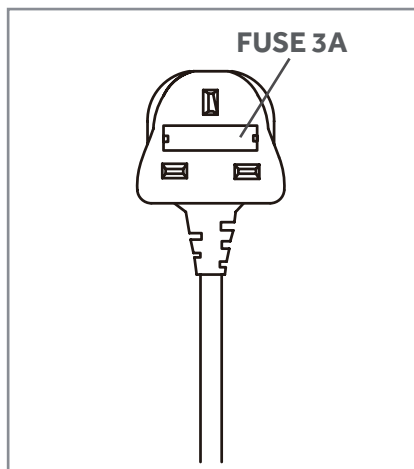
P21561XBSS	1X1.5W LED MAX 
-------------------	--

Table 1

PROTECTION LINE

3A Fuse is installed inside the plug to protection line.



Electrical Information

Mains electrical voltage: 230-240V ac, 50Hz

Total rated power consumption:

26.5W

Troubleshooting

If your extractor is not working:

1. Check that the mains supply has not been switched off.
2. Check that the fuse in the spur has not blown.



GUARANTEE

Your new product is guaranteed against defects in materials and/or workmanship. Any parts found to be defective will be repaired or replaced at our discretion. All repairs must be carried out by an authorised Repair Agent. Your extractor comes with a 5 years Parts 2 years Labour Guarantee.

THIS GUARANTEE IS VALID PROVIDING THAT :

- The appliance has been installed by a suitably qualified person
- Installation has been carried out in accordance with instructions and current legislation
- Proof of purchase can be produced
- The appliance has been used for domestic purposes only
- The appliance has not been tampered with or repair attempted or modified by any unauthorised person

THIS GUARANTEE DOES NOT COVER :

- Damage by misuse, neglect or transit
- Use of parts that have not been recommended
- Routine maintenance, general wear & tear and installation faults
- Rubber seals, removable glass and/or plastic parts, fuses or light bulbs which all need replacing periodically
- Second-hand or reconditioned appliances
- Appliances used for commercial or professional purposes

This guarantee does not in any way affect your statutory legal rights.

Mounting your Extractor

When the extractor is to be installed above an electric hob, the minimum distance between the hob and extractor must exceed 600mm (650mm is recommended).

When the extractor is to be installed above a gas hob, the minimum distance between the hob and extractor must exceed 700mm (750mm is recommended).

If the instructions provided with your gas hob state that the required distance between the hob and extractor must be greater than 700mm, then that is the distance that should be observed; this is a legal requirement and may lead to your hob being disconnected from the gas supply and the installation being reported to RIDDOR (The height should be measured from the top of the burners).

IN THE ABSENCE OF ANY INSTRUCTIONS SUPPLIED WITH THE GAS HOB, THE MINIMUM DISTANCE BETWEEN THE HOB AND EXTRACTOR MUST BE AT LEAST 760mm.

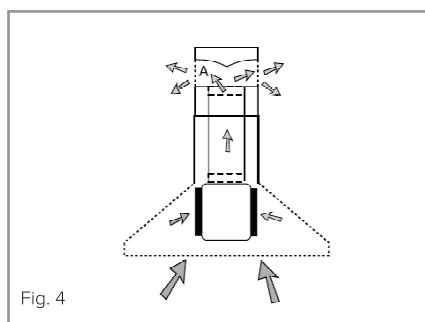
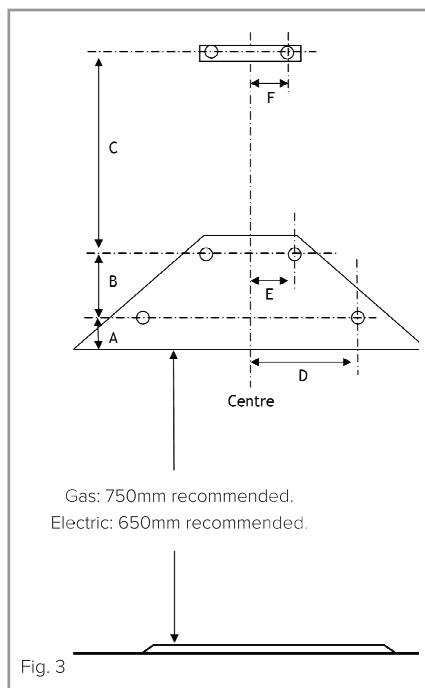
The width of any hob must not be greater than the width of the extractor installed above it. Fig. 3

Ducting and Ventilation

For best performance and lowest noise output, we recommend the use of 125mm ducting. You can also use 100mm ducting but this will reduce performance and affect the noise level.

	P21561XBSS
A	60.5
B	120.5
C*	Height dependent
D	175
E	75
F	80

* The actual height of C depends on the height of the ceiling and the position of the hob.



INSTALLATION

Tools required

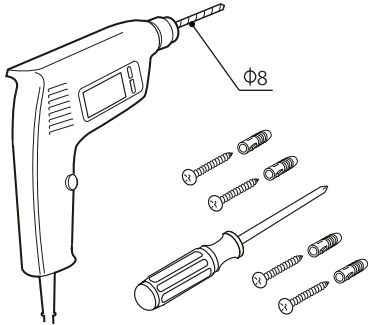


Fig. 5

Mark wall as required (see Fig.3)

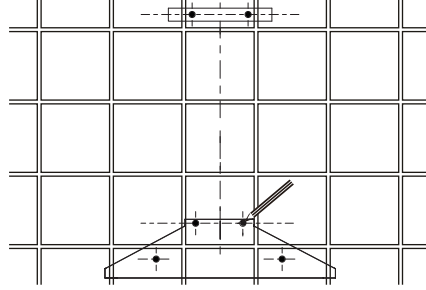


Fig. 6

Drill 4 holes for mounting the body

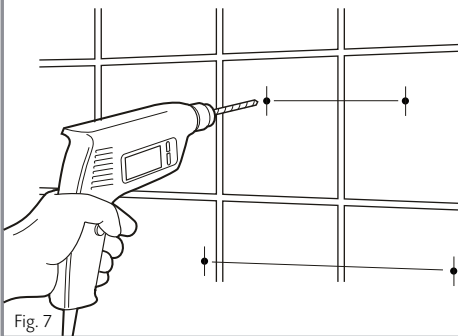


Fig. 7

Fit wall fixings and top screws - Ensure that any fixings you use are appropriate for the wall type.

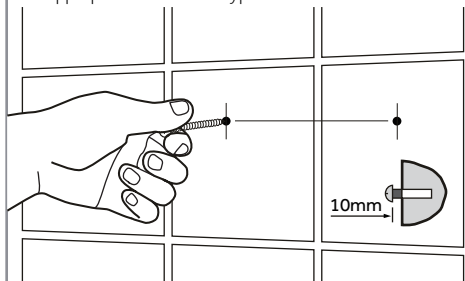


Fig. 8

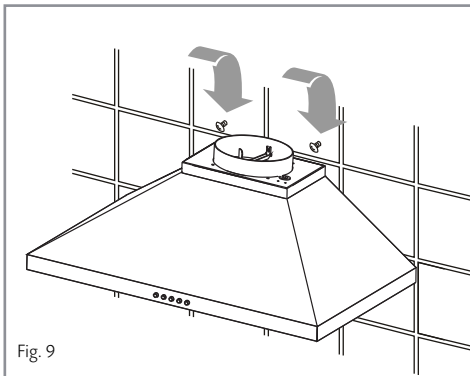


Fig. 9

Mount chimney brackets.

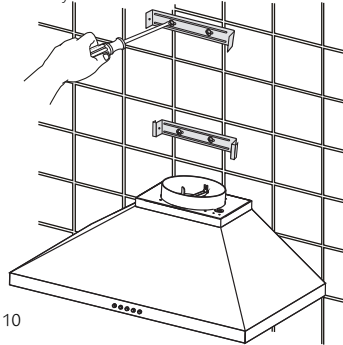


Fig. 10

IMPORTANT SAFETY WARNING: ONLY USE THE SCREWS PROVIDED WITH THE EXTRACTOR TO MOUNT THE DUCTING ADAPTOR. THE USE OF LONGER SCREWS MAY CAUSE DAMAGE TO THE INTERNAL WIRING WHICH WILL NOT BE COVERED BY THE WARRANTY.

Fix ducting (seal joint)

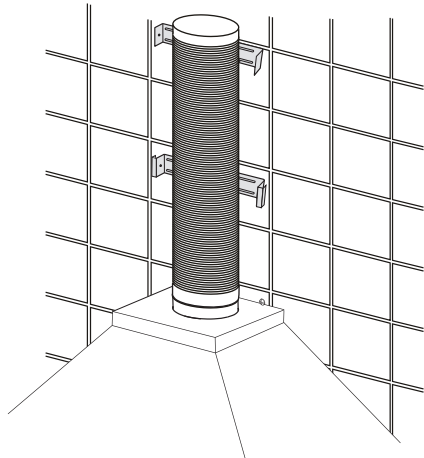


Fig. 11

Mount the chimney

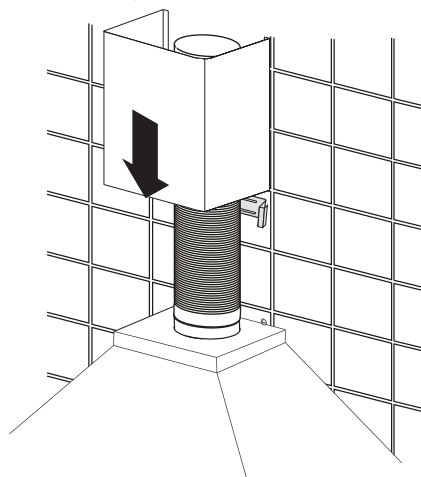


Fig. 12

Adjust and secure the chimney

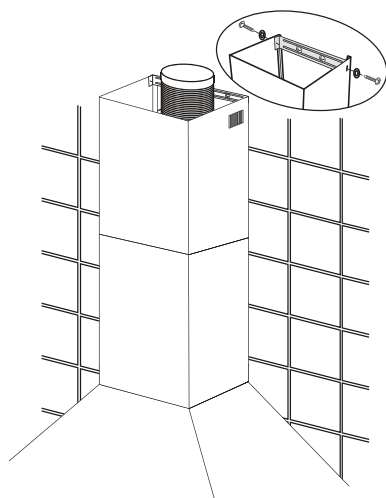


Fig. 13

Adjust and secure the chimney

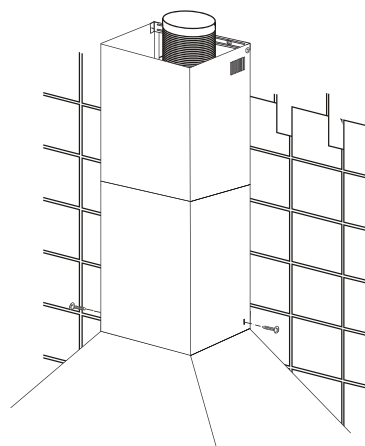


Fig. 14

The metal casing of this appliance has been coated with a preservative to protect it during transport and storage. This should be removed during installation by using a non-abrasive stainless steel cleaner. Always follow the instructions given with the cleaner being used.

Energy Efficiency Information			
Attribute	Symbol	Value	Units
Model Identification		P21561XBSS	
Annual Energy Consumption	AEC_{Hood}	15.1	kWh
Time Increase factor	f	1.7	
Fluid Dynamic Efficiency	FDE_{Hood}	8.7	
Energy Efficiency Index	EEl_{Hood}	52.8	
Measured Airflow at Best Efficiency Point	Q_{BEP}	181.9	m ³ /h
Measured Pressure at Best Efficiency Point	P_{BEP}	39	Pa
Maximum Airflow	Q_{MAX}	285.1	m ³ /h
Measured Electric Power at Best Efficiency Point	W_{BEP}	22.6	W
Nominal Lighting Power	WL	1.5	W
Average Illumination of the lighting system on the cooking surface	E_{Middle}	74	Lux
Measured Power Consumption in standby	P_s	--	W
Measured Power Consumption off mode	P_o	0.0	W
Noise level	L_{WA}	52	dBA
Grease Filter Efficiency	GFE_{Hood}	57.8 (E)	%
Lamp Efficiency	LE_{Hood}	49 (A)	%

E & O E. All instructions, dimensions and illustrations are provided for guidance only. PowerPoint reserve the right to change specifications without prior notice.



PowerPoint

