

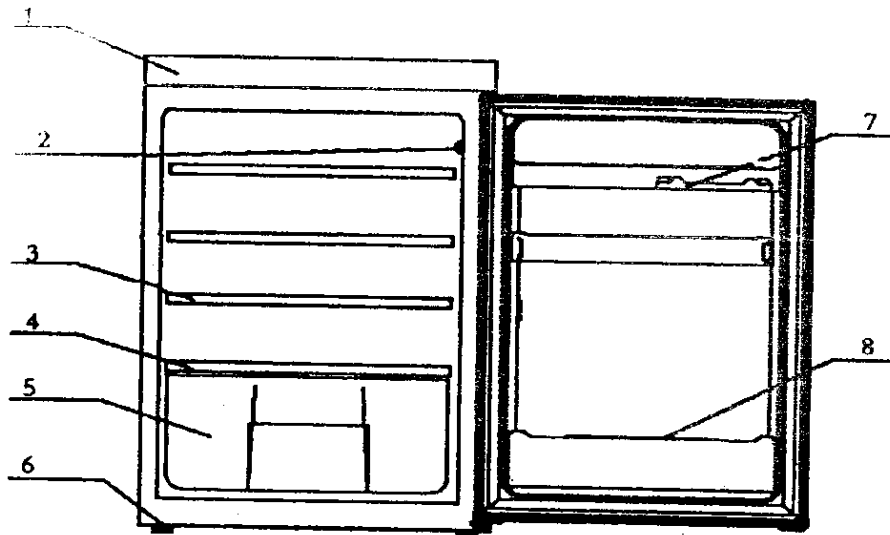
# ***PowerPoint***

Instruction Booklet

SINGLE DOOR LARDER

P455LMWH

This product was supplied by Shomar Ltd Dublin. If you have any questions regarding your appliance please contact us by visiting our website [www.shomar.ie](http://www.shomar.ie) or call Dublin 01-4505327.



- |                       |                        |
|-----------------------|------------------------|
| 1. Upper Cover        | 2. Thermostat          |
| 3. Refrigerator Shelf | 4. Salad Crisper Cover |
| 5. Salad Crisper      | 6. Adjustable Foot     |
| 7. Egg Tray           | 8. Bottle Rack         |

### Transportation and Handling

When transporting, NEVER TILT TO MORE THAN hold the base and lift the refrigerator carefully with the tilted angle more than 45 degree. Never hold the door handle as support. Never place it upside down or horizontal or get it extruded. Push refrigerator about by making its two hind roller feet as axis and then tilting it slightly during moving indoors.

**THIS PRODUCT IS FOR DOMESTIC USE ONLY**

### Installation

1. Install the refrigerator at a place with a flat, firm ground directly. In order to prevent vibration and noise.
2. Choose a well-ventilated place. A space of no less than 10cm must be left around the refrigerator.
3. Choose a location where there is no heat source. Keep the refrigerator away from direct sunlight and oven etc.

4. Choose a dry and well-ventilated place where there is no corrosive air.

### **Testing**

1. Clean the parts of the refrigerator with lukewarm water containing a detergent and with clear water, and wipe them dry.

**Notes: Electric parts of the refrigerator can only be wiped by dry cloth.**

1. Turn the thermostat knob to the "3" position and plug fridge into outlet, the compressor and the light inside the refrigerator will start to run.

2. Close the door, after 30 mins the temperature will have decreased obviously, it shows that the refrigerator system works.

3. If the above steps are successful, the trial operation is finish. The refrigerator is ready for use

### **Temperature Control**

1. The thermostat located in the sidewall of the refrigerator compartment controls the temperature in the refrigerator

2. Turn the thermostat knob to right to increase the temperature.

3 Set the temperature selector to 3 positions for normal use

### **Food Storage**

#### **1. How to Use the Refrigerator Compartment**

\*Cooked /fresh foods may be stored in your refrigerator. Hot foods must first be allowed to reach room temperature before storage

Eggs and Bottle's should be stored on the shelves provided on the door

\*Other food such as MEAT, FISH AND suchlike, Should be covered to prevent lose of moisture and odors to prevent this it is advised to wrap such foods in suitable Aluminum foil or polythene bags or airtight containers

#### **2. Placement of Food**

It is advisable to store cooked food on top shelves and fresh food on the lower shelves to prevent cross contamination.

### **Defrosting**

1. The refrigerator defrosts automatically.

#### Notes:

- \*The appliance should only be used indoors and should not be exposed to rain or moisture
- \*Do not store flammable Liquids in the refrigerator.
- \*Don't Place heavy object onto of the refrigerator.
- \*Connect only to suitable grounded socket with voltage between 220/240 volts.
- \*After the power failure don not plug in your appliance for 15 min
- \*Ensure all packaging is removed to maintain ventilation
- \*Keep electrical cable away from all sources of heat / high temperature
- \*To Maintain efficiency keep door opening to a minimum.
- \*It is not recommended to use any extension cords.
- \*Keep ventilation openings Clear of obstructions.
- \*Warning-Do not damages the refrigerant circuit.
- \*Warning-Do not use electrical appliances inside the food storage of the appliance unless they are of the type recommended by the manufacturer.
- \*At the end of the appliance useful life dispose of the product according with local regulations.

The appliance must be positioned so that the plug is accessible.  
If the supply cord is damaged, the manufacturer or its service agent or a similarly qualified person must replace it in order to avoid a hazard.  
Do not use mechanical devices or other means to accelerate the defrosting process.

#### **General Instructions for Care and Maintenance**

The refrigerator should be cleaned as required  
Before Cleaning Remove the plug from the power supply  
Wipe the inside and outside of refrigerator with a damp soft cloth, a soft cloth with a mild detergent may also be used if required.

If you are going away on holiday or for any other reason, wish to leave the refrigerator idle for any period of time, proceed as follows:

- \*Disconnect the refrigerator from the electric power supply by removing the plug from the wall socket.
- \*Remove all food.

- \*Clean and dry the inside as instructed in the direction given above for cleaning.
- \*Leave the doors open to prevent any unpleasant smells from building up while the refrigerator is not used.

### **Cleaning:**

- \*When cleaning the refrigerator the electric plug must be removed from the power supply.
- \*Use water and a non-abrasive detergent.
- \*Clean with a soft cloth soaked in this solution and remove moisture with a dry cloth.
- \*Remember to clear the defrost drain situated at the back just above the glass cover.

### **Replacing the light bulb**

Should the light fail, switch off at the socket outlet and pull out the mains plug. Then ensure the bulb is screwed securely in the bulb holder. Replace the plug and switch on. If the light still fails, obtain a replacement E14 screw-cap type 15 Watt (Max) bulb from your local electrical store and then fit it carefully dispose of Burnt out light bulb in accordance with local regulations.

### **Working Defects and Failures**

#### **Symptom:**

**Appliance will not work at all.**

#### **Cause:**

The power supply plug is not inserted in the wall socket or the plug and the outlet is loose.

To test the supply socket a Lamp or small electrical appliance may be used to check socket is working.

#### **Symptom:**

**Noisy running.**

#### **Cause:**

The appliance has not been properly leveled.

The refrigerator contact with the wall.

The accessories in the refrigerator are placed wrong position.

#### **Symptom:**

Appliance does not cool sufficiently.

**Cause:**

- Door has been opened too often, or it has been left open for a while.
- The refrigerator is too near to the wall.
- Too much food in the refrigerator.
- Incorrect temperature selection
- Ambient Temperature too low less than 10 degrees Celsius

**Symptom:**

**Smell inside the appliance.**

**Cause:**

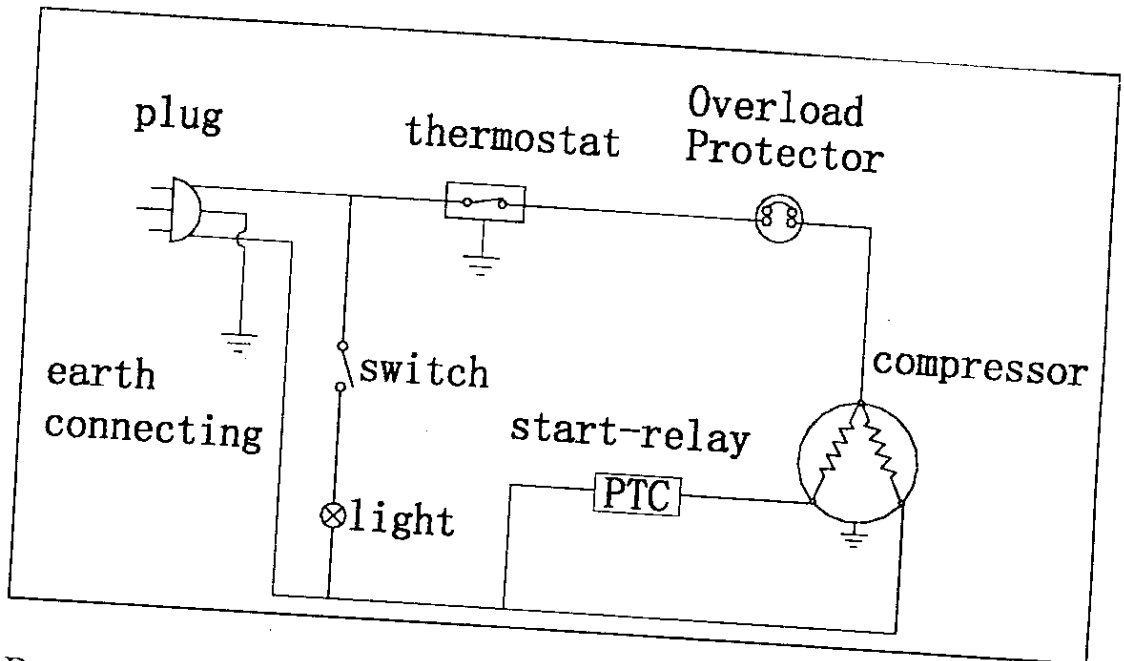
- Some of the food is not properly wrapped or covered.
- The inside of the refrigerator needs cleaning; Liquids such as milk have been spilled in the fridge.

If after checking all of the above and the problem persists you can contact Shomar Service Department.

**The Following are normal**

- 1.Refrigerant running in pipes gives a gentle sound of water running in pipes.
- 2.In high humidity the outer surface of the refrigerator may be covered with condensation that should simply be wiped away.
- 3.The compressor and the rear condenser will become very hot and should not be touched.

## Diagram of Circuit Principles



Due to product's changing and improving, the diagram above may not be apply to your model.

This appliance is intended to be used in household and similar applications such as

- staff kitchen areas in shops, offices and other working environments;
- farm houses and by clients in hotels, motels and other residential type environments;
- bed and breakfast type environments;
- catering and similar non-retail applications.