




***PowerPoint***

Microwave Oven

INSTRUCTION MANUAL

MODEL: P22925INTSS

Read these instructions carefully before using your microwave oven, and keep it carefully.

If you follow the instructions, your oven will provide you with many years of good service. 

SAVE THESE INSTRUCTIONS CAREFULLY

# PRECAUTIONS TO AVOID POSSIBLE EXPOSURE TO EXCESSIVE MICROWAVE ENERGY

(a) Do not attempt to operate this oven with the door open since this can result in harmful exposure to microwave energy. It is important not to break or tamper with the safety interlocks.

(b) Do not place any object between the oven front face and the door or allow soil or cleaner residue to accumulate on sealing surfaces.

(c) WARNING: If the door or door seals are damaged, the oven must not be operated until it has been repaired by a competent person.

## ADDENDUM

If the apparatus is not maintained in a good state of cleanliness, its surface could be degraded and affect the lifespan of the apparatus and lead to a dangerous situation.

## Specifications

Model:	P22925INTSS
Rated Voltage:	230V~50Hz
Rated Input Power(Microwave):	1450W
Rated Output Power(Microwave):	900W
Oven Capacity:	25L
Turntable Diameter:	Ø315mm
External Dimensions:	595x400x388mm
Net Weight:	Approx. 18.5kg

# **IMPORTANT SAFETY INSTRUCTIONS**

## **WARNING**

To reduce the risk of fire, electric shock, injury to persons or exposure to excessive microwave oven energy when using your appliance, follow basic precautions, including the following:

1. Read and follow the specific: "PRECAUTIONS TO AVOID POSSIBLE EXPOSURE TO EXCESSIVE MICROWAVE ENERGY".
2. This appliance can be used by children aged from 8 years and above and persons with reduced physical, sensory or mental capabilities or lack of experience and knowledge if they have been given supervision or instruction concerning use of the appliance in a safe way and understand the hazards involved. Children shall not play with the appliance. Cleaning and user maintenance shall not be made by children unless they are older than 8 and supervised. Children less than 8 years of age shall be kept away unless continuously supervised.
3. Keep the appliance and its cord out of reach of children less than 8 years.
4. If the supply cord is damaged, it must be replaced by the manufacturer, its service agent or similarly qualified persons in order to avoid a hazard. ( For appliance with type Y attachment)

5. WARNING: Ensure that the appliance is switched off before replacing the lamp to avoid the possibility of electric shock.
6. WARNING: It is hazardous for anyone other than a competent person to carry out any service or repair operation that involves the removal of a cover which gives protection against exposure to microwave energy.
7. WARNING: Liquids and other foods must not be heated in sealed containers since they are liable to explode.
8. When heating food in plastic or paper containers, keep an eye on the oven due to the possibility of ignition.
9. Only use utensils that are suitable for use in microwave ovens.
10. If smoke is emitted, switch off or unplug the appliance and keep the door closed in order to stifle any flames.
11. Microwave heating of beverages can result in delayed eruptive boiling, therefore care must be taken when handling the container.
12. The contents of feeding bottles and baby food jars shall be stirred or shaken and the temperature checked before consumption, in order to avoid burns.
13. Eggs in their shell and whole hard-boiled eggs should not be heated in microwave ovens since they may explode, even after microwave heating has ended.
14. The oven should be cleaned regularly and any food deposits removed.
15. Failure to maintain the oven in a clean condition could lead to deterioration of the surface that could

adversely affect the life of the appliance and possibly result in a hazardous situation.

16. The appliance must not be installed behind a decorative door in order to avoid overheating. (This is not applicable for appliances with decorative door.)

17. Only use the temperature probe recommended for this oven. (for ovens provided with a facility to use a temperature-sensing probe.)

18. The microwave oven shall not be placed in a cabinet unless it has been tested in a cabinet.

19. The microwave oven must be operated with the decorative door open. (for ovens with a decorative door.)

20. This appliance is intended to be used in household and similar applications such as:

- staff kitchen areas in shops, offices and other working environments;

- by clients in hotels, motels and other residential type environments;

- farm houses;

- bed and breakfast type environments.

21. The microwave oven is intended for heating food and beverages. Drying of food or clothing and heating of warming pads, slippers, sponges, damp cloth and similar may lead to risk of injury, ignition or fire.

22. Metallic containers for food and beverages are not allowed during microwave cooking.

23. The appliance shall not be cleaned with a steam cleaner.

24. The appliance is intended to be used freestanding.

25.The rear surface of appliances shall be placed against a wall.

**READ CAREFULLY AND KEEP FOR FUTURE REFERENCE**

# To Reduce the Risk of Injury to Persons Grounding Installation

## **DANGER**

Electric Shock Hazard  
Touching some of the internal components can cause serious personal injury or death. Do not disassemble this appliance.

## **WARNING**

Electric Shock Hazard  
Improper use of the grounding can result in electric shock. Do not plug into an outlet until appliance is properly installed and grounded.

This appliance must be grounded. In the event of an electrical short circuit, grounding reduces the risk of electric shock by providing an escape wire for the electric current. This appliance is equipped with a cord having a grounding wire with a grounding plug. The plug must be plugged into an outlet that is properly installed and grounded.

Consult a qualified electrician or serviceman if the grounding instructions are not completely understood or if doubt exists as to whether the appliance is properly grounded. If it is necessary to use an extension cord, use only a 3-wire extension cord.

1. A short power-supply cord is provided to reduce the risks resulting from becoming entangled in or tripping over a longer cord.
2. If a long cord set or extension cord is used:
  - 1)The marked electrical rating of the cord set or extension cord should be at least as great as the electrical rating of the appliance.
  - 2)The extension cord must be a grounding-type 3-wire cord.
  - 3)The long cord should be arranged so that it will not drape over the counter top or tabletop where it can be pulled on by children or tripped over unintentionally.

# CLEANING

Be sure to unplug the appliance from the power supply.

1. Clean the cavity of the oven after using with a slightly damp cloth.
2. Clean the accessories in the usual way in soapy water.
3. The door frame and seal and neighbouring parts must be cleaned carefully with a damp cloth when they are dirty.
4. Do not use harsh abrasive cleaners or sharp metal scrapers to clean the oven door glass since they can scratch the surface, which may result in shattering of the glass.
5. Cleaning Tip---For easier cleaning of the cavity walls that the food cooked can touch: Place half a lemon in a bowl, add 300ml (1/2 pint) water and heat on 100% microwave power for 10 minutes. Wipe the oven clean using a soft, dry cloth.

# UTENSILS

## CAUTION

### Personal Injury Hazard

It is hazardous for anyone other than a competent person to carry out any service or repair operation that involves the removal of a cover which gives protection against exposure to microwave energy.

See the instructions on "Materials you can use in microwave oven or to be avoided in microwave oven."

There may be certain non-metallic utensils that are not safe to use for microwaving. If in doubt, you can test the utensil in question following the procedure below.

Utensil Test:

1. Fill a microwave-safe container with 1 cup of cold water (250ml) along with the utensil in question.
2. Cook on maximum power for 1 minute.
3. Carefully feel the utensil. If the empty utensil is warm, do not use it for microwave cooking.
4. Do not exceed 1 minute cooking time.



## Materials you can use in microwave oven

Utensils	Remarks
Browning dish	Follow manufacturer's instructions. The bottom of browning dish must be at least 3/16 inch (5mm) above the turntable. Incorrect usage may cause the turntable to break.
Dinnerware	Microwave-safe only. Follow manufacturer's instructions. Do not use cracked or chipped dishes.
Glass jars	Always remove lid. Use only to heat food until just warm. Most glass jars are not heat resistant and may break.
Glassware	Heat-resistant oven glassware only. Make sure there is no metallic trim. Do not use cracked or chipped dishes.
Oven cooking bags	Follow manufacturer's instructions. Do not close with metal tie. Make slits to allow steam to escape.
Paper plates and cups	Use for short-term cooking/warming only. Do not leave oven unattended while cooking.
Paper towels	Use to cover food for reheating and absorbing fat. Use with supervision for a short-term cooking only.
Parchment paper	Use as a cover to prevent splattering or a wrap for steaming.
Plastic	Microwave-safe only. Follow the manufacturer's instructions. Should be labeled "Microwave Safe". Some plastic containers soften, as the food inside gets hot. "Boiling bags" and tightly closed plastic bags should be slit, pierced or vented as directed by package.
Plastic wrap	Microwave-safe only. Use to cover food during cooking to retain moisture. Do not allow plastic wrap to touch food.
Thermometers	Microwave-safe only (meat and candy thermometers).
Wax paper	Use as a cover to prevent splattering and retain moisture.

## Materials to be avoided in microwave oven

Utensils	Remarks
Aluminum tray	May cause arcing. Transfer food into microwave-safe dish.
Food carton with metal handle	May cause arcing. Transfer food into microwave-safe dish.
Metal or metal-trimmed utensils	Metal shields the food from microwave energy. Metal trim may cause arcing.
Metal twist ties	May cause arcing and could cause a fire in the oven.
Paper bags	May cause a fire in the oven.
Plastic foam	Plastic foam may melt or contaminate the liquid inside when exposed to high temperature.
Wood	Wood will dry out when used in the microwave oven and may split or crack.

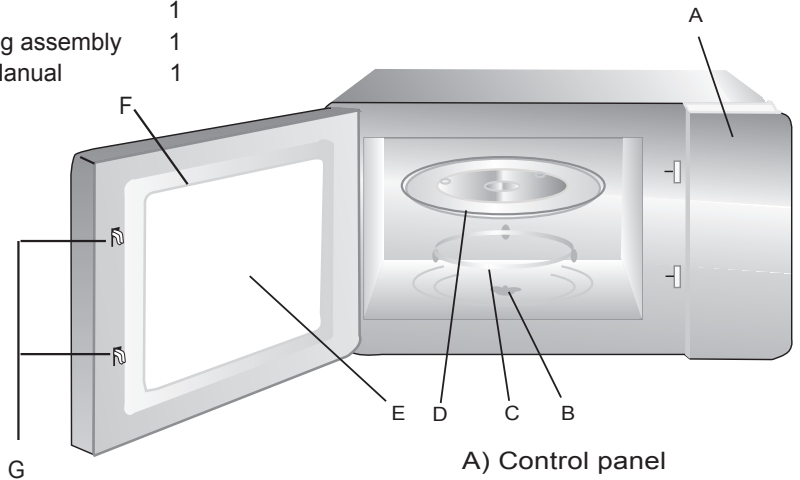
# SETTING UP YOUR OVEN

## Names of Oven Parts and Accessories

Remove the oven and all materials from the carton and oven cavity.

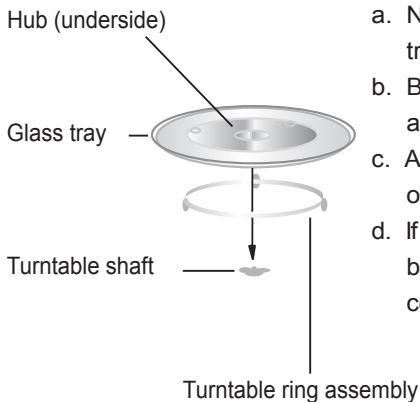
Your oven comes with the following accessories:

Glass tray	1
Turntable ring assembly	1
Instruction Manual	1



- A) Control panel
- B) Turntable shaft
- C) Turntable ring assembly
- D) Glass tray
- E) Observation window
- F) Door assembly
- G) Safety interlock system

## Turntable Installation



- a. Never place the glass tray upside down. The glass tray should never be restricted.
- b. Both glass tray and turntable ring assembly must always be used during cooking.
- c. All food and containers of food are always placed on the glass tray for cooking.
- d. If glass tray or turntable ring assembly cracks or breaks, contact your nearest authorized service center.

## Installation and connection

- 1.This appliance is only intended for domestic use.
- 2.This oven is intended for built-in use only. It is not intended for counter-top use or for use inside a cupboard.
3. Please observe the special installation instructions.
- 4.The appliance can be installed in a 60cm wide wall-mounted cupboard.
- 5.The appliance is fitted with a plug and must only be connected to a properly installed earthed socket.
- 6.The mains voltage must correspond to the voltage specified on the rating plate.
- 7.The socket must be installed and connecting cable must only be replaced by a qualified electrician. If the plug is no longer to accessible following installation, an all-pole disconnecting device must be present on the installation side with a contact gap of at least 3mm.
- 8.Adapters, multi-way strips and extension leads must not be used. Overloading can result in a risk of fire.

**The accessible surface may be hot during operation.**



# Installation Instructions

Please Read the Manual Carefully Before Installation

## Please note

### Electrical connection

The oven is fitted with a plug and must only be connected to a properly installed earthed socket. The socket must only be installed and the connecting cable must only be replaced by a qualified electrician, and in accordance with the appropriate regulations. If the plug is no longer accessible following installation, an all-pole isolating switch must be present on the installation side with a contact gap of at least 3 mm.

The fitted cabinet must not have a back wall behind the appliance.

A gap must be maintained between the wall and the base of the unit above.

Specific gap size could be referenced by the diagrams.

Minimum installation height: 85 cm.

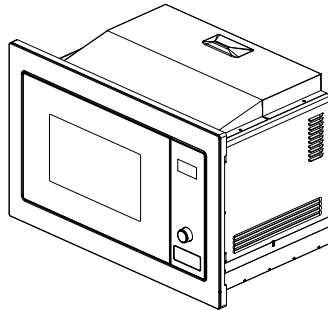
Do not cover ventilation slots and suction holes.

### Note:

Do not trap or bend the power cable.

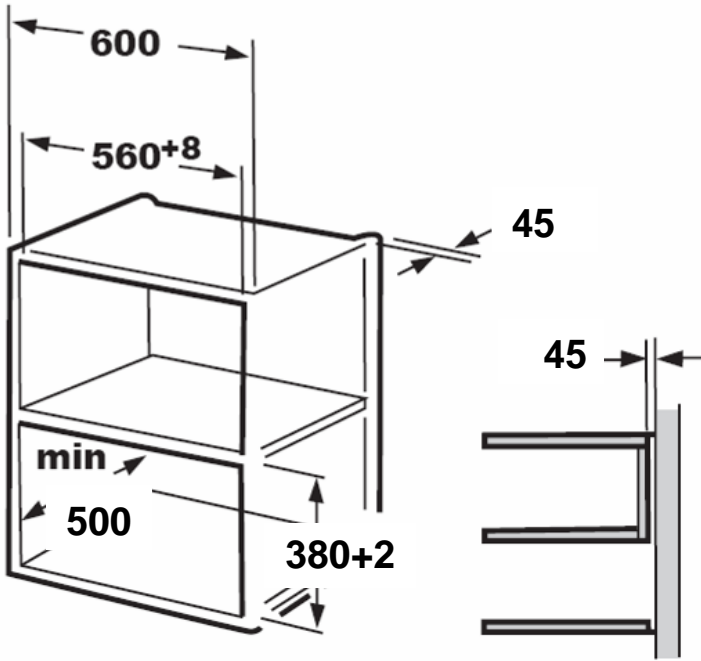
 Screw

 Mounting Plate

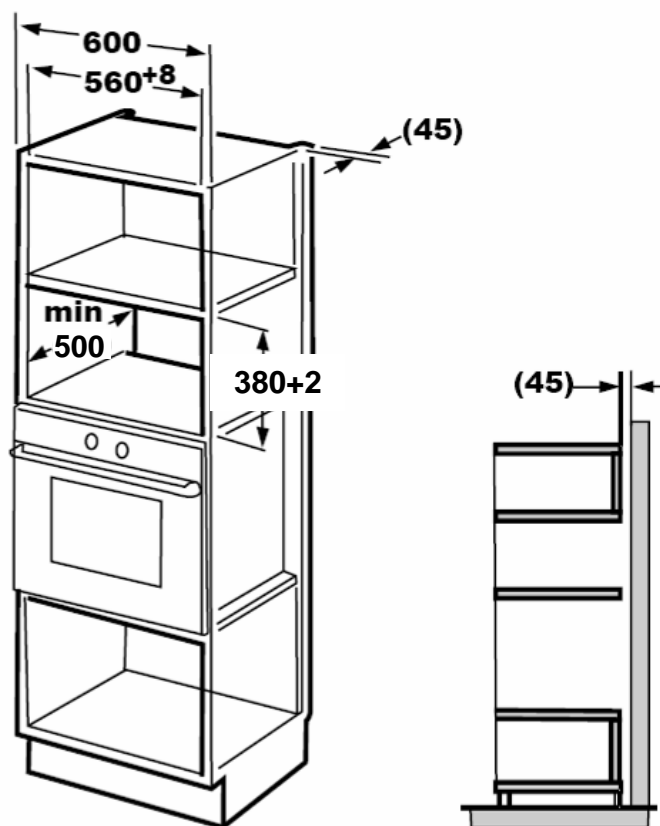


# A. Built-in furniture

1.



2.

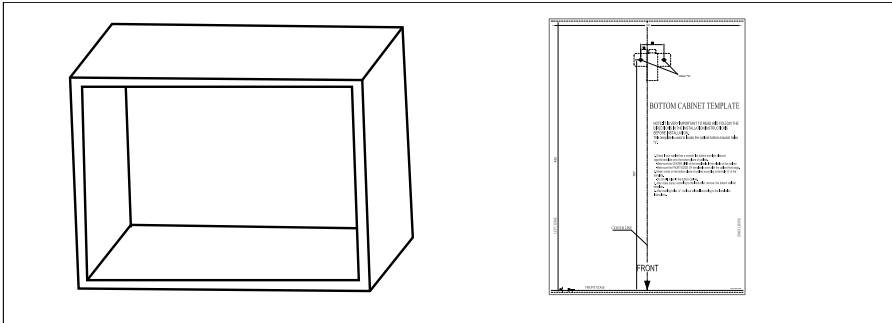


Note:

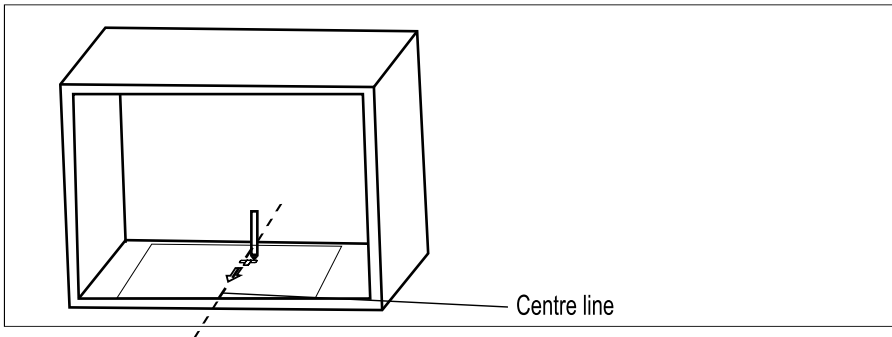
The mounting plate and bottom cabinet template are needed when installing in both installations.

## B.Prepare the cabinet

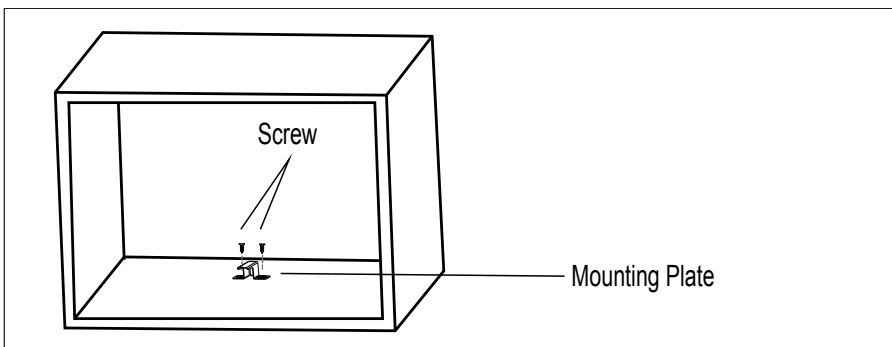
1. Read the instruction on the BOTTOM CABINET TEMPLATE , put the template on the bottom plane of cabinet.



2. Make the marks on the bottom plane of cabinet according to marks "a" of the template



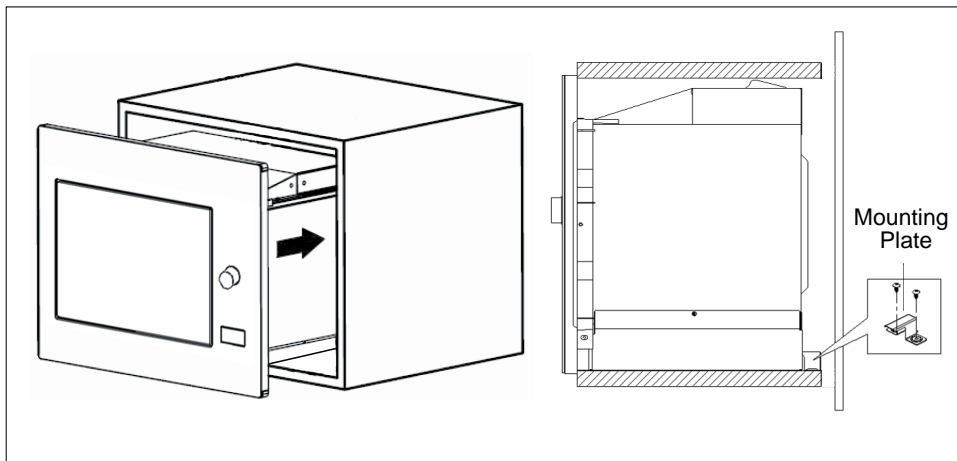
3. Remove the bottom cabinet template and fix the mounting plate with screw.



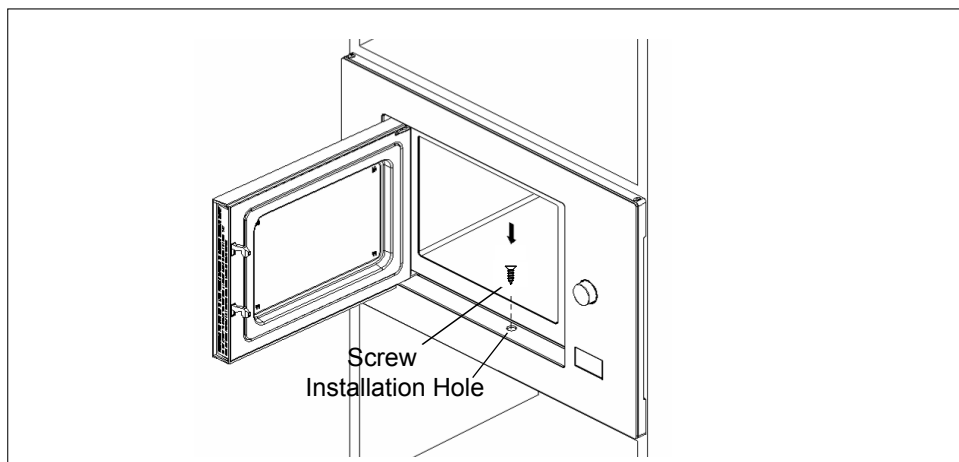
## C. Install the oven

### 4. Install the oven to the cabinet

- Make sure the back of the oven is locked by mounting plate .
- Do not trap or kink the power cord.



### 5. Open the door, fix the oven to the cabinet with Screw , at the installation hole.






# OPERATION INSTRUCTION

This microwave oven uses modern electronic control to adjust cooking parameters to meet your needs better for cooking.


## 1. Clock Setting

When the microwave oven is electrified, the oven will display "0:00", buzzer will ring once.

(1) Press " **CLOCK/PRE-SET** ", the hour figure flash;

(2) Turn "  " to adjust the hour figures, the input time should be within 0--23 .

(3) Press " **CLOCK/PRE-SET** ", the minute figures will flash.



(4) Turn "  " to adjust the minute figures, the input time should be within 0--59.

(5) Press " **CLOCK/PRE-SET** " to finish clock setting. ":" will light.

Note: (1) If the clock is not set, it would not function when powered.


(2) During the process of clock setting, if "**CLOCK/PRE-SET**" is not pressed, or if there is no operation in 1 minute, the oven will go back to the previous status automatically.

## 2. Microwave Cooking


Press " **Microwave** " the screen will display "P100". Press " **Microwave** " repeatedly or turn "  " to choose the power you want, and "P100", "P80" "P50", "P30 " or "P10" will display for each added press. Then press " **START/+30SEC./CONFIRM** " to confirm, and turn "  " to set cooking time from 0:05 to 95:00. Press " **START/+30SEC./CONFIRM** " again to start cooking.

Example: If you want to use 80% microwave power to cook for 20 minutes, you can operate the oven as the following steps.

(1) Press " **Microwave** " once, the screen display "P100".

(2) Press " **Microwave** " once again or turn "  " to choose 80% microwave power.

(3) Press " **START/+30SEC./CONFIRM** " to confirm, and the screen displays "P 80".

(4) Turn "  " to adjust the cooking time until the oven displays "20:00".

(5) Press " **START/+30SEC./CONFIRM** " to start cooking .


Note: the step quantities for the adjustment time of the coding switch are as follow:

- 0---1 min : 5 seconds
- 1---5 min : 10 seconds
- 5---10 min : 30 seconds
- 10---30 min : 1 minute
- 30---95 min : 5 minutes


#### "Microwave" Pad instructions

Order	Display	Microwave Power
1	P100	100%
2	P80	80%
3	P50	50%
4	P30	30%
5	P10	10%


### 3. Quick Start

- (1) In waiting state, Press " **START/+30SEC./CONFIRM** " to start cooking with 100% power, each added press will increase 30 seconds cooking time up to 95 minutes.
- (2) In microwave cooking or time defrost state, each press of " **START/+30SEC./CONFIRM** " can increase 30 seconds of cooking time.
- (3) In waiting state, turn "  " anti-clockwise to set cooking time with 100% microwave power. After choosing the cooking time, then press " **START/+30SEC./CONFIRM** " to start cooking.


### 4. Defrost By Weight

- (1) Press " **Defrost By W.T./Time** " once, and the oven will display "dEF1".
- (2) Turn "  " to select the weight of food from 100 to 2000 g.
- (3) Press " **START/+30SEC./CONFIRM** " to start defrosting.





## 5. Defrost By Time

- (1) Press " **Defrost By W.T./Time** " twice, and the oven will display "dEF2".
- (2) Turn "  " to select the defrost time. The MAX.time is 95 minutes.
- (3) Press " **START/+30SEC./CONFIRM** " to start defrosting.  
The defrost power is P30 and cannot be changed.

## 6. Auto Reheat

- (1) Press " **Auto Reheat** " once, and the screen will display "200".
- (2) Press " **Auto Reheat** " more times or turn "  " to choose the weight of food, and "400" or "600" g will be selected.
- (3) Press " **START/+30SEC./CONFIRM** " to start cooking.

## 7. Auto Menu

- (1) Turn "  " right to choose the menu, and "A-1" to "A-8" will display.
- (2) Press " **START/+30SEC./CONFIRM** " to confirm.
- (3) Turn "  " to choose the default weight as the menu chart.
- (4) Press " **START/+30SEC./CONFIRM** " to start cooking.  
Example: If you want to use "Auto Menu" to cook fish for 350g.
  - (1) Turn "  " clockwise till "A-5" display.
  - (2) Press " **START/+30SEC./CONFIRM** " to confirm.
  - (3) Turn "  " to select the weight of fish till "350" display.
  - (4) Press " **START/+30SEC./CONFIRM** " to start cooking.

The menu chart:

Menu	Weight	Display
A-1 Pizza	200 g	200
	400 g	400
A-2 Chicken pieces	200 g	200
	400 g	400
	600 g	600
	800 g	800
A-3 Meat	250 g	250
	350 g	350
	450 g	450
A-4 Vegetable	200 g	200
	300 g	300
	400 g	400
A-5 Fish	250 g	250
	350 g	350
	450 g	450
A-6 Pasta	50g(with 450g cold water)	50
	100g(with 800g cold water)	100
A-7 Soup	200g	200
	400g	400
A-8 Porridge	550g	550
	1100g	1100

## 8. Program set in Advance


(1) Set the clock first. (Consult the instruction of clock setting.)

(2) Input the cooking program. Two stages can be set at most.


Defrost should not be set as the cooking program.

Example: If you want to cook with 80% microwave power for 7 minutes, operate it as the following:

a. Press " **Microwave** " once, the screen display "P100".

b. Press " **Microwave** " once again or turn "  " to choose 80% microwave power.

c. Press " **START/+30SEC./CONFIRM** " to confirm, and the screen displays "P 80".

d. Turn "  " to adjust the cooking time till the oven displays "7:00".

After the aboved steps, be careful not to press "START/+30SEC./CONFIRM" to start cooking.

(3) Press " **CLOCK/PRE-SET** ", the hour figures will flash.

(4) Turn "  " to adjust the hour figures, the input time should be within 0--23.

(5) Press " **CLOCK/PRE-SET** ", the minute figures will flash .

(6) Turn "  " to adjust the minute figures, the input time should be within 0--59.

(7) Press " **START/+30SEC./CONFIRM** " to finish setting. If the door is closed, buzzer will ring twice when the time arrives, then cooking will start automatically.


Note: Clock must be set first. Otherwise, pre-set function will not work.

## 9. Multi-section cooking



At most 2 sections can be set for cooking. In multi-section cooking, if one section is defrosting, then defrosting shall be placed in the first section automatically.

Example: If you want to defrost food for 5 minutes and then cook with 80% microwave power for 7 minutes, operate it as the following:

(1) Press " **Defrost By W.T./Time** " twice, and the oven will display "dEF2".

(2) Turn "  " to select the defrost time till "5:00" display.

(3) Press " **Microwave** " once, the screen display "P100".

- (4) Press " Microwave " once again or turn "  " to choose 80% microwave power.
- (5) Press " **START/+30SEC./CONFIRM** " to confirm, and the screen displays "P 80".
- (6) Turn "  " to adjust the cooking time till the oven displays "7:00".
- (7) Press " **START/+30SEC./CONFIRM** " to start cooking, and buzzer will sound once for the first section, defrosting time counts down; buzzer will sound once again entering the second cooking. when cooking finish, buzzer sounds five times.

## 10. Inquiring Function

- (1) In state of microwave cooking, press " Microwave ", the current power will be displayed for 3 seconds. After 3 seconds, the oven will turn back to the former state;
- (2) In cooking state, press " **CLOCK/PRE-SET** " to inquire the time and the time will display for 3 seconds.
- (3) In preset state, press " **CLOCK/PRE-SET** " to inquire the preset time, and the preset time will display for 3 seconds.

## 11. Lock-out Function for Children

Lock: In waiting state, press " **STOP/CLEAR** " for 3 seconds, there will be a long beep denoting entering the children-lock state and the locked indicator will display if the time has been set, otherwise, the screen will display " **⏸** ".

Lock quitting: In locked state, press " **STOP/CLEAR** " for 3 seconds, there will be a long "beep" denoting that the lock is released.

## 12. COOKING END REMINDING FUNCTION

When the cooking is over, the buzzer will sound 5 "beep" to alert user the cooking is finished.

## 13. OTHER SPECIFICATIONS

- (1) The buzzer will sound once when turning the knob at the beginning;
- (2) "**START/+30SEC./CONFIRM**" must be pressed to continue cooking if the door is opened during cooking;
- (3) Once the cooking programme has been set, "**START/+30SEC./CONFIRM**" is not pressed in 1 minute, the current time will be displayed. The setting will be cancelled.
- (4) The buzzer sounds once by efficient press, inefficient press will be no response.

# Trouble shooting

Normal	
Microwave oven interfering TV reception	Radio and TV reception may be interfered when microwave oven operating. It is similar to the interference of small electrical appliances, like mixer, vacuum cleaner, and electric fan. It is normal.
Dim oven light	In low power microwave cooking, oven light may become dim. It is normal.
Steam accumulating on door, hot air out of vents	In cooking, steam may come out of food. Most will get out from vents. But some may accumulate on cool place like oven door. It is normal.
Oven started accidentally with no food in.	It is forbidden to run the unit without any food inside. It is very dangerous.

Trouble	Possible Cause	Remedy
Oven can not be started.	(1) Power cord not plugged in tightly.	Unplug. Then plug again after 10 seconds.
	(2) Fuse blowing or circuit breaker works.	Replace fuse or reset circuit breaker (repaired by professional personnel of our company)
	(3) Trouble with outlet.	Test outlet with other electrical appliances.
Oven does not heat.	(4) Door not closed well.	Close door well.



According to Waste of Electrical and Electronic Equipment (WEEE) directive, WEEE should be separately collected and treated. If at any time in future you need to dispose of this product please do NOT dispose of this product with household waste. Please send this product to WEEE collecting points where available.

## **Registering Your 2 Year Guarantee**

Your standard one year guarantee is extended for an additional 1 year when you register the product within 28 days of purchase with the supplier Shomar Ltd. If you do not register the product with Shomar Ltd within 28 days, your product is guaranteed for 1 year. To validate your 2 year guarantee register with us by visiting our website [www.shomar.ie](http://www.shomar.ie)

### **One Year Guarantee**

It is important to retain the retailer's receipt as proof of purchase. Staple your receipt to this back cover for future reference. Please quote the following information if the product develops a fault. These numbers can be found on the product.

Model no.

Serial no.

Subject to the exclusions set out below (see Exclusions), the faulty appliance will then be repaired or replaced. If for any reason, this item is replaced during the guarantee period, the guarantee on the new item will be calculated from original purchase date. Therefore it is vital to retain your original till receipt or invoice to indicate the date of initial purchase. To qualify for the 1 year guarantee, the appliance must have been used according to the instructions supplied.

### **Exclusions**

Shomar Ltd shall not be liable to replace or repair the goods under the terms of the guarantee where:

1. The fault has been caused or is attributable to accidental use, misuse, negligent use or used contrary to the manufacturer's recommendations or where the fault has been caused by power surges or damage caused in transit.
2. The appliance has been used on a voltage supply other than that stamped on the products.
3. Repairs have been attempted by persons other than our service staff.
4. The appliance has been used for hire purposes or non-domestic use.
5. The appliance is second hand.

This guarantee does not confer any rights other than those expressly set out above and does not cover any claims for consequential loss or damage. This guarantee is offered as an additional benefit and does not affect your statutory rights as a consumer.

This guarantee is valid in Ireland only.

Thor products are intended for household use only. See usage limitations within the location safety instructions.

Shomar Ltd has a policy of continuous improvement in product quality and design. The company, therefore reserves the right to change the specification of its models at any time.

The After Sales Division for Thor Appliances is located at the offices of the Brand owner and Distributor –

Shomar Ltd, Unit 9 Western Industrial Estate, Dublin 12, Republic Of Ireland.

Helplines (office hours) & Spare Parts contact number is 01-450 5327 or email [service@shomar.ie](mailto:service@shomar.ie)