



PowerPoint

P2161XBIN

Extractors

Installation, use and maintenance

Important

The manufacturer cannot be held responsible for injuries or losses caused by incorrect use or installation of this product. Please note that the manufacturer reserves the right to invalidate the guarantee supplied with this product following incorrect installation or misuse of the appliance or use in a commercial environment.

This appliance is not designed to be used by people (including children) with reduced physical, sensorial or mental capacity, or who lack experience or knowledge about it, unless they have had supervision or instructions on how to use the appliance by someone who is responsible for their safety.

Under no circumstances should any external covers be removed for servicing or maintenance except by suitably qualified personnel.

Appliance information:

Please enter the details on the appliance rating plate below for reference, to assist PowerPoint Customer Care in the event of a fault with your appliance and to register your appliance for guarantee purposes.

Appliance Model	<input type="text"/>
-----------------	----------------------


Serial Number	<input type="text"/>
---------------	----------------------

CE Declarations of Conformity:

This appliance has been manufactured to the strictest standards and complies with all applicable legislation, including Gas safety, Electrical safety (LVD) and Electromagnetic interference compatibility (EMC).

IMPORTANT INFORMATION FOR CORRECT DISPOSAL OF THE PRODUCT IN ACCORDANCE WITH EC DIRECTIVE 2002/96/EC.

At the end of its working life, the product must be taken to a special local authority waste collection centre or to a dealer providing appliance recycling services.

Disposing of a household appliance separately avoids possible negative consequences for the environment and health. It also enables the constituent materials to be recovered, saving both energy and resources. As a reminder of the need to dispose of household appliances separately, the product is marked with a crossed-out wheeled dustbin. 

Please note:

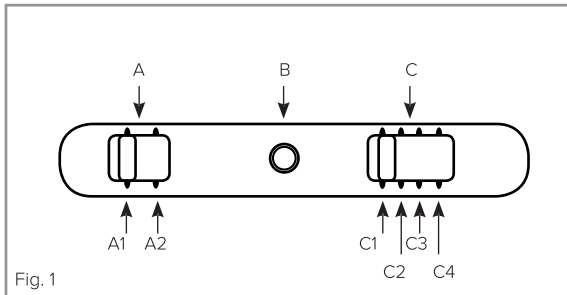
- Under no circumstances should the extractor be connected to any gas ventilation system, flue system or hot air ducting system.
- Do not vent the extractor into an attic or loft space.
- Only house the extractor in rooms with adequate ventilation. Remember that the extractor is powerful and whatever air is extracted needs to be replaced.
- Do not tile the extractor in. It should be removable for service or maintenance.
- Do not use silicone sealant to secure the hood to the wall.
- You must be able to isolate the extractor from the mains electrical supply after installation.
- This extractor has been designed to be used in a room with a volume of less than 36 m³.
- Steam cleaners must not be used when cleaning this appliance.
- The performance of your extractor will vary depending on a number of factors. These include: type of extraction, length of ducting, room volume, ventilation available and cleanliness of the filters.

Using your Extractor

For best performance, you should switch on the extractor 15 minutes before starting to cook and leave it to run for approximately 15 minutes after the end of cooking.

Control Panel

- A – Light switch
- B – Power indicator light
- C – Power switch



To switch the extractor light on or off

- Slide the light switch to position A1 for off, or A2 for on.

To switch on the extractor, or change the motor speed

- Slide the power switch to the position required dependent on the speed you require.

To switch the extractor off

- Slide the power switch to position C1 for off.



Care and Maintenance

IMPORTANT : DO NOT PERFORM MAINTENANCE OR CLEANING OF THE EXTRACTOR WITHOUT FIRST SWITCHING OFF THE ELECTRICITY SUPPLY.

Cleaning

You should use a nonabrasive cleaner. Any abrasive cleaner (including Cif) will scratch the surface and could erase the control panel markings.

You can clean your extractor effectively by simply using a dilute solution of water and mild detergent and drying to a shine with a clean cloth.

Cleaning the (rectangular) grease filter

The grease filter captures grease particles in the air, so is therefore subject to clogging depending on the frequency of use of the appliance.

In order to prevent fire hazard it is recommended to clean the grease filter at a maximum of 2 month intervals by carrying out these instructions:

Depending on model, you may have either acrylic or aluminium grease filter(s).

Acrylic grease filter:

1. Remove the cover panel by pushing the fixing clips up and then lifting the panel forwards.
2. Remove the filter retaining wires from the cover panel.
3. Remove the grease filter and wash by hand in a lukewarm solution of water and mild detergent. Once clean squeeze the grease filter but DO NOT wring it out. Clean the filter holder using a dilute solution of water and mild detergent or with a damp cloth. Allow the grease filter to dry completely before reassembling the extractor.
4. Replace the grease filter in the cover panel and reattach the filter retaining wires.
5. Replace the cover panel by inserting the lugs on the upper side in the extractor, and then refasten the fixing clips on the lower side.

Aluminium grease filters:

1. Remove the filters from the cooker hood and wash in a solution of warm water and neutral liquid detergent, leaving to soak.
2. Rinse thoroughly with warm water and leave to dry.
3. The filters may alternatively be washed in the dishwasher. The aluminium panels may alter in colour after several washes in a dishwasher. This is not a fault and is not cause for replacing the panels.



Changing the (circular) charcoal filter (re-circulating only):

To ensure best performance of your extractor, you should replace the charcoal filters every four to six months, depending on use.

Please note the charcoal filter cannot be washed.

To attach a new charcoal filter, follow the steps below:

1. Remove the cover panel (acrylic filter model) or grease filter (aluminium filter model) as described above.
2. Place the charcoal filter on the centre of the motor support, and once firmly located turn the charcoal filter clockwise 90° until the charcoal filter locks into position.
3. Replace the cover panel or grease filter that has been removed.

Changing the Light

DO NOT CHANGE THE LIGHT BULB IMMEDIATELY AFTER USE AS THE BULB WILL BE HOT. ALLOW IT TO COOL BEFORE REMOVING IT.

Remove the cover panel as described above, unscrew the light bulb and replace the light with the required light bulb as shown in the table below. Finally, replace the cover panel.

P2161XBIN	E14 LED 4Wx1 DR-4-H-E14-37
-----------	----------------------------

Table 1

Do not touch bulbs or adjacent areas during or straight after prolonged use of the lights.

The light is designed for use during cooking and not for general room illumination. Extended use of the light can reduce the life span of the bulb.

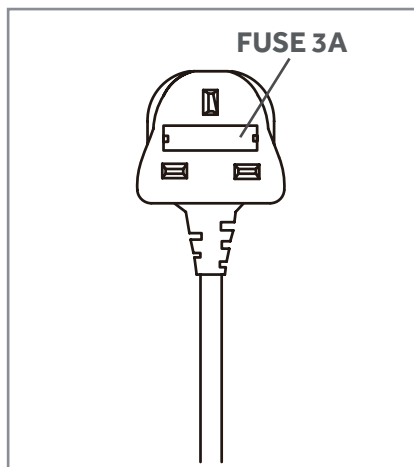
Bulb replacement is not covered by the guarantee.

Only use bulbs recommended for your extractor. Do not fit bulbs of a higher power rating. Bulbs of a lower power rating may be adequate for use, generally last longer and use less energy.

Spare bulbs are available from PowerPoint Customer Care or from your local DIY shop.

PROTECTION LINE

3A Fuse is installed inside the plug to protection line.



Electrical Information

Mains electrical voltage: 230-240V ac, 50Hz

Total rated power consumption:

49W

Troubleshooting

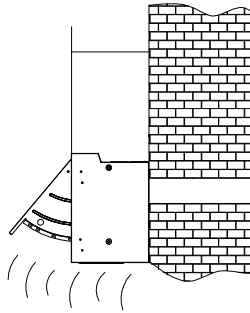
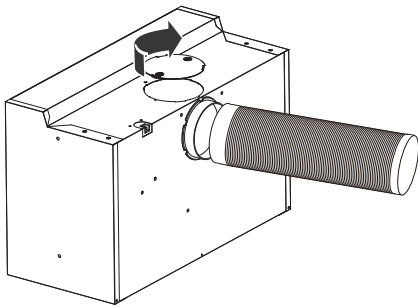
If your extractor is not working:

1. Check that the mains supply has not been switched off.
2. Check that the fuse in the spur has not blown.

Selection of outlet mode

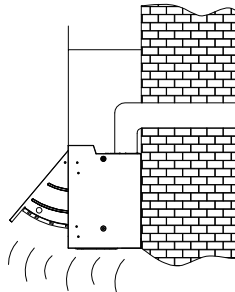
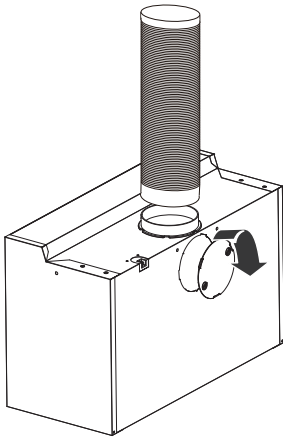
Back vent mode

1. Remove the knock-out plate from the back of the unit.
2. Do not remove the knock-out plate on top. If removed, a cover plate must be used.
3. Fit the ducting adaptor on the outlet.
4. Attach the ducting hose to the adaptor.



Top vent mode

1. Remove the knock-out plate from the top of the unit.
2. Do not remove the back knock-out plate. If removed, a cover plate must be used.
3. Fit the ducting adaptor on the outlet.
4. Attach the ducting hose to the adaptor.



Vertical installation is the most common. If your kitchen has an attic space above, the ducting may be run up through the cupboard and attic to a roof cap.

Installation

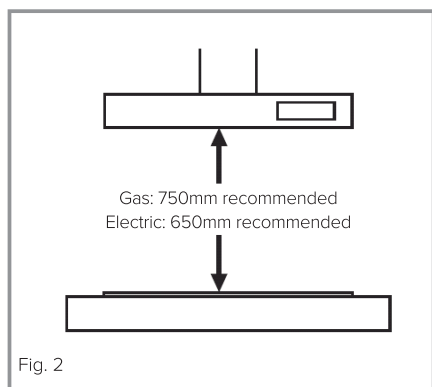
When the extractor is to be installed above an electric hob, the minimum distance between the hob and extractor must exceed 600mm (650mm is recommended).

When the extractor is to be installed above a gas hob, the minimum distance between the hob and extractor must exceed 700mm (750mm is recommended).

If the instructions provided with your gas hob state that the required distance between the hob and extractor must be greater than 700mm, then that is the distance that should be observed; this is a legal requirement and may lead to your hob being disconnected from the gas supply and the installation being reported to RIDDOR (The height should be measured from the top of the burners).

IN THE ABSENCE OF ANY INSTRUCTIONS SUPPLIED WITH THE GAS HOB, THE MINIMUM DISTANCE BETWEEN THE HOB AND EXTRACTOR MUST BE AT LEAST 760mm.

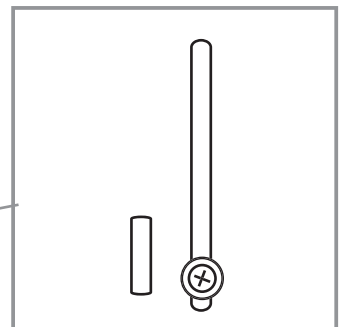
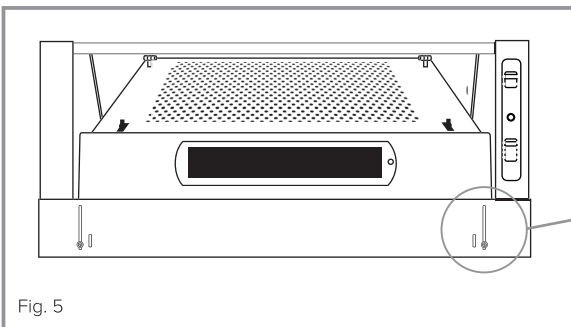
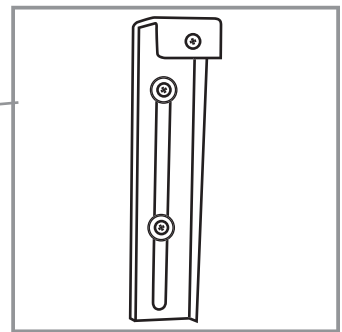
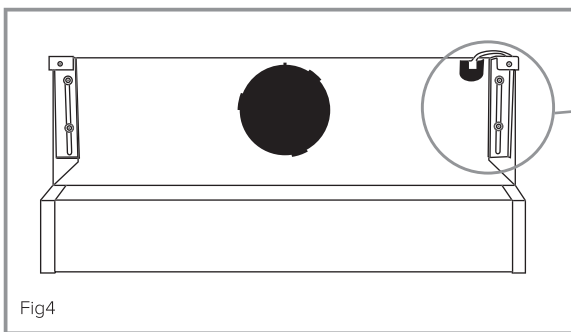
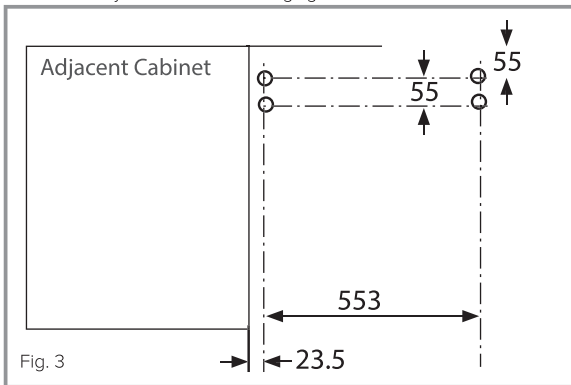
The width of any hob must not be greater than the width of the extractor installed above it.



The metal casing of this appliance has been coated with a preservative to protect it during transport and storage. This should be removed during installation by using a non-abrasive stainless steel cleaner. Always follow the instructions given with the cleaner being used.

Installation

1. Mark the positions of the fixing holes on the wall using the dimensions shown above.
2. Drill and plug the wall with appropriate fixings, suitable for the wall type you are fixing the extractor on.
3. Mount the brackets and securely tighten.
4. Hang the hood on the brackets and adjust the brackets and height to suit. The adjustment mechanism is shown below.
5. Once the hood is levelled and square against the wall, adjust the bottom panel as required.
6. Secure the extractor to the adjacent units through the holes in the side of the product, to ensure that it cannot be accidentally knocked off the hanging brackets.



Charcoal filter installation

Care and Maintenance

IMPORTANT: DO NOT ATTEMPT TO MAINTAIN OR CLEAN THE EXTRACTOR WITHOUT FIRST SWITCHING OFF THE ELECTRICITY SUPPLY.

In re-circulating mode, air is vented back into the kitchen through the opening in the cooker hood.

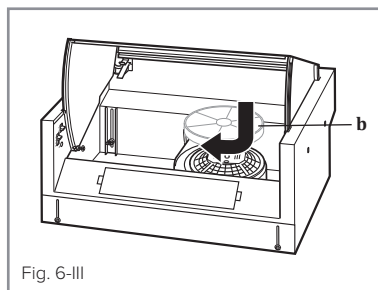
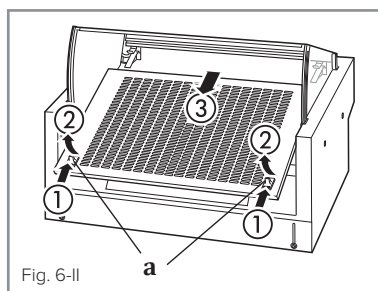
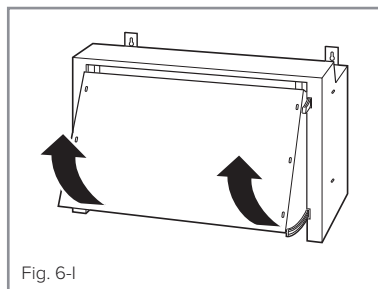
This method is advised if you are not using your hob intensively.

Re-circulated air requires the use of charcoal filters to remove odours.

To ensure the best performance from your cooker hood, the charcoal filter should be replaced every 3-6 months, dependent on use.

Check with your local retailer or dealer for information on how to obtain replacement charcoal filters.

1. Using both hands, grasp as far to the edges of the front screen as possible and carefully open it forwards (do not pull in the middle as this might bend the panel!).
2. Using both grips "a", push the filter flap upwards ①, pull it forwards ② and remove the filter flap downwards ③.
3. Install the carbon filter "b" (not in the scope of delivery) on the motor as shown and rotate 90 degrees to attach.



Energy Efficiency Information			
Attribute	Symbol	Value	Units
Model Identification		P2161XBIN	
Annual Energy Consumption	AEC_{Hood}	26.6	kWh
Time increase factor	f	1.7	
Fluid Dynamic Efficiency	FDE_{Hood}	8.6	
Energy Efficiency Index	EEL_{Hood}	69.1	
Measured airflow at Best Efficiency Point	Q_{BEP}	99.2	m^3/h
Measured Pressure at Best Efficiency Point	P_{BEP}	120	Pa
Maximum airflow	Q_{MAX}	193.2	m^3/h
Measured electric power at Best Efficiency Point	W_{BEP}	38.2	W
Nominal lighting power	WL	4	W
Average illumination of the lighting system on the cooking surface	E_{Middle}	55	Lux
Measured power consumption in standby	P_S	---	W
Measured power consumption off mode	P_O	0.0	W
Sound power level	L_{WA}	62	dBA
Grease Filter Efficiency	GFE_{Hood}	70.0 (D)	%
Lamp efficiency	LE_{Hood}	14 (D)	%

E & O E. All instructions, dimensions and illustrations are provided for guidance only. PowerPoint reserve the right to change specifications without prior notice.



PowerPoint

