



PowerPoint

P2152CH

Extractors

Installation, use and maintenance

Important

The manufacturer cannot be held responsible for injuries or losses caused by incorrect use or installation of this product. Please note that the manufacturer reserves the right to invalidate the guarantee supplied with this product following incorrect installation or misuse of the appliance or use in a commercial environment.

This appliance is not designed to be used by people (including children) with reduced physical, sensorial or mental capacity, or who lack experience or knowledge about it, unless they have had supervision or instructions on how to use the appliance by someone who is responsible for their safety.

Under no circumstances should any external covers be removed for servicing or maintenance except by suitably qualified personnel.

Appliance information:

Please enter the details on the appliance rating plate below for reference, to assist Customer Care in the event of a fault with your appliance and to register your appliance for guarantee purposes.

Appliance Model

Serial Number

CE Declarations of Conformity:

This appliance has been manufactured to the strictest standards and complies with all applicable legislation, including Gas safety, Electrical safety (LVD) and Electromagnetic interference compatibility (EMC).

IMPORTANT INFORMATION FOR CORRECT DISPOSAL OF THE PRODUCT IN ACCORDANCE WITH EC DIRECTIVE 2002/96/EC.

At the end of its working life, the product must be taken to a special local authority waste collection centre or to a dealer providing appliance recycling services. Disposing of a household appliance separately avoids possible negative consequences for the environment and health. It also enables the constituent materials to be recovered, saving both energy and resources.

As a reminder of the need to dispose of household appliances separately, the product is marked with a crossed-out wheeled dustbin.



Please note:

- Under no circumstances should the extractor be connected to any gas ventilation system, flue system or hot air ducting system.
- Do not vent the extractor into an attic or loft space.
- Only house the extractor in rooms with adequate ventilation. Remember that the extractor is powerful and whatever air is extracted needs to be replaced.
- Do not tile the extractor in. It should be removable for service or maintenance.
- Do not use silicone sealant to secure the hood to the wall.
- You must be able to isolate the extractor from the mains electrical supply after installation.
- Steam cleaners must not be used when cleaning this appliance.
- The performance of your extractor will vary depending on a number of factors. These include: type of extraction, length of ducting, room volume, ventilation available and cleanliness of the filters.



Information and Advice

CAUTION: Accessible parts may become hot when used with cooking appliances.

In certain circumstances electrical appliance may be a danger hazard.

A) There must be adequate ventilation of the room when the cooker hood is used at the same time as appliances burning gas or other fuels.

B) Do not check the status of the filters while the cooker hood is operating.

C) Do not touch the light bulb within half an hour after appliance has been used.

D) Do not light a flame under the cooker hood.

E) Avoid opening gasometer when there is no pan on the stove, as it is damaging for the filters and a fire hazard.

F) Constantly check food frying to avoid overheated oil splashing and becoming a fire hazard.

G) Disconnect the electrical plug prior to any maintenance.

H) Regulations concerning the discharge of air have to be fulfilled.

I) When the range hood and appliances supplied with energy other than electricity are simultaneously in operation, the negative pressure in the room must not exceed 4 Pa (4x10⁻⁵ bar).

J) If the supply cord is damaged, it must be replaced by the manufacturer, its service agent or similarly qualified persons in order to avoid a hazard.

K) This appliance can be used by children aged from 8 years and above and persons with reduced physical, sensory or mental capabilities or lack of experience and knowledge if they have been given supervision or instruction concerning use of the appliance in a safe way and understand the hazards involved. Children shall not play with the appliance. Cleaning and user maintenance shall not be made by children unless they are older than 8 and supervised.

L) The range hood is intended to be installed over a hob having no more than four hob elements.

M) Indoor use and household use only.

N) When the appliance is not in use and before cleaning, unplug the appliance from the outlet.

O) Attention ! Observe the warning in the instruction sheet concerning the operation of the appliance when air is discharged from the room.

P) There is a fire risk if cleaning is not carried out in accordance with the instructions.

Q) The air must not be discharged into a flue that is used for exhausting fumes from appliances burning gas or other fuels (not applicable to appliances that only discharge the air back into the room).

I) Children should be supervised to ensure that they do not play with the appliance.

S) Warning: Failure to install the screws or fixing device in accordance with these instructions may result in electrical hazards.

T) The installation height of hood shall not be less than 65cm.

U) The filter screen must be cleaned regularly, otherwise there is a danger of fire.

V) The installation must be carried out according to the screws and positions required by the instructions, which will easily damage the connecting wires.

W) If the supply cord is damaged, it must be replaced by the manufacturer, its service agent or similarly qualified persons in order to avoid a hazard.

Using your Extractor

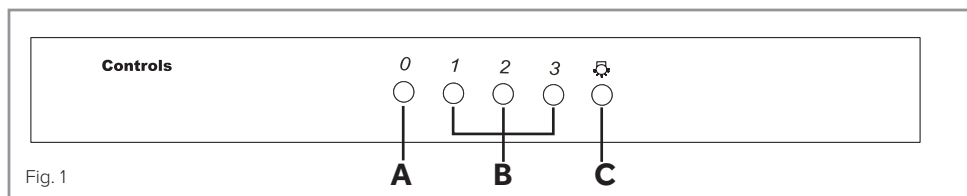
For best performance, you should switch on the extractor 15 minutes before starting to cook and leave it to run for approximately 15 minutes after the end of cooking.

Control Panel

A - Power off button

B - Speed level buttons

C - Light button



To switch the extractor light on or off

- Press button "C".

To switch on the extractor or to change the speed at any time when the extractor is running

- Press the relevant "B" button for the first, second or third speed level as required.

To switch the extractor off

- Press the "A" button.

Care and Maintenance

IMPORTANT: DO NOT PERFORM MAINTENANCE OR CLEANING OF THE EXTRACTOR WITHOUT FIRST SWITCHING OFF THE ELECTRICITY SUPPLY.

Cleaning

You should use a non-abrasive cleaner. Any abrasive cleaner (including Cif) will scratch the surface and could erase the control panel markings.

You can clean you extractor effectively by simply using a dilute solution of water and mild detergent and drying to a shine with a clean cloth.

Cleaning the grease filter

The grease filter should be kept clean to minimize the risk of fire.

At least once a month the grease filters should be removed and cleaned with warm soapy water. You can also wash the grease filters in a dishwasher, ensuring that the filters are put in an upright position to prevent damage from other items in the dishwasher. After rinsing and drying, replace the filter.

To remove the grease filter, push in the button on the handle and then pull down on the filter at the front. When you have released it at the front, then you can pull out the filter. To replace the grease filter, repeat the steps in reverse.

Please note:

Cleaning the grease filter in the dishwasher may lead to discolouration.

This is normal and does not constitute a fault with the appliance.

Please note:

The extractor must not be used without the grease filter in place.

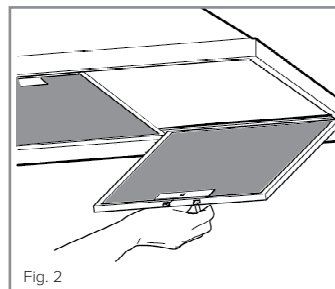


Fig. 2

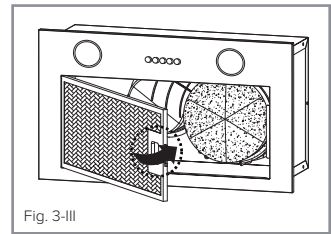
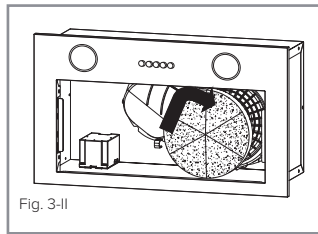
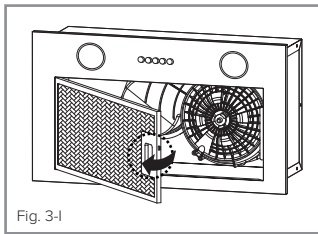
Charcoal filter

In re-circulating mode, air is vented back into the kitchen through the opening in the cooker hood.

This method is advised if you are not using your hob intensively. Re-circulated air requires the use of charcoal filters to remove odours.

To ensure the best performance from your cooker hood, the charcoal filter should be replaced every 3-6 months, dependent on use.

Note: This charcoal filter is non-washable and must be replaced as required.



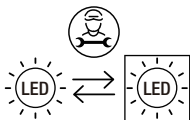
To attach a new charcoal filter, follow the steps below:

1. Remove the grease filter (fig.3-I).
2. Place the charcoal filter on the centre of the motor support. Once firmly located, turn the charcoal filter clockwise 90 degrees until the filter locks into position(fig.3-II).
3. Replace the grease filter(fig.3-III)

To order replacement charcoal filters please scan the QR code on the rating plate located behind the grease filter inside the hood.

The LED lights

In case of malfunction of the illumination system contact the technical service.



Replaceable (LED only) light source by a professional

PROTECTION LINE

5A Fuse is installed inside the plug to protection line.

Electrical Information

Mains electrical voltage: 230 – 240Vac

Total rated power consumption:

44W

Troubleshooting

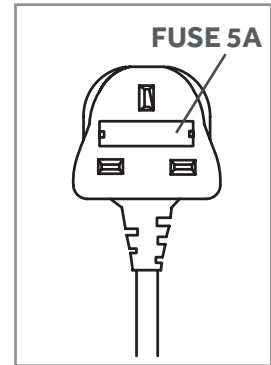
Please note:

Your extractor is equipped with a motor protection device that will switch off the motor to prevent damage from overheating. This may happen during cooking when most or all of the zones/burners are being used simultaneously, or if your extractor is installed incorrectly, lower than the recommended height.

This is normal, and the extractor will work again once the motor has cooled sufficiently.

If your extractor is not working:

1. Check that the mains supply has not been switched off.
2. Check that the fuse in the spur has not blown.





GUARANTEE

Your new product is guaranteed against defects in materials and/or workmanship. Any parts found to be defective will be repaired or replaced at our discretion. All repairs must be carried out by an authorised Repair Agent. Your extractor comes with a 1 Year Warranty. An additional 1 year extended warranty is available by registering your product here www.powerpointappliances.ie

THIS GUARANTEE IS VALID PROVIDING THAT :

- The appliance has been installed by a suitably qualified person
- Installation has been carried out in accordance with instructions and current legislation
- Proof of purchase can be produced
- The appliance has been used for domestic purposes only
- The appliance has not been tampered with or repair attempted or modified by any unauthorised person

THIS GUARANTEE DOES NOT COVER :

- Damage by misuse, neglect or transit
- Use of parts that have not been recommended
- Routine maintenance, general wear & tear and installation faults
- Rubber seals, removable glass and/or plastic parts, fuses or light bulbs which all need replacing periodically
- Second-hand or reconditioned appliances
- Appliances used for commercial or professional purposes

This guarantee does not in any way affect your statutory legal rights.

Installation

NB. This hood is supplied with a charcoal filter as standard.

If you are ducting the air outside please ensure this filter is removed before use.

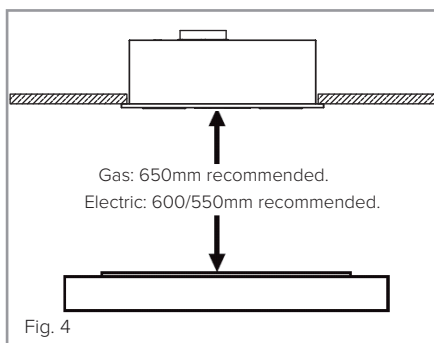
When the extractor is to be installed above an electric hob, the minimum distance between the hob and extractor must exceed 600mm for ceramic and solid plate hobs and 550mm for induction Hobs.

When the extractor is to be installed above a gas hob, the minimum distance between the hob and extractor must exceed 650mm.

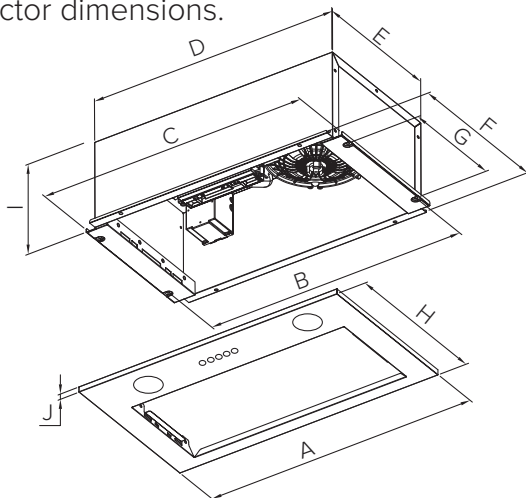
If the instructions provided with your gas hob state that the required distance between the hob and the extractor must be greater than 650mm, then that is the distance which should be observed. This is a legal requirement and may lead to your hob being disconnected from the gas supply and the installation reported to RIDDOR (the height should be measured from the top of the burners).

IN THE ABSENCE OF ANY INSTRUCTIONS SUPPLIED WITH THE GAS HOB, THE MINIMUM DISTANCE BETWEEN THE HOB AND EXTRACTOR MUST BE AT LEAST 650mm.

The width of any hob must not be greater than the width of the extractor installed above it.



Extractor dimensions.

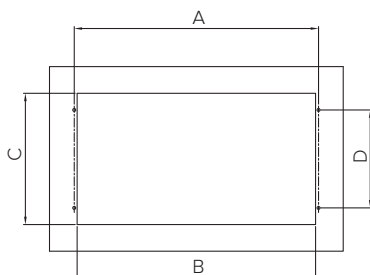


A	518
B	499
C	515
D	480
E	260
F	274
G	200
H	290
I	173
J	10

Fig. 5

INSTALLATION

Mark out the dimensions of the cut-out based on your extractor.



A	499
B	487
C	268
D	200

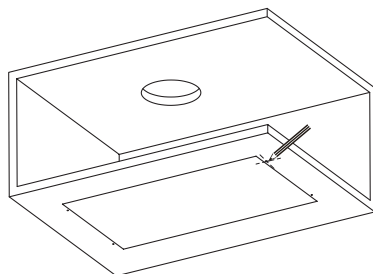


Fig. 6

INSTALLATION

NB. Ducting Kit - For best results Please use 120mm ducting. A reducer maybe required for smaller diameter ducting.

Remove the grease filter, unscrew the 4 screws of the fixed panel and remove it.

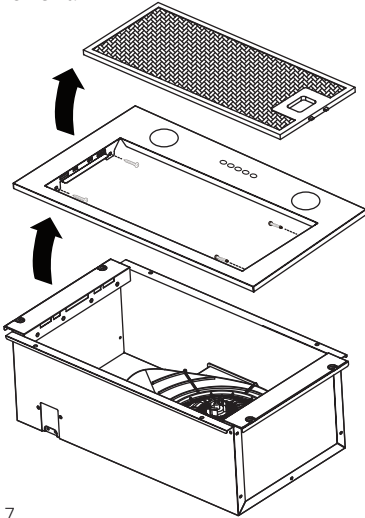


Fig. 7

Connect the exhaust pipe to the ducting adaptor and locate on the extractor as indicated.

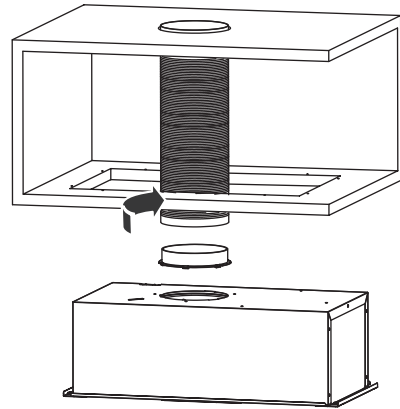


Fig. 8

Place the extractor into the cabinet opening and secure it with screws.

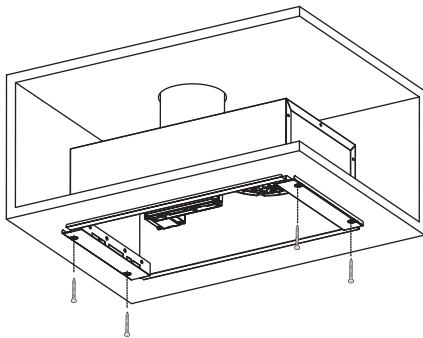


Fig. 9

Secure the panel on with the 4 previously removed screws (Fig 7) and insert the grease filter.

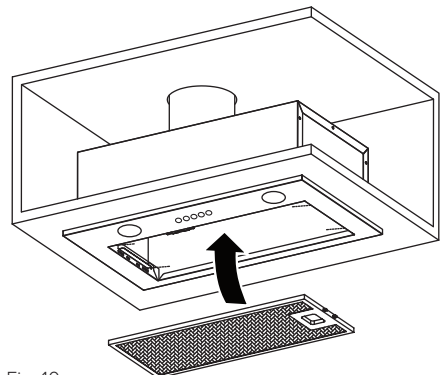
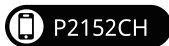


Fig. 10



This product was supplied by Shomar Ltd Dublin Ireland.
To contact us for after-sales service or spare parts please visit our website
www.powerpointappliances.ie or scan the QR code below.



PowerPoint

