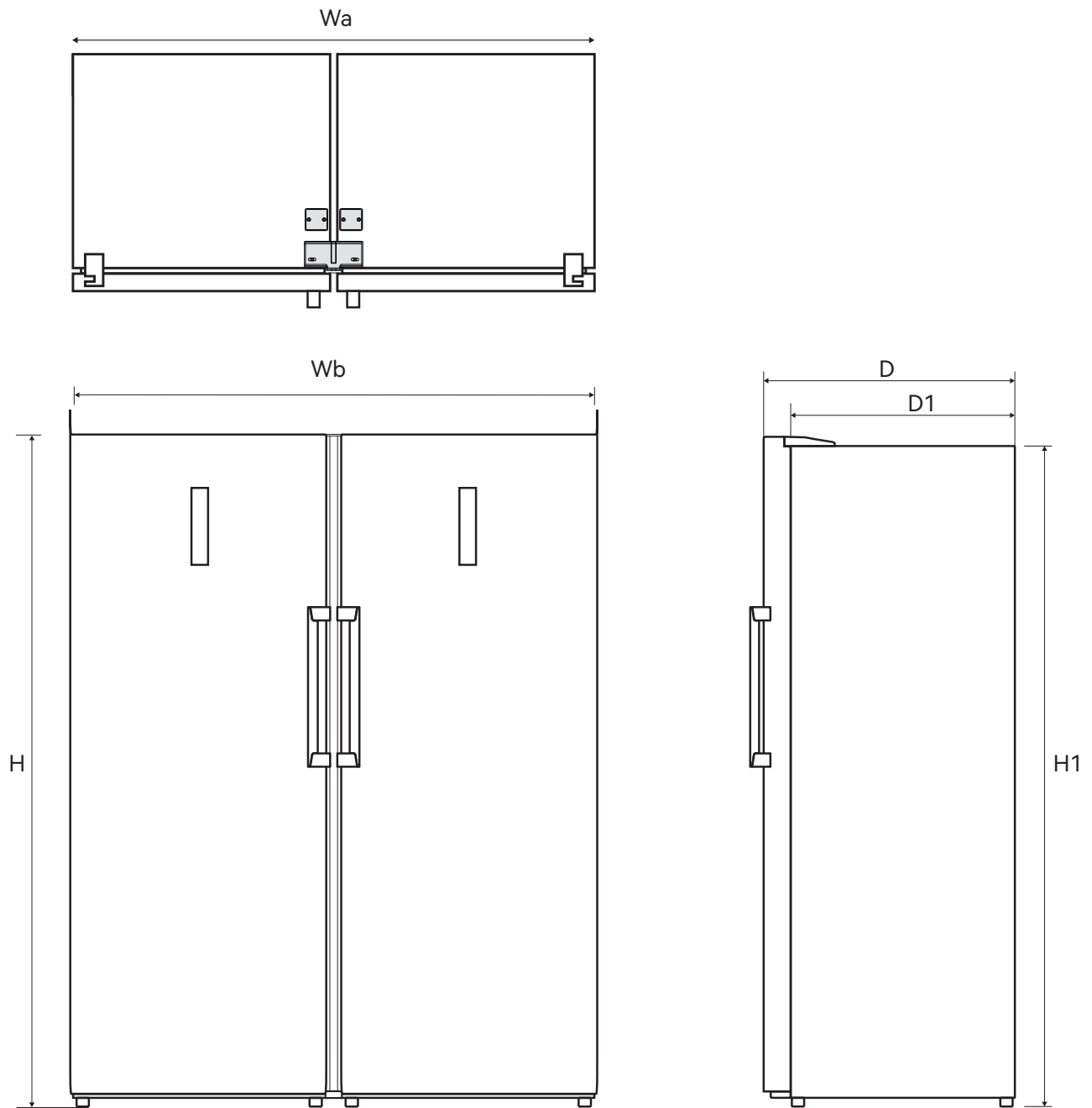


JOINED DIMENSIONS

Note: Only P1271185MFZIN & P1271185MRIN include connection kit.



Joined cabinet dimensions:

Standard width		Cabinet height	Max door height	Joined cabinet width	Joined door width	Max total depth	Max cabinet depth
model 1	model 2	(H1)	(H)	(W _a)	(W _b)	(D)	(D1)
710mm	710mm	1825mm	1855mm	1445mm	1445mm	705mm	701mm

All measurements are in millimetres.

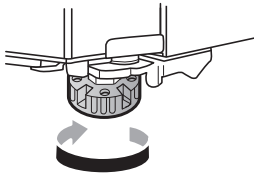
INSTALLATION

Levelling the Appliance

1.1 Adjusting the Levelling Leg

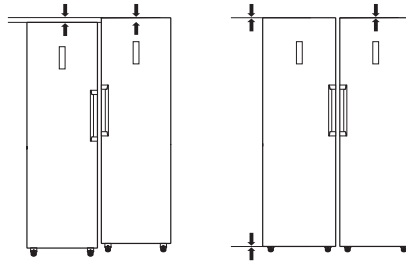
If the appliance seems unsteady, or the doors do not close easily, adjust the appliance's tilt using the instructions below.

Turn the levelling leg clockwise to raise that side of the appliance or counterclockwise to lower it.



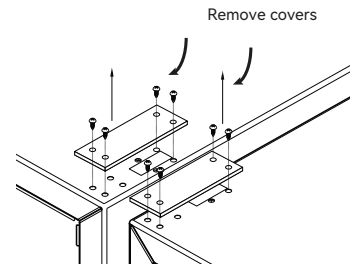
1.2 Align the doors

If the door of the appliance is not level, adjust the difference in the height of appliance door.



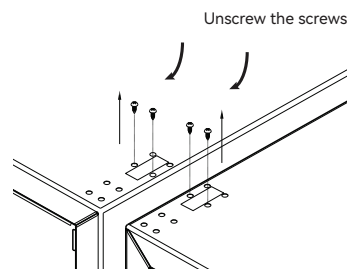
2.1 Remove the original hole covers

Remove the original hole covers on the top of the two refrigerators while retaining the bolts.



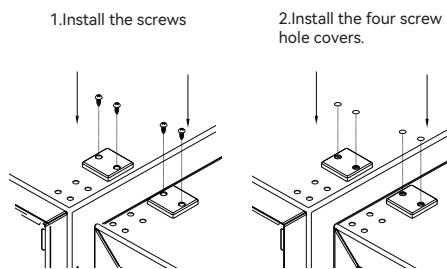
2.2 Unscrew the junction box screws

Screw off the middle two screws of the junction box (the same for each refrigerator), and keep all the other screws.



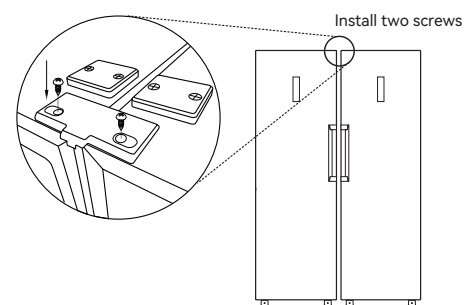
2.3 Install the C2137.1-4 hole cover

Cover the exposed junction boxes with the C2137.1-4 hole covers, Install two screws first, and then apply the hole cover B0973.20.1-5 to the screws.



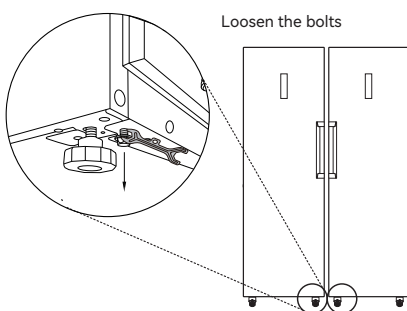
3.1 Install the C2137.1-1 hole cover

Adjust slightly the position of the two refrigerators, and install the C2137.1-1 hole cover on the two refrigerators. Be noted that the screw installed first on one side should not be tightened until the screw on the other side is installed.



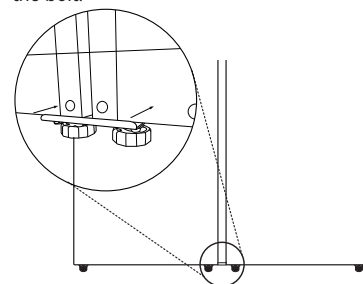
3.2 Loosen the bottom bolts

Adjust the two refrigerators so that they are flush with each other at the bottom side, and loosen the bottom bolts using the socket head wrench (not to remove them completely).



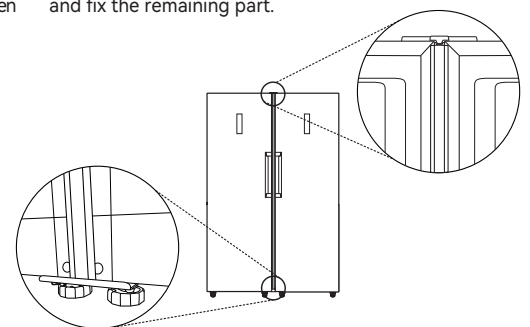
3.3 Install the C2137.1-2 stiffener

Hook the C2137.1-2 stiffener on to the bolt on one side first, tighten the bolt, and then narrow the clearance between the refrigerators, hook the said stiffener on to the other side bolt, enlarge the clearance between the refrigerators to the maximum extent, and finally tighten the bolt.



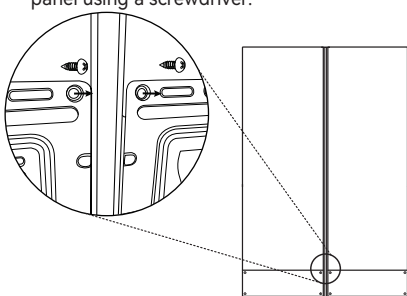
4.1 Install the C2137.5-3 trim strip

Insert one end of the trim strip into the clearance, fix it from the bottom up, until the height of more than 1m, and then insert the other end of the trim strip into the clearance between the top hole cover and the refrigerator cabinet, and fix the remaining part.



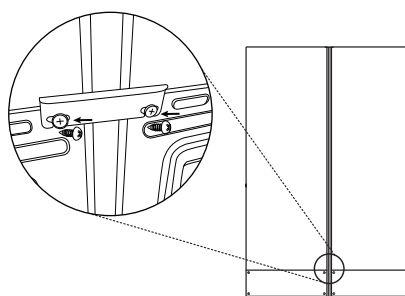
4.2 Remove screws from the back of the refrigerators

Unscrews two screws from the refrigerator back panel using a screwdriver.



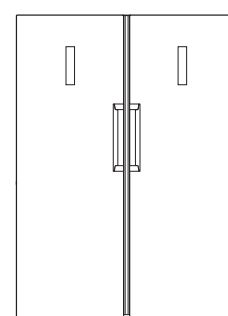
4.3 Install the C2137.1-2 stiffener

install the C2137.1-2 stiffener at the screws position upside down, and fix it with the screws.

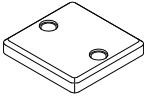
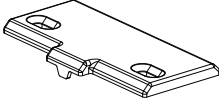

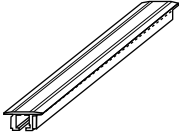



5.1 Finish the installation

Installation of BD-380W TWINS refrigerator is completed.



CONNECTION KIT PACKAGE CONTENTS

Item		Description	qty	Component Name
1		Top hole cover with threaded holes	2x	C2137.1-4 hole cover
2		Top connecting piece	1x	C2137.1-1 hole cover
3		Bottom stiffener	2x	C2137.1-2 stiffener
4		Central trim strip	1x	C2137.5-3 trim strip
5		Hole covers	4x	B0973.20.1-5 hole cover