



PowerPoint

P21350XBBL

Extractors

Installation, use and maintenance



Important

The manufacturer cannot be held responsible for injuries or losses caused by incorrect use or installation of this product. Please note that the manufacturer reserves the right to invalidate the guarantee supplied with this product following incorrect installation or misuse of the appliance or use in a commercial environment.

This appliance is not designed to be used by people (including children) with reduced physical, sensorial or mental capacity, or who lack experience or knowledge about it, unless they have had supervision or instructions on how to use the appliance by someone who is responsible for their safety.

Under no circumstances should any external covers be removed for servicing or maintenance except by suitably qualified personnel.

Appliance information:

Please enter the details on the appliance rating plate below for reference, to assist Customer Care in the event of a fault with your appliance and to register your appliance for guarantee purposes.

Appliance Model


Serial Number

CE Declarations of Conformity:

This appliance has been manufactured to the strictest standards and complies with all applicable legislation, including Gas safety, Electrical safety (LVD) and Electromagnetic interference compatibility (EMC).

IMPORTANT INFORMATION FOR CORRECT DISPOSAL OF THE PRODUCT IN ACCORDANCE WITH EC DIRECTIVE 2002/96/EC.

At the end of its working life, the product must be taken to a special local authority waste collection centre or to a dealer providing appliance recycling services. Disposing of a household appliance separately avoids possible negative consequences for the environment and health. It also enables the constituent materials to be recovered, saving both energy and resources.

As a reminder of the need to dispose of household appliances separately, the product is marked with a crossed-out wheeled dustbin. 

Please note:

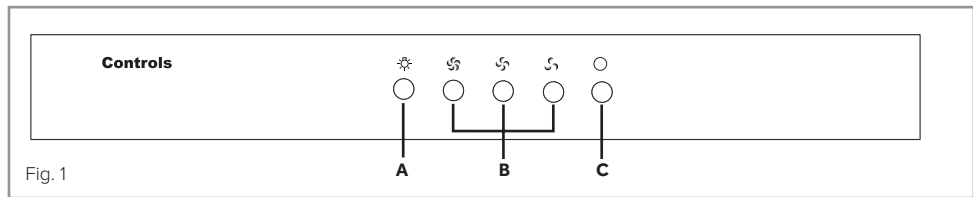
- Under no circumstances should the extractor be connected to any gas ventilation system, flue system or hot air ducting system.
- Do not vent the extractor into an attic or loft space.
- Only house the extractor in rooms with adequate ventilation. Remember that the extractor is powerful and whatever air is extracted needs to be replaced.
- Do not tile the extractor in. It should be removable for service or maintenance.
- Do not use silicone sealant to secure the hood to the wall.
- You must be able to isolate the extractor from the mains electrical supply after installation.
- Steam cleaners must not be used when cleaning this appliance.
- The performance of your extractor will vary depending on a number of factors. These include: type of extraction, length of ducting, room volume, ventilation available and cleanliness of the filters.

Using your Extractor

For best performance, you should switch on the extractor 15 minutes before starting to cook and leave it to run for approximately 15 minutes after the end of cooking.

Control Panel

- A – Light button
- B – Speed level buttons
- C – Power off button



To switch the extractor light on or off

- Press button A.

To switch on the extractor or change the motor speed at any time when the extractor is running

- Press the relevant speed button (B) for the first, second or third speed as required.

To switch the extractor off

- Press button C.

Care and Maintenance

IMPORTANT : DO NOT PERFORM MAINTENANCE OR CLEANING OF THE EXTRACTOR WITHOUT FIRST SWITCHING OFF THE ELECTRICITY SUPPLY.

Cleaning

You should use a nonabrasive cleaner. Any abrasive cleaner (including Cif) will scratch the surface and could erase the control panel markings.

You can clean your extractor effectively by simply using a dilute solution of water and mild detergent and drying to a shine with a clean cloth.

Cleaning the grease filter

The grease filter should be kept clean to minimise the risk of fire. At least once a month you should remove the grease filter and clean it with hot soapy water. You can also wash the grease filter in a dishwasher, ensuring that you place it in an upright position to prevent damage from other items in the dishwasher.

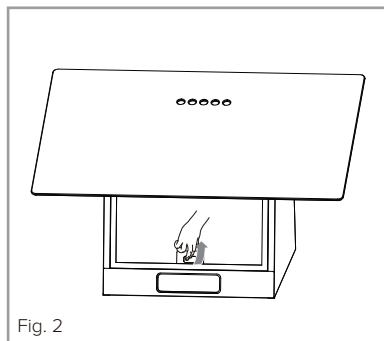


Fig. 2

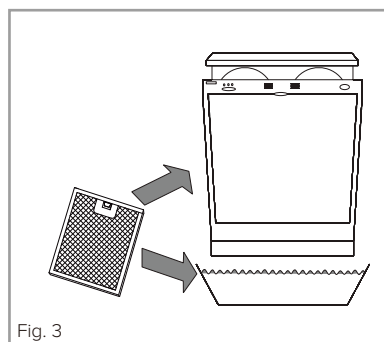


Fig. 3



To remove the grease filter

- Open the hinged panel as shown in Fig. 2.
- Push in the button on the handle and then pull down on the filter at the top as shown in Fig. 3.
- When you have released it at the top, then you can pull the filter out completely.

After rinsing and drying, reassemble the grease filter to the hood by reversing the removal process.

Please note:

Cleaning the grease filter in the dishwasher may lead to discolouration. This is normal and does not constitute a fault with the appliance.

Changing the Light

NOTE: LED lights replacement must be done by a qualified electrician.

Disconnect the mains plug in order to interrupt flow of electricity.

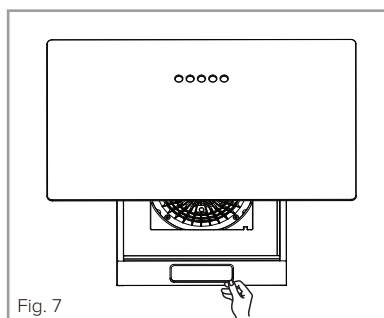
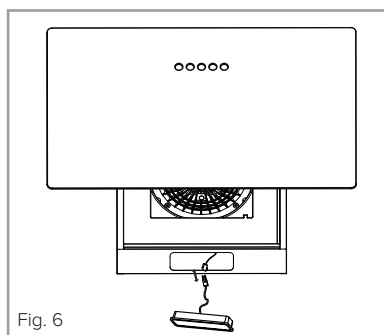
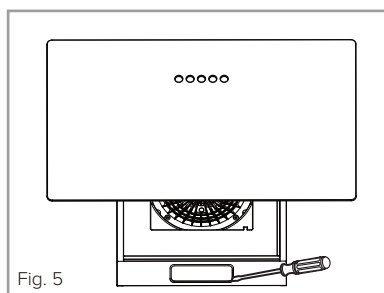
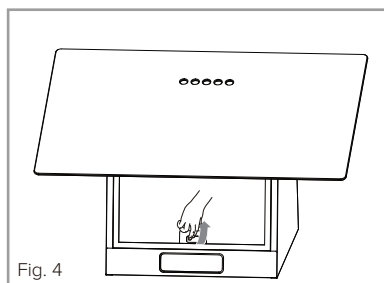
Take out the grease filter and open the black protective cap of the plug-in connection from inside.

Loosen the plug-in connection contained therein.

Carefully loosen the defective LED module downwards and replace the LED.

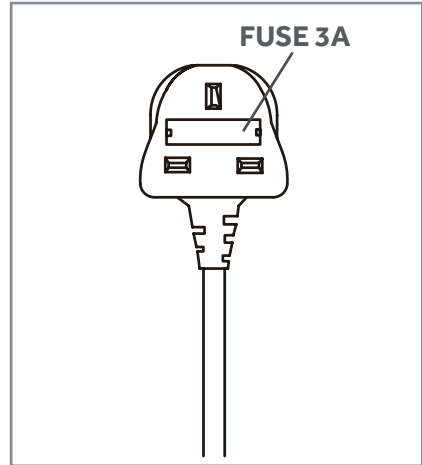
Connect the plug-in connection and close the external protective cap.

Connect with power supply again.



PROTECTION LINE

3A Fuse is installed inside the plug to protection line.



Electrical Information

Mains electrical voltage: 230-240V ac, 50Hz

Total rated power consumption:

26.5W

If your extractor is not working:

1. Check that the mains supply has not been switched off.
2. Check that the fuse in the spur has not blown.



GUARANTEE

Your new product is guaranteed against defects in materials and/or workmanship. Any parts found to be defective will be repaired or replaced at our discretion. All repairs must be carried out by an authorised Repair Agent. Your extractor comes with a 5 years Parts 2 years Labour Guarantee.

THIS GUARANTEE IS VALID PROVIDING THAT :

- The appliance has been installed by a suitably qualified person
- Installation has been carried out in accordance with instructions and current legislation
- Proof of purchase can be produced
- The appliance has been used for domestic purposes only
- The appliance has not been tampered with or repair attempted or modified by any unauthorised person

THIS GUARANTEE DOES NOT COVER :

- Damage by misuse, neglect or transit
- Use of parts that have not been recommended
- Routine maintenance, general wear & tear and installation faults
- Rubber seals, removable glass and/or plastic parts, fuses or light bulbs which all need replacing periodically
- Second-hand or reconditioned appliances
- Appliances used for commercial or professional purposes

This guarantee does not in any way affect your statutory legal rights.

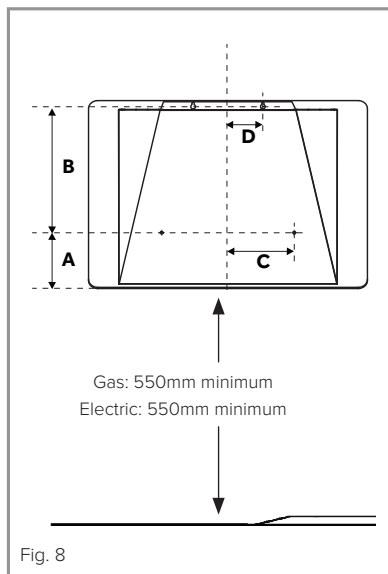
Mounting Your Extractor

Your extractor can be used to filter and recycle the air within your kitchen, or to extract the air outside.

When installing this appliance over a hob, the clearance between the extractor and the hob must be equal to or exceed 550mm. This instruction overrides the instructions supplied with the hob.

(The height should be measured from the top of the hotplates or burners).

Where the extractor is to be installed above a non hob, the instructions supplied with the hob may dictate that the height required above the hob is greater than 550mm.



| | P21350XBBL |
|---|------------|
| A | 60 |
| B | 250 |
| C | 100 |
| D | 75 |

IN THE ABSENCE OF ANY INSTRUCTIONS SUPPLIED WITH A GAS HOB, THE MINIMUM DISTANCE BETWEEN THE HOB AND EXTRACTOR MUST BE AT LEAST 760mm.

The width of any hob must not be greater than the width of the extractor installed above it.



Installation

The metal casing of this appliance has been coated with a preservative to protect it during transport and storage. This should be removed during installation by using a non-abrasive stainless steel cleaner. Always follow the instructions given with the cleaner being used.

When correctly installed, your product meets all safety requirements laid down for this type of product. However, special care should be taken around the rear of the appliance as these areas are not designed or intended to be touched and may contain sharp or rough edges that could cause injury.

Ducting and Ventilation

For best performance and lowest noise output, we recommend the use of 125mm ducting. 100mm ducting may be used but this will reduce performance and increase the noise of the extractor.

Tools required.

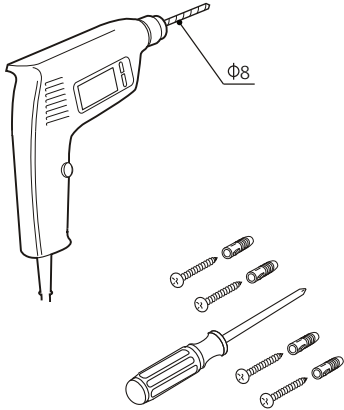


Fig. 9

Mark out wall as required.

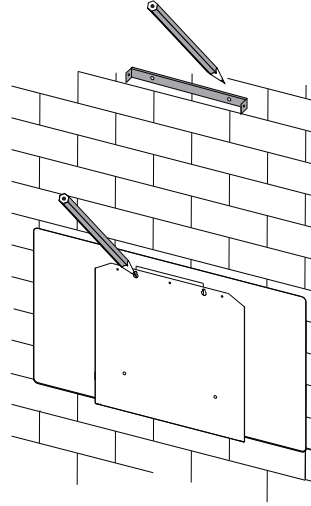


Fig. 10

Drill six mounting holes.

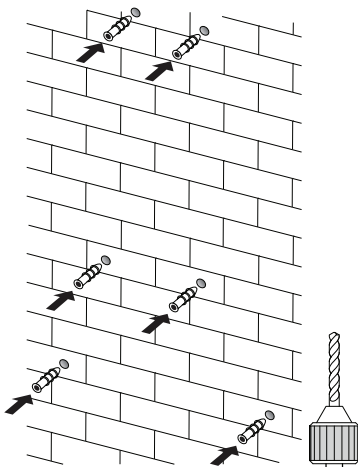


Fig. 10..

Fit wall fixings and top screws. Ensure that any fixings you use are appropriate for the wall type.

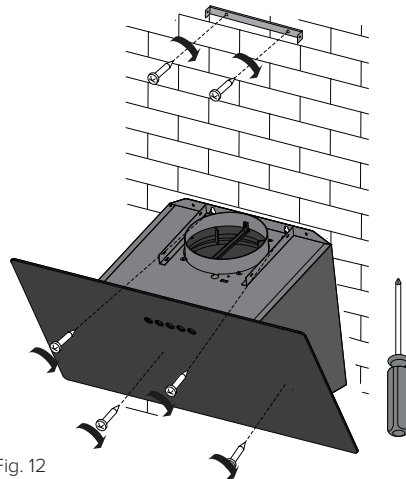


Fig. 12

IMPORTANT SAFETY WARNING: ONLY USE THE SCREWS PROVIDED WITH THE EXTRACTOR TO MOUNT THE DUCTING ADAPTOR. THE USE OF LONGER SCREWS MAY CAUSE DAMAGE TO THE INTERNAL WIRING WHICH WILL NOT BE COVERED BY THE WARRANTY.

Place the non return flap on the air outlet.
(The non return flap is an additional extra, which can be used to prevent draught or insects getting into the cooker hood if used with an external duct.)

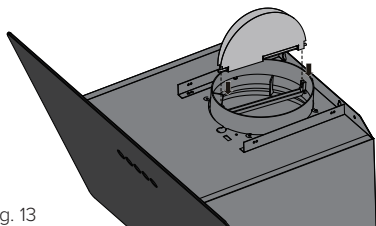


Fig. 13

Press the non return flap into the slot with a screwdriver.

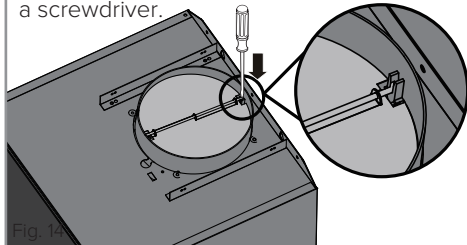


Fig. 14

Fix ducting and seal joints.

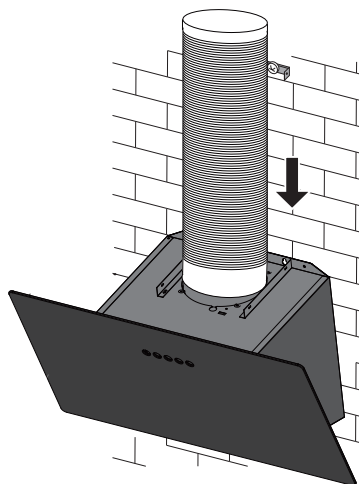


Fig. 15

Mount the chimney.

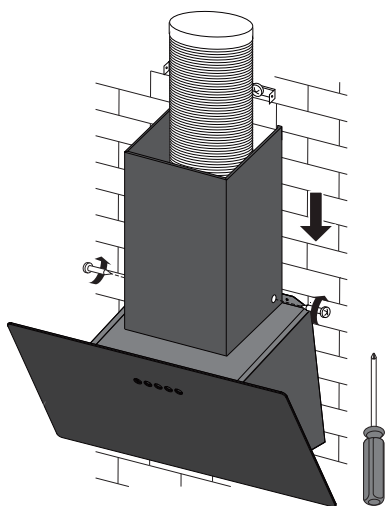


Fig. 16

Adjust and secure the chimney.

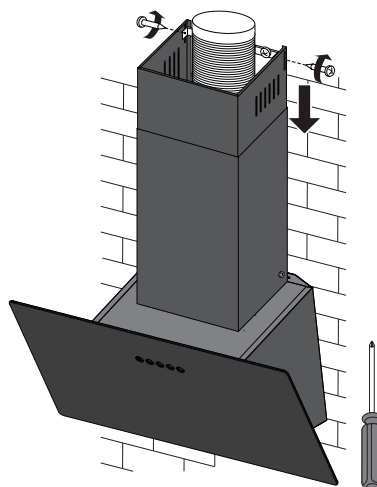


Fig. 17

| Attribute | Symbol | Value | Units |
|--|---------------|--------------|-------------------|
| Model identification | | P21350XBBL | |
| Annual Energy Consumption | AEC_{Hood} | 16.1 | kWh |
| Time increase factor | f | 1.7 | |
| Fluid Dynamic Efficiency | FDE_{Hood} | 9.2 | |
| Energy Efficiency Index | EEl_{Hood} | 54.8 | |
| Measured airflow at Best Efficiency Point | Q_{BEP} | 151.2 | m ³ /h |
| Measured Pressure at Best Efficiency Point | P_{BEP} | 53 | Pa |
| Maximum airflow | Q_{MAX} | 258.0 | m ³ /h |
| Measured electric power at Best Efficiency Point | W_{BEP} | 24.2 | W |
| Nominal lighting power | WL | 1.5 | W |
| Average illumination of the lighting system on the cooking surface | E_{Middle} | 49 | Lux |
| Measured power consumption in standby | P_s | N/A | W |
| Measured power consumption off mode | P_o | 0.0 | W |
| Sound power level | L_{WA} | 62 | dBA |
| Grease Filter Efficiency | GFE_{Hood} | 66.6 (D) | % |
| Lamp Efficiency | LE_{Hood} | 33 (A) | % |

E & O E. All instructions, dimensions and illustrations are provided for guidance only. PowerPoint reserve the right to change specifications without prior notice.



PowerPoint

