

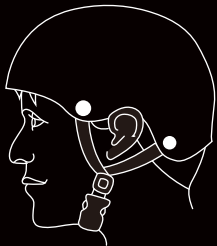
# X HOVER-1 BUGGY



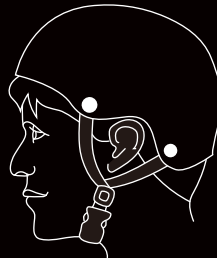
OPERATION MANUAL  
HY-H1-BGY

# HELMETS SAVE LIVES!

Always wear a properly fitted helmet that complies with CPSC or CE safety standards when you ride.



**Correct Fit:**  
Make sure your helmet covers your forehead.



**Incorrect Fit:**  
Forehead is exposed and vulnerable to serious injury.

# INTRODUCTION

This manual provides you the information you need for the safe operation and maintenance of your Hover-1 Buggy. Please read it thoroughly before riding your Hover-1 Buggy.



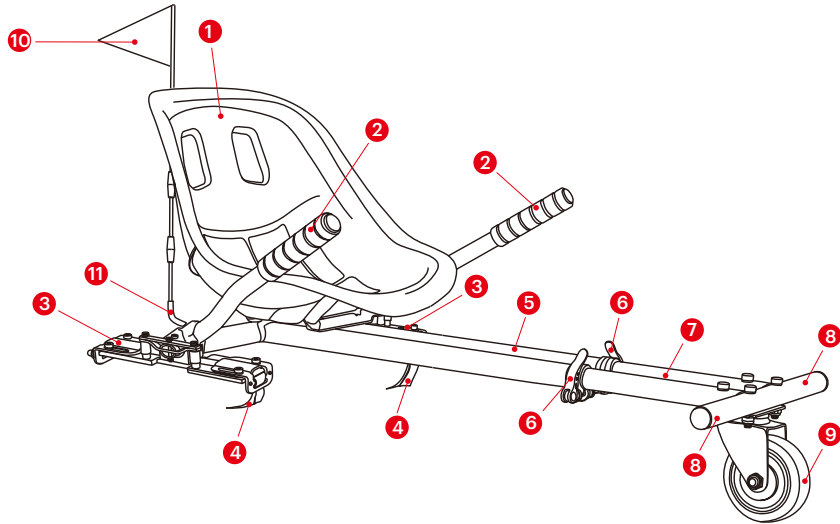
## WARNING

Make sure you read this complete manual before riding your Hover-1 Buggy. Even if you are an experienced rider, it is important that you read this manual to ensure your safety. Failure to read the manual or follow its guidelines could lead to serious injury or death.

Please visit  
[www.hover-1.com/troubleshoot](http://www.hover-1.com/troubleshoot)  
to request replacements for  
missing or defective parts

# HOVER-1 BUGGY DIAGRAM


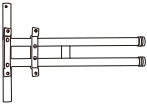
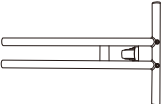
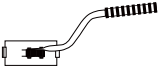
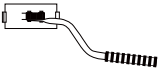



1. Seat
2. Handlebars
3. Handlebar Mounts
4. Hook and Loop Strap
5. Seat Frame
6. Lockers
7. Front Frame
8. Foot Rests
9. Front Wheel
10. Flag
11. Flag Tube













## SPECIFICATIONS

Compatibility:	Most 6.5" hoverboards
Max Supported Weight:	Refer to your hoverboard's manual
Wheel Size:	4" swivel caster wheel
Seat Material:	Polypropylene

# PARTS LIST

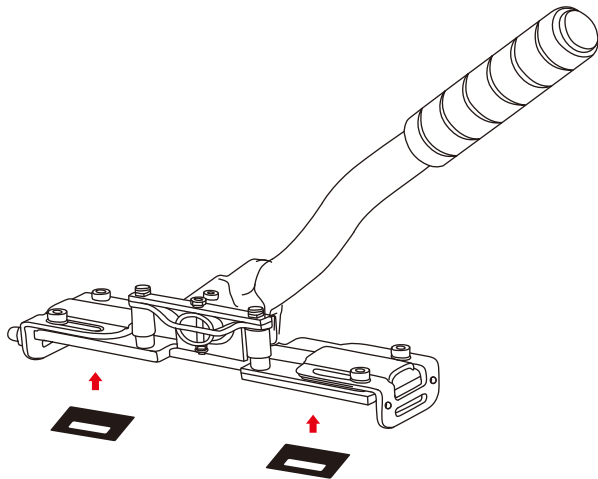
	(1) Seat
	(1) Seat Frame
	(1) Front Frame
	(1) Left Handlebar
	(1) Right Handlebar
	(2) Hook and Loop Straps
	(4) Spare Hook and Loop Straps
	(4) Spare Foam Pads

	(1) Wrench
	(2) Hex Keys
	(2) Lockers
	(2) 8 X 38 Screws
	(4) M6 X 16 Screws
	(2) 8 mm Nuts
	(4) 6 mm Nuts
	(4) Metal Washers
	(1) Flag Set
	(1) Flag Tube

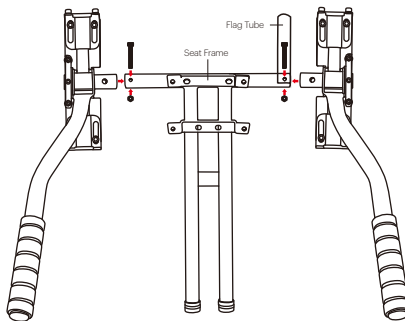
# ASSEMBLING YOUR HOVER-1 BUGGY

Remove all Hover-1 Buggy contents from the box. Ensure all contents from the "PARTS LIST" section are accounted for.

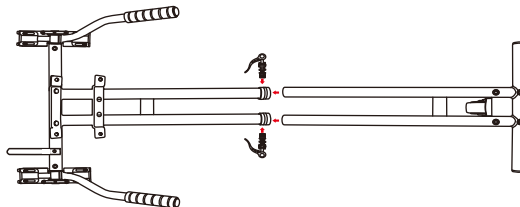
1. Check the foam pads located underneath the handlebar mounts to ensure they are securely attached. After riding for a while, they may wear down and fall off. You can replace the foam pads with the included spare foam pads if needed. If the pads are secured, proceed to step 2. Otherwise, remove the adhesive backing of the spare foam pads and stick them under the handlebar mounts.



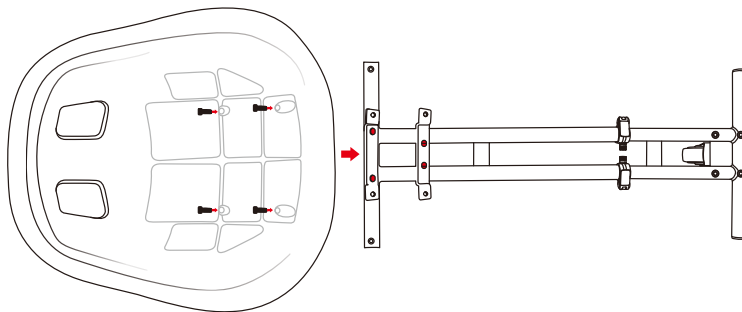
2. Insert the left and right handlebar mounts into the seat frame as shown below. Align the holes of the handlebar mounts with the holes in the seat frame. Align the hole of the flag tube with the hole in the seat frame on either side. This will be where the flag is inserted later. Insert the 8 X 38 screws into the seat frame holes and attach the 8 mm nuts to the end of the screws by twisting them on clockwise. Hold the 8 mm nuts in place with the wrench and turn the screws clockwise with the smaller hex key to tighten the screws. Make sure both screws are tightly secured.



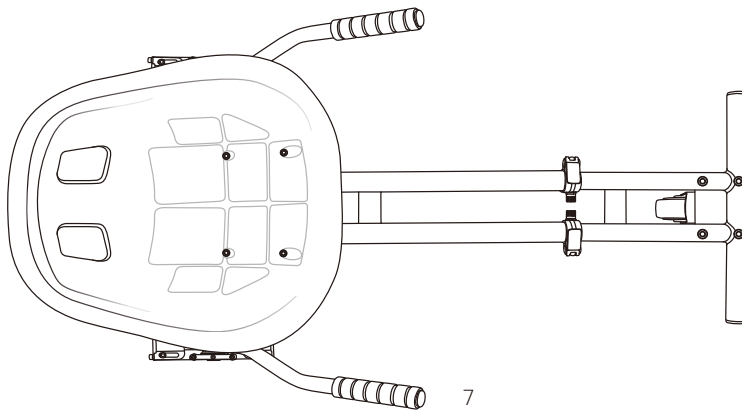
3. Insert the front frame into the seat frame. Adjust the front frame to your preferred length. Remove the black bolt and the first white washer from the end of each locker. Fully insert the screwed section of one locker into the seat frame holes. Add the white washer and black bolt back onto the locker once it is fully inserted and twist them on clockwise until they are tightly secured. Close the locker clamp tightly. Repeat these steps on the other side of the seat frame with the other locker.



4. Align the holes of the seat with the highlighted holes of the seat frame as show below. Insert the 4 metal washers into the seat holes, then insert the M6 X16 screws. Attach the 6 mm nuts to the bottom of each screw, under the seat frame. Twist the nuts on clockwise. Hold the 6 mm nuts still with the wrench while turning the screws clockwise with the larger hex key to tighten the screws. Make sure all 4 screws are tightly secured.



5. Your Hover-1 Buggy is now assembled and should look like the image below.



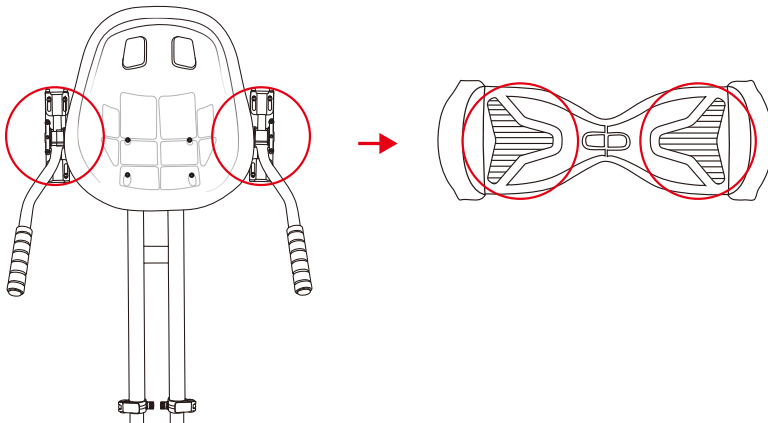


# ATTACHING THE HOVER-1 BUGGY TO YOUR HOVERBOARD

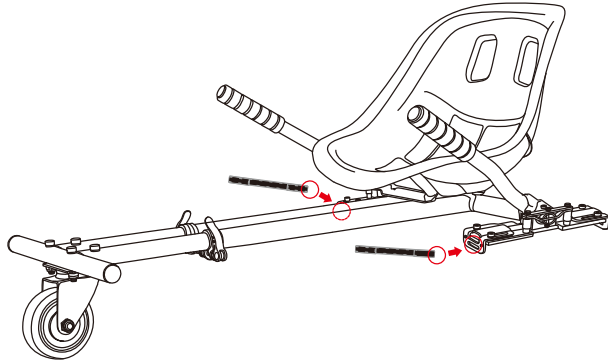
Carefully follow the instructions on the following pages to attach the Hover-1 Buggy to your hoverboard. Read this entire manual before riding your Hover-1 Buggy.

Your Hover-1 Buggy should be completely assembled prior to attaching it to your hoverboard. Please refer to the "ASSEMBLING YOUR HOVER-1 BUGGY" section of the manual for assembly instructions.

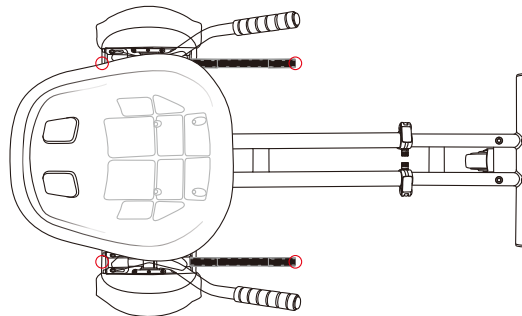
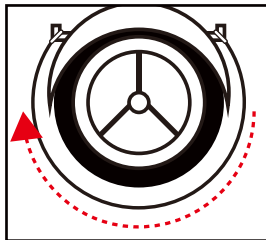
1. Place the handlebar mounts onto the foot pads of your hoverboard. Ensure the mounts are centered on the foot pads of your hoverboard as much as possible.



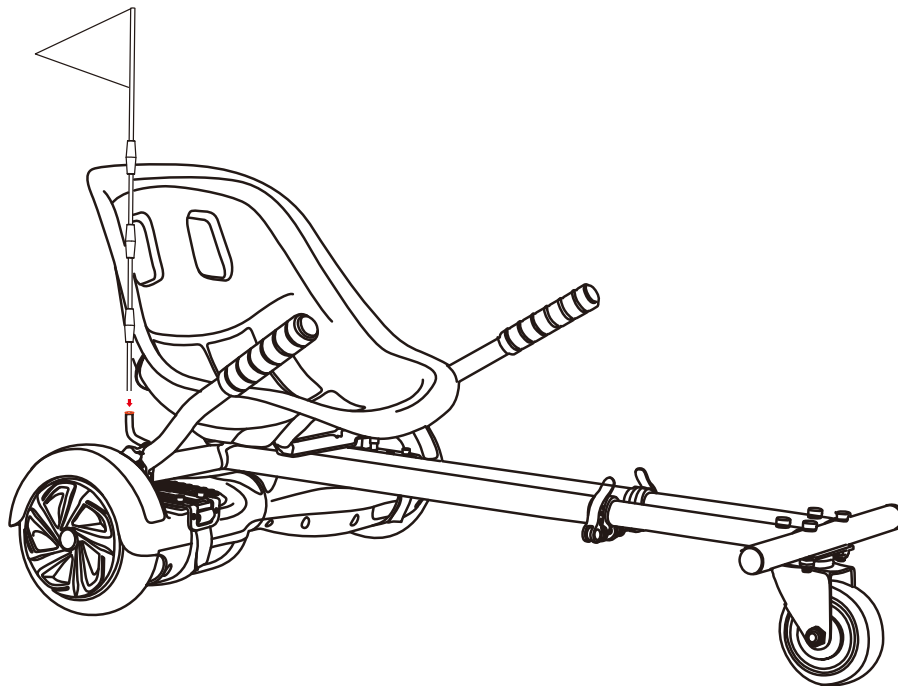
2. Secure your Hover-1 Buggy to your hoverboard using 2 of the included hook and loop straps. With the fastener side facing away from your hoverboard, thread the straps through the outside hole of each handlebar mount.



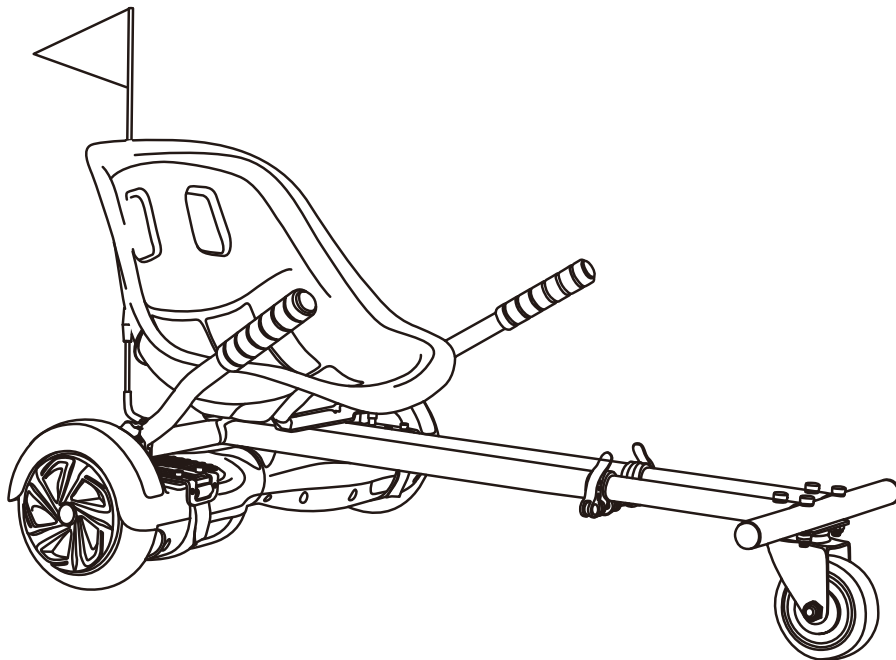
3. Wrap the straps underneath the hoverboard and pull them through to the other side. Insert the straps into the rear hole of the handlebar mounts. Fasten the front and rear sides of the straps. Make sure they are tightly secured to the hoverboard.



4. Assemble the flag by inserting one of the included flag rods into the opening in the flag fabric. Combine the remaining rods together by inserting them into each other at the coupling points. Insert the assembled flag set into the flag tube as shown below.



5. Your fully assembled Hover-1 Buggy should be attached to your hoverboard as shown below.



# BEFORE RIDING



## WARNING

Any hoverboard that does not work properly can cause you to lose control. Inspect the entire device thoroughly before every ride, and do not ride it until any problems have been corrected.

## HOVER-1 BUGGY OPERATION

It is important that you fully understand all the functions of your Hover-1 Buggy. If these functions are not used correctly, you will not have full control of your Hover-1 Buggy.

Practice using the Hover-1 Buggy at slower speeds in a flat, open area before riding the Hover-1 Buggy in other spaces.



## WARNING

Do not ride a Hover-1 Buggy with a part that is damaged. Replace the damaged part before riding.

# PRE-RIDE HOVER-1 BUGGY CHECKLIST

Ensure that your Hover-1 Buggy and hoverboard are in proper working order each time you ride. If a part of the Hover-1 Buggy does not function correctly, please contact our Customer Support Center.

- Ensure the battery of your hoverboard is fully charged before riding your Hover-1 Buggy.
- Ensure that the screws and nuts of the Hover-1 Buggy are secured before each ride.
- Check to ensure the tires of your hoverboard are not worn.
- Check to ensure all connections are maintained on your hoverboard.
- Make sure your hoverboard is calibrated and running properly.

# SAFETY PRECAUTIONS

The first rule of safe riding is to use common sense. The Hover-1 Buggy cannot protect you in a crash, against impact, or from loss of control the way a car can. The Hover-1 Buggy can tip over sideways or pitch you over the front wheel if you don't ride it properly. Please read the following safety precautions to operate your Hover-1 Buggy safely.

Different localities and countries have different laws governing riding on public roads, and you should check with local officials to ensure you are complying with these laws.

Hover-1 is not liable for tickets or violations given to riders who do not follow these regulations.

- For your safety, always wear a helmet that meets CPSC or CE safety standards. In the event of an accident, a helmet can protect you from serious injury and in some cases, even death.
- Obey all local laws, stop signs, pedestrian crosswalks, etc.
- If you are riding with other riders, maintain a safe distance between each other to avoid collisions.
- Ride defensively; expect the unexpected.
- Give pedestrians the right-of-way.
- Do not ride too close to pedestrians. Alert them if you intend to pass them from behind.
- Slow down at all street intersections and look to the left and right before crossing.
- Obey all traffic signals.

- Always use proper hand signals for turning and stopping. Give signals 100 ft before stopping or turning and always return both hands to the handlebars before stopping or turning.
- Watch for cars when pulling into traffic and watch for the sudden opening of car doors.
- Avoid potholes, drainage grates or other hazards.
- Be careful when riding on soft road edges, gravel, sand, and uneven surfaces. Ride slowly and avoid quick turns when riding on these surfaces.
- Never hitch onto other vehicles.
- Do not attempt any stunts or tricks with the Hover-1 Buggy. Do not race in traffic.
- Do not weave in and out of traffic or swerve from side to side.
- A crash can put extraordinary stress on the Hover-1 Buggy's components, possibly causing them to fatigue prematurely. Components suffering from stress fatigue can fail suddenly, causing loss of control or serious injury.

### **CAUTION: RIDING IN WET WEATHER**

It is not recommended that you ride your Hover-1 Buggy in wet weather, as the electronic components of the hoverboard may be damaged if exposed to water. Stopping distances will be longer in wet conditions.



1. This product is strictly forbidden to be used on roads and highways, unless your local laws state otherwise. You must wear a safety helmet, knee and elbow pads, and other necessary protective gear when riding your Hover-1 Buggy.
2. The assembly pieces should be checked before every ride to avoid an accident while riding.
3. Do not make sharp turns, as you may drift and overturn the Hover-1 Buggy, which can result in injury to yourself and/or damage the unit.
4. Do not operate near swimming pools or other bodies of water.

## **WARNING**

To reduce the risk of injury, adult supervision is required. Never use in roadways, near motor vehicles, on or near steep inclines or steps, near swimming pools or other bodies of water. Always wear shoes, and never allow more than one rider at a time.

# RIDING YOUR HOVER-1 BUGGY

Ensure your Hover-1 Buggy is fully assembled and correctly attached to your hoverboard with all straps, screws, and nuts secured in place. Ensure your hoverboard is properly maintained. Failure to do so may result in damage to the unit, serious bodily harm, or death.

After reviewing the pre-ride checklist, follow the steps below to begin riding your Hover-1 Buggy.

1. Turn on your hoverboard.
2. Sit comfortably in the Hover-1 Buggy seat.
3. Place your feet onto the foot rests.
4. Firmly grip both handlebars and slowly push them downward simultaneously to move forward.
5. When riding, pull both handlebars upward simultaneously to brake.
6. To reverse, stop the hoverboard, then slowly pull both handlebars upward simultaneously.
7. To turn left, push the right handlebar down and pull the left handlebar up.
8. To turn right, push the left handlebar down and pull the right handlebar up.

# WARRANTY

For warranty information, please visit us at [www.hover-1.com](http://www.hover-1.com).

Manufacturer: DGL Group, Ltd.  
2045 Lincoln Highway, Edison, NJ 08817



@Hover1Rideables



@RideHover1



@RideHover1



[www.hover-1.com](http://www.hover-1.com)