



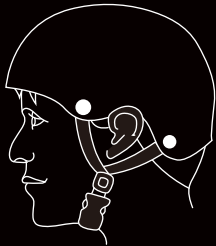
BEAST BUGGY



OPERATION MANUAL
HY-BST-BGY

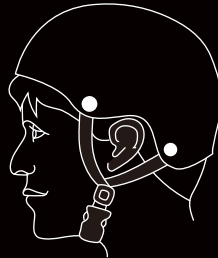
HELMETS SAVE LIVES!

Always wear a properly fitted helmet that complies with CPSC or CE safety standards when you ride.



Correct Fit:

Make sure your helmet covers your forehead.



Incorrect Fit:

Forehead is exposed and vulnerable to serious injury.

INTRODUCTION

This manual provides you the information you need for the safe operation and maintenance of your Hover-1 Beast Buggy. Please read it thoroughly before riding your Hover-1 Beast Buggy.

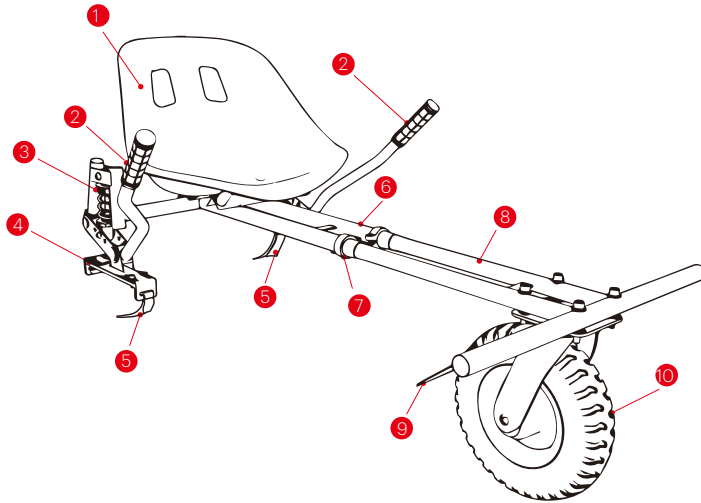
WARNING

Make sure you read this complete manual before riding your Hover-1 Beast Buggy. Even if you are an experienced rider, it is important that you read this manual to ensure your safety. Failure to read the manual or follow its guidelines could lead to serious injury or death.

Please visit
www.hover-1.com/troubleshoot
to request replacements for
missing or defective parts

HOVER-1 BEAST BUGGY DIAGRAM

1. Seat
2. Handle Bars
3. Shock Absorbing Coils
4. Pedal Mounts
5. Elastic Strap
6. Seat Frame
7. Locker
8. Frame Extension
9. Foot Rests
10. Front Wheel

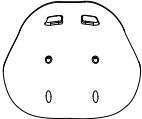
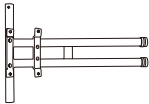
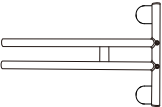
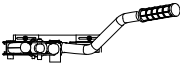
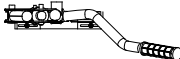






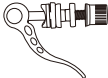







SPECIFICATIONS

Compatibility:
Max Supported Weight:
Wheel Size:
Seat Material:

Most hoverboards with 10" wheels
Refer to your hoverboard's manual
8" swivel caster
Polypropylene

PARTS LIST

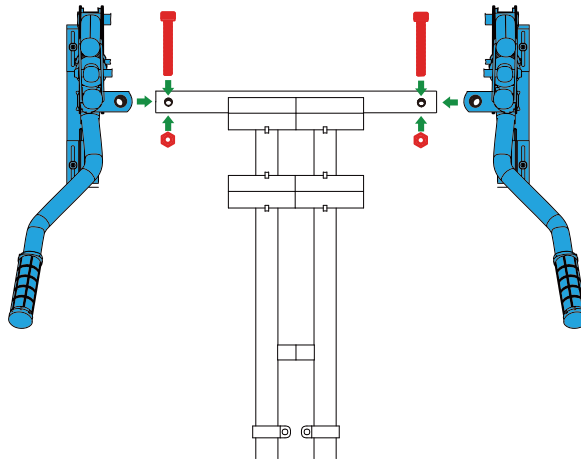
	(1) Seat
	(1) Seat Frame
	(1) Frame Extension
	(1) Left Handlebar
	(1) Right Handlebar
	(1) Wheel
	(2) Hook and Loop Straps

	(1) Wrench
	Hex Keys: (1) M8 (1) M6
	(2) Lockers
	(2) M8 X 38 Screws
	(4) M8 X 40 Screws
	(4) M6 X 16 Screws
	(4) 6 mm Nuts
	(6) 8 mm Nuts
	(4) 20 mm Washers
	(2) Spare Hook and Loop Straps

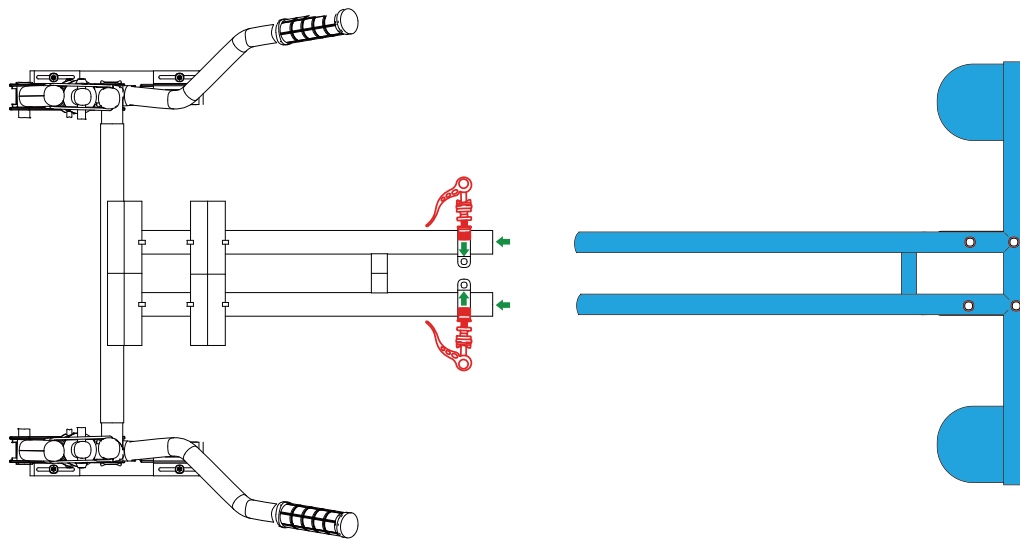
ASSEMBLING YOUR HOVER-1 BEAST BUGGY

1. Remove all of the Hover-1 Beast Buggy contents from the box. Ensure all the contents from the “PARTS LIST” section are accounted for.

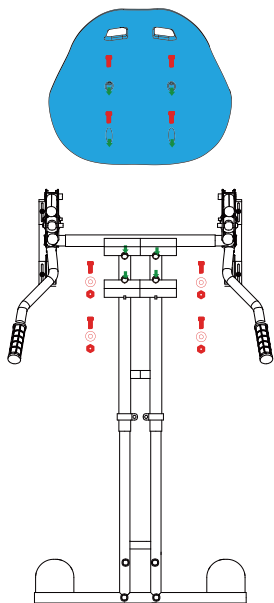
2. Insert the left and right handlebar mounts into the seat frame as shown below. Align the holes of the handlebar mounts with the holes in the seat frame. Insert the M8 X 38 screws into the seat frame holes and attach the 8 mm nuts to the end of the screws by twisting them on clockwise. Once the nuts are attached, hold the 8 mm nuts in place with the wrench and turn the screws clockwise with the smaller hex key to tighten the screws. Make sure both screws are tightly secured.



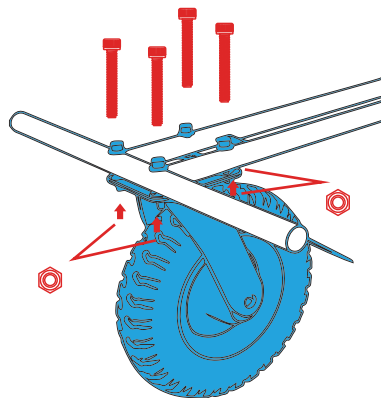
3. Insert the frame extension into the seat frame. The foot rests should be pointing down. Adjust the front frame to your preferred length. Remove the black cap and the first white washer from the end of each locker. Fully insert the screwed section of one locker into the seat frame holes. Add the white washer and black cap back onto the locker once it is fully inserted and twist the cap on clockwise until its is tightly secured. Close the locker clamp tightly. Repeat these steps on the other side of the seat frame with the other locker.



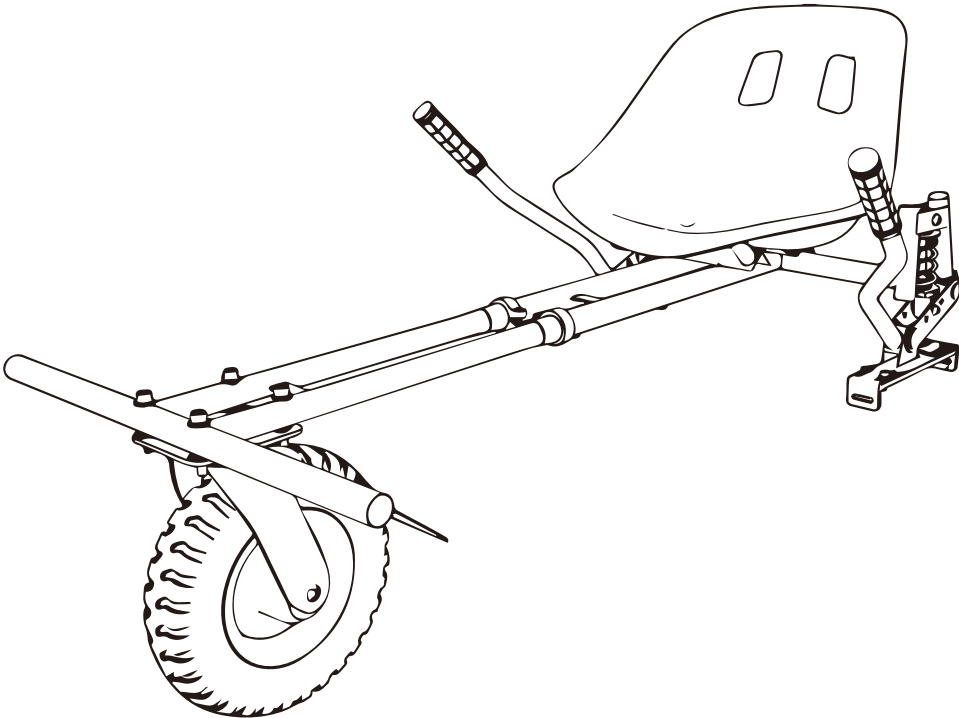
4. Align the holes of the seat with the holes of the seat frame as show below. Insert the M6 X16 screws. Attach the 20 mm washers and the 6 mm nuts to the bottom of each screw, under the seat frame. Twist the nuts on clockwise. Hold the 6 mm nuts still with the wrench while turning the screws clockwise with the larger hex key to tighten the screws. Make sure all 4 screws are tightly secured.



5. Align the holes of the wheel plate with the holes in the frame extension. Insert the M8 X 40 screws into each hole and attach the 6 mm lug nuts to each screw. Hold the 6 mm nuts still with the wrench while turning the screws clockwise with the larger hex key to tighten the screws. Make sure all 4 screws are tightly secured.



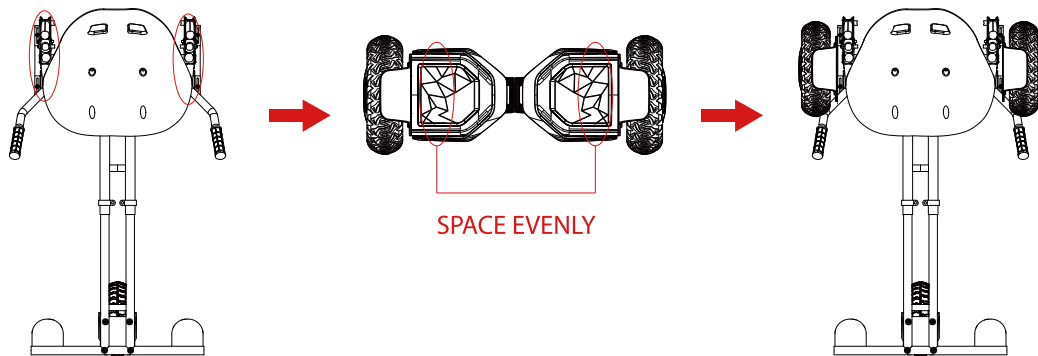
6. Your Hover-1 Beast Buggy is now assembled and should look like the below image.



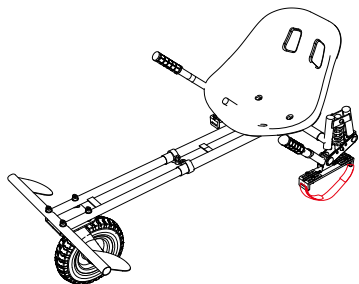
ATTACHING YOUR BEAST BUGGY TO YOUR HOVERBOARD

Your Hover-1 Beast Buggy should be completely assembled prior to attaching it to your hoverboard. Please refer to the "ASSEMBLING YOUR HOVER-1 BEAST BUGGY" section for assembling procedures.

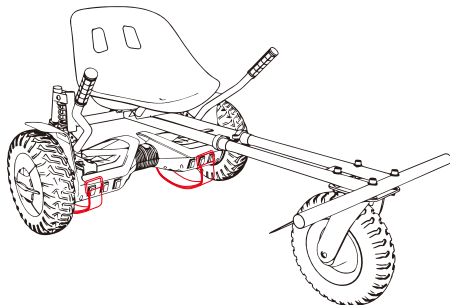
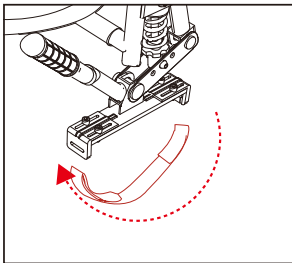
1. Place the handlebar mounts onto the foot pads of your hoverboard. Ensure the mounts are centered on the foot pads of your hoverboard as much as possible.



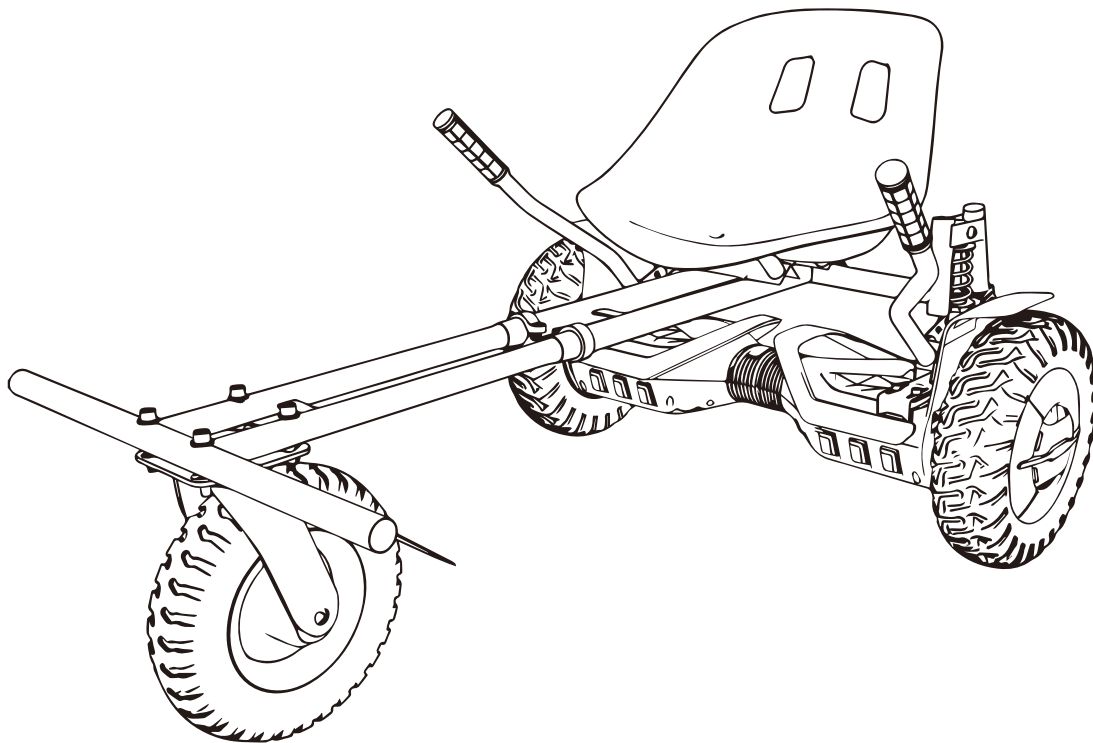
2. Secure the Beast Buggy to your hoverboard using 2 of the included hook and loop straps. The other 2 straps included are spares. With the fastener side facing away from your hoverboard, thread the straps through the front hole of each handlebar mount.



3. Wrap both straps under your hoverboard and pull them through to the other side. Insert the straps into the rear hole of the handlebar mounts. Fasten the front and rear sides of the straps. The rubber protectors on the straps should be centered underneath the hoverboard. Make sure they are tightly secured to the hoverboard.



4. Adjust both adjustable straps so that there is an even amount of pressure on the pedals.
5. Your Hover-1 Beast Buggy should be properly installed onto your hoverboard as shown below.



BEFORE RIDING

WARNING

Any hoverboard that does not work properly can cause you to lose control and fall. Inspect the entire device thoroughly before every ride, and do not ride it until any problems have been corrected.

BEAST BUGGY OPERATION

It is important that you fully understand all the functions of your Beast Buggy. If these functions are not used correctly, you will not have full control of your Beast Buggy.

Practice using the Beast Buggy at slower speeds in a flat, open area before riding the Beast Buggy in other spaces.

WARNING

Do not ride a Hover-1 Beast Buggy with a part that is damaged. Replace the damaged part before riding.

PRE-RIDE HOVER-1 BEAST BUGGY CHECKLIST

Ensure that your Beast Buggy and hoverboard are in proper working order each time you ride. If a part of the Beast Buggy does not function correctly, please contact our Customer Support Center.

- Ensure the battery of your hoverboard is fully charged before riding your Beast Buggy.
- Ensure that the screws and nuts on the Beast Buggy are tightly secured before each ride.
- Check to ensure the tires of your hoverboard are not worn.
- Check to ensure all connections are maintained on your hoverboard.
- Make sure your hoverboard is calibrated and running properly.

SAFETY PRECAUTIONS

The first rule of safe riding is to use common sense. The Beast Buggy cannot protect you in a crash, against impact, or from loss of control the way a car can. The Beast Buggy can tip over sideways or pitch you over the front wheel if you don't ride it properly. Please read the following safety precautions to operate your Beast Buggy safely.

Different localities and countries have different laws governing riding on public roads, and you should check with local officials to ensure you are complying with these laws.

Hover-1 is not liable for tickets or violations given to riders who do not follow these regulations.

- For your safety, always wear a helmet that meets CPSC or CE safety standards. In the event of an accident, a helmet can protect you from serious injury and in some cases, even death.
- Obey all local laws, stop signs, pedestrian crosswalks, etc.
- If you are riding with other riders, maintain a safe distance between each other to avoid collisions.
- Ride defensively; expect the unexpected.
- Give pedestrians the right-of-way.
- Do not ride too close to pedestrians. Alert them if you intend to pass them from behind.
- Slow down at all street intersections and look to the left and right before crossing.
- Obey all traffic signals.

- Always use proper hand signals for turning and stopping. Give signals 100 ft before stopping or turning and always return both hands to the handlebars before stopping or turning.
- Watch for cars when pulling into traffic and watch for the sudden opening of car doors.
- Avoid potholes, drainage grates, or other hazards.
- Be careful when riding on soft road edges, gravel, sand and uneven surfaces. Ride slowly and avoid quick turns when riding on these surfaces.
- Never hitch onto other vehicles.
- Do not attempt any stunts or tricks with the Beast Buggy. Do not race in traffic.
- Do not weave in and out of traffic or swerve from side to side.
- A crash can put extraordinary stress on Beast Buggy's components, possibly causing them to fatigue prematurely. Components suffering from stress fatigue can fail suddenly, causing loss of control or serious injury.

CAUTION: RIDING IN WET WEATHER

It is recommended that you do not ride your Beast Buggy in wet weather, as the electronic components of the hoverboard may be damaged if exposed to water. Stopping distances can be longer in wet conditions than in dry conditions.

1. This product is strictly forbidden to be used on roads and highways unless your local laws state otherwise. You must wear a safety helmet, knee and elbow pads, and other necessary protective gear when riding your Beast Buggy.
2. Due to the nature of this product, the assembly pieces should be checked before every ride to avoid an accident while riding.
3. Do not make a sharp turns, as you may drift and overturn the Beast Buggy, which can result in injury to yourself and/or damage the unit.
4. Do not operate near swimming pools or other bodies of water.



WARNING

To reduce the risk of injury, adult supervision is required. Never use in roadways, near motor vehicles, on or near steep inclines or steps, near swimming pools, or other bodies of water. Always wear shoes, and never allow more than one rider at a time.

RIDING YOUR HOVER-1 BEAST BUGGY

Ensure your Beast Buggy is fully assembled and correctly attached to your hoverboard with all straps, screws, and nuts secured in place. Ensure your hoverboard is properly maintained as well. Failure to do so may result in damage to the unit, serious bodily harm, or death.

After reviewing the pre-ride checklist, follow the steps below to begin riding your Beast Buggy.

1. Turn on your hoverboard.
2. Sit comfortably in the Beast Buggy seat.
2. Place your feet on the foot rests.
3. Firmly grip both handlebars and slowly push them downward simultaneously to move forward.
4. When riding, pull both handlebars upwards simultaneously to brake.
5. To ride in reverse, stop the hoverboard, then slowly pull both handlebars upwards simultaneously.
6. To turn left, push the right handlebar down and pull the left handlebar up.
7. To turn right, push the left handlebar down and pull the right handlebar up.


WARRANTY

For warranty information, please visit us at www.hover-1.com


Manufacturer: DGL Group, Ltd.
2045 Lincoln Highway, Edison, NJ 08817



 @Hover1Rideables

 @RideHover1

 @RideHover1

 www.Hover-1.com