

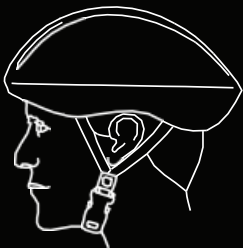
NIGHT OWL



OPERATION MANUAL
H1-NTL

HELMETS SAVE LIVES!

Always wear a properly fitted helmet that complies with CPSC or CE safety standards when you ride your scooter.



Correct Fitting:

Make sure your helmet covers your forehead.



Incorrect Fitting:

Forehead is exposed and vulnerable to serious injury.

WARNING

As with all mechanical components, the Hover-1 Night Owl is subjected to wear and high stresses. Different materials and components may react to wear or fatigue in different ways. If the design life of a component has been exceeded, it may suddenly fail possibly causing injuries to the rider. Any form of crack, scratch or change of coloring in highly stressed areas indicate that the life of the component has been reached and it should be replaced. Do not ride in an abusive manner.

CAUTION

In this manual, the CAUTION sign indicates a hazardous situation which, if not avoided, can cause minor or moderate injury.

WARNING

In this manual, the WARNING sign indicates a hazardous situation which, if not avoided, can cause death or serious injury.

WARNING

Great care should be taken with the Hover-1 Night Owl when folding or unfolding. If you do not understand how to operate the levers, please visit www.Hover-1.com

DO NOT RIDE YOUR HOVER-1 Night Owl WITHOUT ALL RELEASES SECURELY LOCKED.

INTRODUCTION

This manual is designed to give you the information you need for the safe operation and maintenance of your new Night Owl scooter. Please read it thoroughly before riding your Night Owl.

WARNING

Make sure you read this complete manual before riding your Hover-1 Night Owl. Failure to do so, or failure to follow its guidelines could lead to serious injury or death.

The Night Owl is a personal transporter. Our technology and production processes are developed with strict testing for each Night Owl scooter. Operating the Night Owl without following the contents of this manual may lead to damage to your Night Owl scooter, or bodily injury.

PACKAGE CONTENTS

- Hover-1 Night Owl Electric Folding Scooter
- Charging Cable
- Charger
- Operation Manual

Your Hover-1 Night Owl's serial number is stamped respectively on the bottom of the platform. Record the serial number in the designated area of the "WARRANTY" section of this manual in the event that your Hover-1 Night Owl is lost or stolen.

WARNING!

PLEASE READ THE USER MANUAL THOROUGHLY.

Failure to follow the basic instructions and safety precautions listed in the user manual can lead to damage to your scooter, other property damage, serious bodily injury, and even death.

Thank you for purchasing the Hover-1 Night Owl. Please read all instructions carefully before using and retain this manual for future use and reference.

This manual applies to the Hover-1 Night Owl.

- In order to avoid dangers that are caused by collisions, falls, and loss of control, please learn how to ride the Night Owl safely.
- You can learn operating skills by reading the product manual and watching videos.
- This manual includes operating instructions and precautions. Users must read it carefully and follow the instructions.
- All users are responsible for any consequences caused by violating warning contents or prompt operations. Hover-1 can not be held liable.

ATTENTION

1. Use only the supplied charger with this scooter.
2. The operating temperature range of the charger is 32– 104° F (0–40° C).
3. The operating temperature range of the E-Scooter is 32 – 104° F (0 – 40° C).
4. Do not ride on icy or slippery surfaces.
5. Read the operation manual and warning labels before riding.
6. Store the Night Owl in a dry, ventilated environment.
7. When transporting the Night Owl, avoid violent crashes or impact.

LOW TEMPERATURE WARNING

Low temperature will affect the lubrication of moving parts inside the Night Owl, increasing internal resistance. At the same time, in low temperatures, the discharge capacity and the capacity itself of the battery will be significantly decreased.

Use caution when riding the Night Owl in cold temperatures (below 40 degrees F).

Doing so may increase the risk of mechanical failures of the scooter, which may lead to damage to your scooter, other property damage, serious bodily injury and even death.

SAFETY INSTRUCTIONS

- Keep the scooter away from heat sources, direct sunlight, humidity, water and any other liquids.
- Do not operate the scooter if it has been exposed to water, moisture or any other liquids to prevent against electric shock, explosion and/or injury to yourself and damage to the scooter.
- Do not use the scooter if it has been dropped or damaged in any way.
- Repairs to electrical equipment should only be performed by the manufacturer. Improper repair voids the warranty and may place the user at serious risk.
- Do not puncture or harm the exterior surface of the product in any way.
- Keep the scooter free from dust, lint, etc.
- Do not use this scooter for anything other than its intended use or purpose. Doing so may damage the scooter or lead to property damage, injury or death.
- This product is not a toy. Keep out of reach of children.
- Do not expose batteries, battery pack, or batteries installed to excessive heat, such as direct sunlight, or open flame.
- Do not allow hands, feet, hair, body parts, clothing or similar articles to come in contact with moving parts, wheels or drive-train, while the Night Owl is running.

- Do not operate, or allow others to operate, the Hover-1 Night Owl, until the user understands all instructions, warnings and safety features described in this manual.
- Check with your doctor if you have a medical condition that could affect your ability to use the Hover-1 Night Owl.
- Persons with head, back or neck ailments or prior surgeries to those areas of the body are not recommended to use this Hover-1 Night Owl.
- Do not operate if you are pregnant, have a heart condition, or have both.
- Persons with any mental or physical conditions that may make them susceptible to injury or impair their physical or mental capabilities to recognize, understand and perform all of the safety instructions and to be able to assume the hazards inherent in unit use, should not use the Hover-1 Night Owl.



NOTES:

In this manual, the above symbol with the word "NOTES" indicates instructions or relevant facts the user should remember prior to using the scooter.



CAUTION!

In this manual, the above symbol with the word "CAUTION" indicates a hazardous situation which, if not avoided, can cause minor or moderate injury.



WARNING!

In this manual, the above symbol with the word "WARNING" indicates a hazardous situation which, if not avoided, can cause death or serious injury.

SERIAL NUMBER

Please keep the serial number on file for warranty claims as well as proof of purchase.



WARNING!

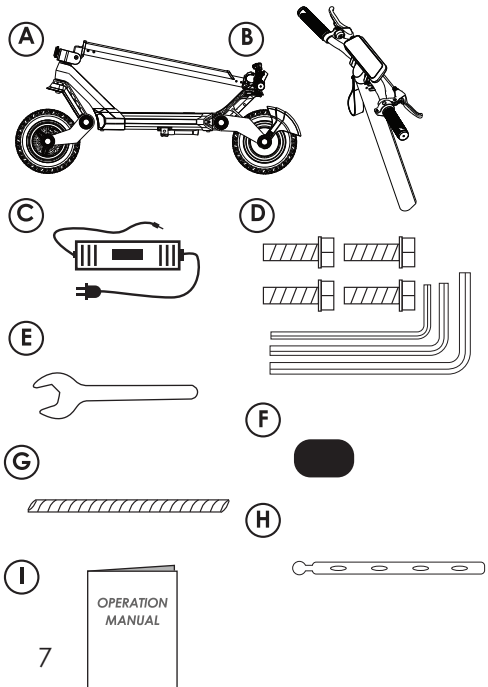
WARNING: Prolonged exposure to UV rays, rain and the elements may damage the enclosure materials. Store indoors when not in use.

SPECIFICATIONS

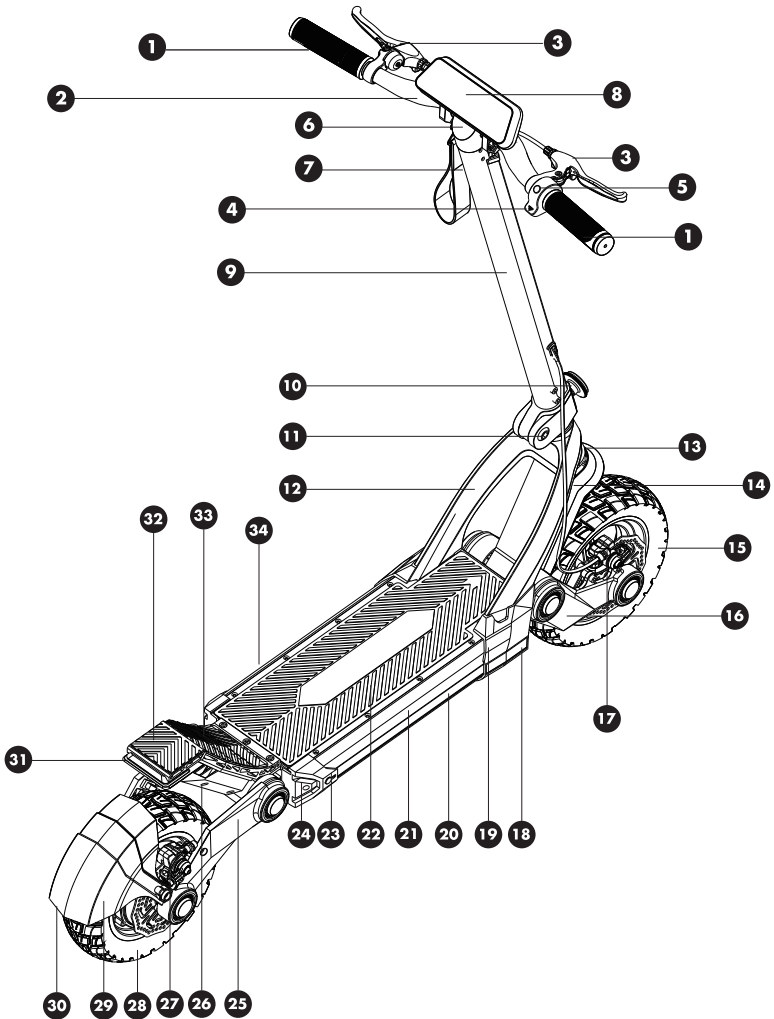
Model:	H1-NTL
Net Weight:	57.3lb (26 kg)
Max Supported Weight:	220lb(100kg)
Min Supported Weight:	40lb/18kg
Max Speed:	Up to 31 mph (50 km/h)
Max Distance Range:	Up to 37 miles (60 km)
Battery Type:	Lithium-ion
Motor Power:	1200 W
Battery Voltage:	52 V
Battery Capacity:	18 Ah
Power Requirement:	100-240V, 50/60Hz
Folding Size:	(47 in. x 26 in. x 22 in.) (119 cm x 66 cm x 55 cm)
Open Size:	(47 in. x 26 in. x 51 in.) (119 cm x 66 cm x 129 cm)
Tire Type:	Semi-Off Road
Tire Size:	10.5" Front & Rear
Brake Type:	Dual Disk + E-Brake
BT ID:	D058080
FCC ID:	2AANZNTL

PARTS LIST

- A.** Scooter Frame
- B.** Handle Bar Assembly
- C.** Charger + Charging Cable
- D.** 3 PCS Allen Wrench & M6 Screws (6)
- E.** M15 Spanner
- F.** Rubber Vibration Damper
- G.** Plastic Spiral Cable Wrap
- H.** Silicone Cable Tie
- I.** Operation Manual



HOVER-1 NIGHT OWL DIAGRAM



FEATURES/PARTS

- | | | |
|-------------------|----------------------------|---------------------|
| 1. Handle Grip | 13. Front Suspension Base | 27. Rear Disc Brake |
| 2. Steering Bar | 14. Front Fender | 28. Rear Wheel |
| 3. Brake and Bell | 15. Front Wheel | 29. Rear Fender |
| 4. Throttle | 16. Front Suspension | 30. Rear Reflector |
| 5. Power Button | 17. Front Disc Brake | 31. Tail Light |
| 6. Handlebar Base | 18. Front Light | 32. Rear Deck |
| 7. Locking Ribbon | 19. Side Reflector | 33. Rear Foot Pedal |
| 8. Display | 20. Side Light Cover | 34. Kickstand |
| 9. Steering Pole | 21. Deck | |
| 10. Folding Screw | 22. Foot Pedal | |
| 11. Folding Bar | 23. DC IN | |
| 12. Front Axle | 24. Deck Rear Cover | |
| | 25. Rear Suspension | |
| | 26. Rear Deck Bottom Cover | |

HOVER-1 NIGHT OWL DIAGRAM

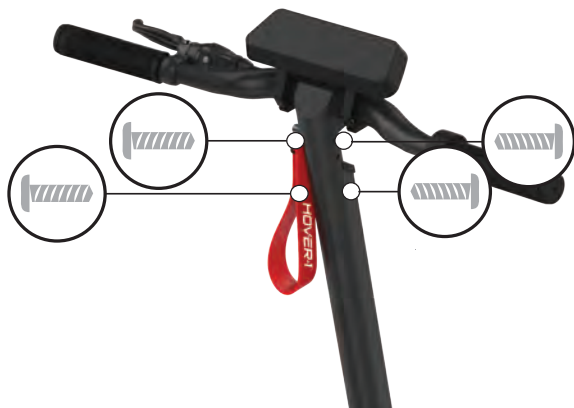


SETTING UP YOUR SCOOTER

PLEASE READ THE FOLLOWING INSTRUCTIONS CAREFULLY

ATTACHING THE HANDLEBAR KIT

Attach the handle bar kit by placing it into the steering column, align the front and back screw holes, and tighten the 4 screws into place using the Allen wrench provided.



PINCH POINTS

Some parts of your Hover-1 Night Owl can injure you if mishandled. Moving and folding parts can cut skin please use caution when adjusting parts. Clamps and pivoting parts such as brake levers can pinch please be careful. When folding and unfolding your Hover-1 Night Owl, please watch for pinch points where possible injury may be sustained. Do not leave your hand in these areas during folding or unfolding.



FOLDING & UNFOLDING

- 1 Loosen the folding hinge until the screw is out of the fold
- 2 Put down the steering pole
- 3 Hang the locking ribbon to the bottom of the rear pedal



REAR PEDAL



Before riding please make sure to fully tighten the folding screw

Once folded secure locking ribbon around back of scooter

CARE & MAINTENANCE

- Do not expose the scooter to liquid, moisture, or humidity to avoid damage to the product's internal circuitry.
- Do not use abrasive cleaning solvents to clean the scooter.
- Do not expose the scooter to extremely high or low temperatures as this will shorten the life of the electronic scooter, destroy the battery, and/or distort certain plastic parts.
- Do not dispose of the scooter in fire as it may explode or combust.
- Do not expose the scooter to contact with sharp objects as this will cause scratches and damage.
- Do not let the scooter fall from high places, as doing so may damage the internal circuitry.
- Do not attempt to disassemble the scooter.
- Only use the charger provided by Hover-1.
- Using only the manufacturer's authorized replacement parts with installation performed by dealers or other skilled persons.

WARNING

Avoid using water or other liquids for cleaning. If water or other liquids enter the Night Owl, it will cause permanent damage to the internal components.

WARNING

Users who disassemble the Night Owl scooter without permission will void the warranty.

CHARGING YOUR SCOOTER

- Ensure that the charging port is clean and dry.
 - Make sure that there is no dust, debris or dirt inside the port.
 - Plug the charger into a grounded wall outlet.
 - Connect the cable with the power supply.
 - Align and connect the 1-pin charging cable into the charging port of the Night Owl Scooter.
- (DO NOT FORCE OR BEND THE CHARGING CABLE AS IT MAY CAUSE THE PRONGS TO BEND OR BREAK.)
- The charging indicator light on the charger itself should change to RED, indicating that your scooter is now being charged.
 - When the RED indicator light on your charger turns to GREEN, then your scooter is fully charged.
 - After fully charging your Night Owl Scooter, unplug the charger from your scooter and from the power outlet.

WARNING

Any Night Owl Scooter that does not work properly can cause you to lose control and fall. Inspect the entire device thoroughly before every ride, and do not ride it until any problems have been corrected.



BATTERY CARE / MAINTENANCE

BATTERY SPECIFICATIONS

Battery Type: Rechargeable lithium-ion battery

Charge Time: Up to 10 hours

Battery Voltage: 52 V

Battery Capacity: 18 Ah

Working Temperature: 32°F - 104°F

Charging Temperature: 50°F - 104°F

Storage Time: 1 year

Storage Temperature: -4°F - 104°F

Storage Humidity: 5% - 95%

BATTERY MAINTENANCE

To maintain longevity of your Night Owl scooter when not in use, it is recommended to recharge the battery minimum every 2 months to maintain the battery life.

The lithium-ion battery is built into the scooter. Do not disassemble the scooter to remove the battery or attempt to separate it from the scooter.

- When charging the scooter, please use the enclosed 1-pin charging cable or otherwise ensure that the battery charging conditions are met.
- Do not connect or attach the scooter or the battery to a power supply plug or directly to a car's cigarette lighter.
- Do not place the scooter or batteries near a fire, or into direct sunlight. Heating the scooter and/or the battery can cause additional heating, braking, or ignition of the battery inside the scooter.
- Do not continue charging the battery if it does not recharge within the specified charging time. Doing so may cause the battery to become hot, rupture, and or ignite.

CAUTION

Only use the included charging cable and charger to charge your Hover-1 Night Owl. Using any other unauthorized charger may damage your Hover-1 Night Owl.

To preserve natural resources, please recycle or dispose of batteries properly. This product contains lithium-ion batteries. Local, state, or federal laws may prohibit disposal of lithium-ion batteries in ordinary trash. Consult your local waste authority for information regarding available recycling and/or disposal options.

- Do not attempt to modify, change, or replace your battery.
- Do not use your scooter if the battery begins to emit odor, overheats, or begins to leak.
- Do not touch any leaking materials or breathe fumes emitted.
- Do not allow children and animals to touch the battery.
- The battery contains dangerous substances, do not open the battery, or insert anything into the battery.
- Please only use the charger provided by Hover-1.
- Do not attempt to charge the scooter if the battery has discharge or emits any substances. In that case, immediately distance yourself from the battery in case of fire or explosion.
- Lithium-ion batteries are considered to be hazardous materials. Please follow all local, state and federal laws in regards to recycling, handling and disposing of Lithium-ion batteries.
- This battery charger can be used by children aged from 15 years and above and persons with reduced physical, sensory or mental capabilities or lack of experience and knowledge if they have been given supervision or instruction concerning use of the appliance in a safe way and understand the hazards involved. Do not allow children to play with the appliance. Cleaning and user maintenance shall not be made by children without supervision.

WARNING

SEEK IMMEDIATE MEDICAL ASSISTANCE IF YOU ARE EXPOSED TO ANY SUBSTANCE THAT IS EMITTED FROM THE BATTERY.

LED DISPLAY



1

ON/ OFF BUTTON

To power ON press button

To power OFF press and hold the button

2

PUSH TO START

Tap and hold the set button to turn on/ off kick start feature. When the kick start feature is on you don't have to kick off in order for the motor to engage.

3

SPEED MODES

Ensure the Night Owl is powered on. Tap the mode button on display, the speed mode should display and indicate which speed mode is currently activated.

OFRD: Off Road Mode (max 31mph)

ROAD: Street Mode (max 20mph)

CRUISE CONTROL

Tap and hold the mode button on the screen to turn on. (you will see speedometer icon displayed on screen) When cruise control is on active the icon will disappear when you start riding and will display again once you are going at the same speed for more than 6 seconds, signaling that it is on.

When cruise control is off the scooter will not stay at a constant speed. You will have to keep your thumb on the throttle.

4

LED LIGHTS

Press power button once to turn headlight and tail light on/off or tap on the light button on the LED display to turn on/off.

APP INSTRUCTION

CONNECT THE SCOOTER

- Scan the QR code to download the Hover-1 E-Mobility App.



- Open the app and select “sign up” or “log in”.
- Complete any updates that are prompted.
- Click the button on the top right hand corner (+) to add scooter.
- Click “Auto Scan” at the top of the screen and turn on your scooter.
- Select the “Enable Bluetooth”, and then click “Start Scanning”.
- After searching, an available scooter that can be connected appears, click “Next”.
- As shown in the picture, the status is “connecting”. Once the connection is established, it will automatically add the scooter to the home page. Subsequently, the next time you open the app, you can directly select the scooter.
- Lastly, click “done” to complete.

DISCONNECT THE EQUIPMENT

- Select the icon “ < ” on the top right corner of the app product screen.
- Select “Remove Device” button at the bottom.
- Lastly, “Disconnect and wipe data” to remove scooter from the app product panel.

INSTRUCTIONS

FAILURE TO FOLLOW ANY OF THE FOLLOWING SAFETY PRECAUTIONS CAN AND MAY LEAD TO DAMAGE TO YOUR SCOOTER, VOID YOUR MANUFACTURER WARRANTY, LEAD TO PROPERTY DAMAGE, CAUSE SERIOUS BODILY INJURY, AND CAN LEAD TO DEATH.

OPERATING YOUR SCOOTER

Make sure the scooter is fully charged before the first initial use. Before turning on your Night Owl scooter, ride it like a normal kick scooter to get comfortable with the scooter before using it with the motor.

When comfortable riding the scooter, power it on. For the motor to activate, you must first start riding the scooter and then push the throttle down with your thumb.

To slow down the scooter, disengage the throttle and squeeze the brake handle to engage the disk brake. The brake is pressure sensitive so a tighter grip means more stopping power.

To turn, use the handlebar to turn in the direction you wish to turn.

The Night Owl scooter can be operated manually if you do not wish to use the motor.

As you get comfortable on the scooter, you will notice it becomes easier to maneuver. Remember at higher speeds, it is necessary to shift your weight to overcome the centrifugal force.

Brace yourself if you encounter bumps or uneven surfaces, then dismount and carry your Night Owl to a safe operating surface.

WARNING

Do not make sharp turns at high speeds to avoid danger. Do not turn or ride quickly along slopes, as it may cause serious injuries.

WARNING

Failure to follow the safety precautions listed below could lead to serious bodily injury and/or death.

WEIGHT AND SPEED LIMITATIONS

Speed and weight limits are set for your own safety. Please do not exceed the limits listed in the "Specifications" section of this manual.

WARNING

Overweight exertion on the scooter may increase possibility of injury or product damage.

OPERATING RANGE

The following are some of the major factors that will affect the operating range of your scooter.

- **Terrain:** To maximize riding distance ride on a smooth, flat surface. Riding uphill and/or on rough terrain will reduce distance significantly.
- **Weight:** A lighter user will have further range than a heavier user.
- **Ambient temperature:** Please ride and store the scooter under recommended temperatures, This will increase riding distance; battery life, and overall performance of your scooter.
- **Speed and Riding Style:** Maintaining a moderate and consistent speed while riding produces maximum distance. Traveling at high speeds for extended periods, frequent starts and stops, idling and frequent acceleration or deceleration will decrease overall distance.

*Do not attempt to brake suddenly as this may lead to injury or damage to your brake discs.

WARNING

Proper use of your brake is vital to ensure safe, efficient stopping. To avoid misuse and potential injury, do not apply sudden or excessive force to your brake. Apply the brake gradually and give yourself enough room to come to a complete stop safely.

While riding your Night Owl scooter, if there is a system error or illegal operation performed the scooter will prompt the user in a variety of ways.

WARNING

If the Night Owl does not work properly it can cause serious injuries. Inspect the entire scooter thoroughly before every ride, and do not ride it until any problems have been corrected.

The following are common occurrences where you will see Safety Alerts. These notices should not be ignored, but appropriate action should be taken to correct any illegal operation, failure or errors.

- Prohibited riding surfaces (uneven, too steep, unsafe, etc.)
- Battery voltage is too low.
- The scooter is still charging.
- Overheating, or motor temperature is too high.
- When the battery is about to run out of power, the battery icon will flash.
- If any or both tires are blocked, the scooter will stop after 10 seconds.
- When the battery level has depleted below protection mode, the scooter motor will power off after 15 seconds.

While sustaining a high discharge current during use (such as riding up a steep slope for a long period of time), the scooter motor may slow down or shut off because of high temperature.

SAFETY PRECAUTIONS

WARNING

There may be additional risk to injury if you use your scooter incorrectly. This includes, but is not limited to:

- Jumping your scooter
- Riding over debris or obstacles
- Performing stunts
- Riding in off-road terrain
- Riding fast
- Racing other riders
- Riding in unusual manner

The aforementioned examples add stress to each part of your scooter and can lead to long term damage of the scooter. Damage to your scooter can lead to an accident or increase your risk of injury. To decrease your risk of injury, use your scooter correctly.

WARNING

To reduce the risk of injury, adult supervision is required. Never use in roadways, near motor vehicles, on or near steep inclines or steps, swimming pools or other bodies of water; always wear shoes, and never allow more than one rider.

- The first rule in safe riding is to use common sense.
- Different localities and countries have different laws governing riding electric transportation devices on public roads.
- You should check with local officials to ensure you are complying with local traffic law requirements.
- Hover-1 is not liable for tickets or violations given to riders who do not follow local laws and regulations.
- For your safety, always wear a helmet that meets CPSC or CE safety standards. In the event of an accident, a helmet can protect you from serious injury and in some cases, even death.

- Obey all local traffic laws. Obey red and green lights, one-way streets, stop signs, pedestrian crosswalks, etc.
- Ride with the traffic, not against it.
- Ride defensively; expect the unexpected.
- Give pedestrians the right-of-way.
- Do not ride too close to pedestrians and alert them if you intend to pass them from behind.
- Slow down at all street intersections and look to the left and right before crossing.

If you are riding your scooter in low-visibility conditions, ensure your LED light is turned on, and that you are wearing bright, reflective clothing.

WARNING

When you ride in low-visibility conditions such as fog, dusk, or night, you might be difficult to see, which could lead to a collision. To increase your level of safety, be sure wear bright, reflective clothing when riding in poor lighting conditions.

- Do not ride with pets.
- Do not try to open or modify your Night Owl scooter. Doing so, voids the manufacturer warranty and may cause your Night Owl to fail, resulting in injury or death.
- Do not use the Night Owl in a manner that would put people or people(s) property in danger.
- If you and your friend(s) are riding Night Owl scooters together, be sure to keep a safe distance between each other to prevent collisions, property damage, serious injuries or even death.
- Be sure to keep your feet on the scooter at all times. Moving your feet off your scooter while riding is dangerous and may cause the scooter to stop or veer sideways.

WARNING

Proper use of your brake is vital to ensure safe, efficient stopping. To avoid misuse and potential injury, do not apply sudden or excessive force to your brakes. Apply your brakes gradually and give yourself enough room to come to a complete stop safely.

- Do not operate the Night Owl while under the influence of drugs and/or alcohol.
- Do not operate the Night Owl when you are restless or sleepy.
- Use your best judgment to keep yourself out of dangerous situations with your Night Owl.
- Do not ride your Night Owl scooter off of curbs, ramps, or attempt to operate in a skate park, empty pool, or in any way similar to a skateboard. Misuse of your Night Owl, voids the manufacturer warranty and may lead to injury or damage.
- Do not abuse your Night Owl, doing so can damage your unit and cause failure to the operating system which may lead to injury. Physical abuse, including dropping your Night Owl scooter, voids the manufacturer warranty.
- Do not operate in or near puddles of water, mud, sand, stones, gravel, debris or near rough and rugged terrain.
- The Night Owl is recommended to be used on paved surfaces that are flat and even. If you encounter uneven pavement, please exercise caution when using your Night Owl scooter. To avoid damage to your Night Owl scooter and or falling please go around large obstacles.
- Do not ride in inclement weather: snow, rain, hail, sleet, on icy roads or in extreme heat or cold.
- If you are unsure if you can safely ride on a specific terrain, step off and carry your Night Owl. ALWAYS BE CAUTIOUS.
- Do not attempt to ride over bumps or objects greater than ½ in. even when prepared and bending your knees.
- PAY ATTENTION - look at where you are riding and be conscious

of the road conditions, people, places, property and objects around you.

- Do not operate the Night Owl scooter in crowded areas.
- Operate your Night Owl scooter with extreme caution when indoors, especially around people, property, and narrow spaces.
- Do not operate the Night Owl while talking, texting, or looking at your phone.
- Do not ride your Night Owl scooter where it is not permitted.
- Do not ride your Night Owl near motor vehicles or on public roads.
- Do not use it to travel up or down steep hills.
- The Night Owl is intended for use by a single individual, DO NOT attempt to operate the Night Owl with two or more people.
- Do not carry anything while riding the Night Owl scooter.
- Individuals with lack of balance should not attempt to operate the Night Owl scooter.
- Pregnant women should not operate the Night Owl scooter.
- Young children and the elderly should not operate the Night Owl.
- At higher speeds, always take into consideration longer stopping distances.
- Do not attempt to jump on or off your Night Owl scooter.
- Do not attempt any stunts or tricks with your Night Owl scooter.
- Do not ride the Night Owl in dark or poorly lit areas.
- Do not ride the Night Owl near or over potholes, cracks or uneven pavement or surfaces.
- Exercise caution when you operate your Night Owl scooter off-road. The Night Owl scooter does have off road capabilities however, it is not recommended for use in puddles or wet conditions.
- Do not turn sharply, especially at high speeds.

- Do not exceed the maximum or minimum weight limits.
- Avoid driving the Night Owl in unsafe places, including near areas with flammable gas, steam, liquid, dust, fiber, which could cause fire and explosion accidents.
- Do not operate near swimming pools or other bodies of water.
- Keep safe brake distance during wet weather.

TIPS FOR BETTER RIDING EXPERIENCE

Be cautious when you ride. You can prevent many accidents if you use common sense.

- Ensure you have had enough practice with all functions and features of your Night Owl before taking it out for a ride.
- Start slow, then increase speed when you are comfortable. Remember that increased speed also amplifies the bumps in the road.
- Bend your knees when riding on bumpy or uneven pavement to absorb the shock and vibration and help you keep your balance.
- It is recommended that you try your scooter on a flat smooth surfaces first before taking it out on the road.

PRE-RIDE CHECKLIST

- Before each cycle of operation, the operator shall perform the pre-operation checks specified below:
- That the braking system is functioning properly.
- That all safety labels are in place and understood by the Operator.
- That any and all axle guards, chain guards, or other covers or guards supplied by the manufacturer are in place and in working condition.
- That tires are in good condition, inflated properly, and have sufficient tread remaining.
- That the area that the unit is to be operated in is safe and suitable for safe operation.
- Ensure the battery is fully charged before riding your scooter.
- Make sure to wear comfortable clothes and flat closed-toe shoes when operating your scooter.
- Ensure that your Night Owl is in proper working order each and every time you ride. If a part of the Night Owl scooter does not function correctly, please contact our customer support team.

Please be sure to read the Operation Manual, which will explain the basic working principles and provide tips on how to best enjoy your experience.

It is important that you fully understand all elements of your Night Owl scooter. If these elements are not used correctly, you will not have full control of your Night Owl. Before you ride, learn the functions of the various mechanisms on your scooter.

Practice using these elements of your Night Owl at slower speeds in a flat, open area before taking the scooter out in public areas.

WARNING

If Night Owl Scooter does not work properly can cause serious injuries. Do not ride an Night Owl with a part that is damaged; replace the damaged part before riding.



@RideHover1



@RideHover1



@RideHover1



www.Hover-1.com

BATTERY CARE / MAINTENANCE

BATTERY SPECIFICATIONS

Battery Type: Rechargeable lithium-ion battery

Charge Time: Up to 10 hours

Battery Voltage: 52 V

Battery Capacity: 18 Ah

Working Temperature: 32°F - 104°F

Charging Temperature: 50°F - 104°F

Storage Time: 1 year

Storage Temperature: -4°F - 104°F

Storage Humidity: 5% - 95%

BATTERY MAINTENANCE

To maintain longevity of your Night Owl scooter when not in use, it is recommended to recharge the battery minimum every 2 months to maintain the battery life.

The lithium-ion battery is built into the scooter. Do not disassemble the scooter to remove the battery or attempt to separate it from the scooter.

- When charging the scooter, please use the enclosed 1-pin charging cable or otherwise ensure that the battery charging conditions are met.
- Do not connect or attach the scooter or the battery to a power supply plug or directly to a car's cigarette lighter.
- Do not place the scooter or batteries near a fire, or into direct sunlight. Heating the scooter and/or the battery can cause additional heating, braking, or ignition of the battery inside the scooter.
- Do not continue charging the battery if it does not recharge within the specified charging time. Doing so may cause the battery to become hot, rupture, and or ignite.

CAUTION

Only use the included charging cable and charger to charge your Hover-1 Night Owl. Using any other unauthorized charger may damage your Hover-1 Night Owl.

FCC STATEMENT

NOTE: This equipment has been tested and found to comply with the limits for a Class B digital scooter, pursuant to part 15 of the FCC Rules. These limits are designed to provide reasonable protection against harmful interference in a residential installation. This equipment generates uses and can radiate radio frequency energy and, if not installed and used in accordance with the instructions, may cause harmful interference to radio communications. However, there is no guarantee that interference will not occur in a particular installation. If this equipment does cause harmful interference to radio or television reception, which can be determined by turning the equipment off and on, the user is encouraged to try to correct the interference by one or more of the following measures:

- Reorient or relocate the receiving antenna.
- Increase the separation between the equipment and receiver.
- Connect the equipment into an outlet on a circuit different from that to which the receiver is connected.
- Consult the dealer or an experienced technician for help.

Changes or modifications not expressly approved by the party responsible for compliance could void the user's authority to operate the equipment.

This scooter complies with Part 15 of the FCC Rules. Operation is subject to the following two conditions:

(1) This scooter may not cause harmful interference, and (2) this scooter must accept any interference received, including interference that may cause undesired operation.

WARRANTY

For warranty information, Please visit us at:
www.hover-1.com

Error codes	Error code E1 - accelerator failure, the accelerator needs to be replaced
	Error code E2 - controller / instrument communication failure, the controller needs to be replaced
	Error code E3 - battery over-voltage protection, the battery needs to be replaced
	Error code E4 - brake failure, the brake needs to be replaced

Manufacturer: DGL Group, Ltd.
195 Raritan Center Parkway Edison, NJ 08837

Affix Serial Number Label Here: